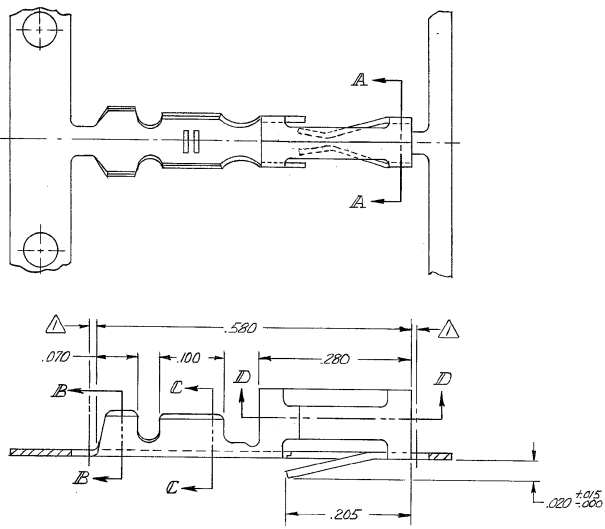


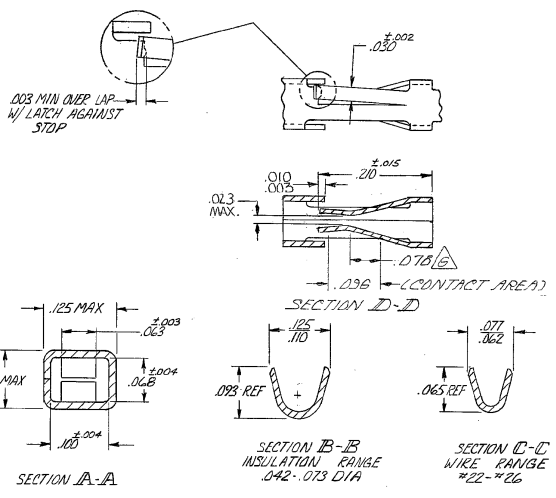
DRAWING MADE IN THIRD ANGLE PROJECTION

© COPYRIGHT 1978 BY AMP INCORPORATED, HARRISBURG, PA.
 ALL INTERNATIONAL RIGHTS RESERVED. AMP INCORPORATED PRODUCTS
 COVERED BY U. S. AND FOREIGN PATENTS AND/OR PATENTS PENDING.

REVOLUTIONS		DATE	APPROVED
P	F		
H	REV PER 003C-0026-05	2/24/80	DS



- △ .010 MAX CUT-OFF TAB FOR LOOSE PIECE.
- △ GOLD FLASH OVER .000050 NICKEL ENTIRE CONTACT, .000015 GOLD ON CONTACT AREA
- △ GOLD FLASH OVER .000050 NICKEL ENTIRE CONTACT .000030 GOLD ON CONTACT AREA.
- △ .000016 MIN. TIN.
- △ LUBRICATED
- △ POINT OF MEASUREMENT FOR FLATTING THICKNESS.
- △ .000015 GOLD ON CONTACT AREA .000050-.000100 BRIGHT TIN-LEAD ON TERMINATION AREA, ALL OVER .000050 NICKEL ENTIRE TERMINAL.
- △ .000030 GOLD ON CONTACT AREA, .000050-.000100 BRIGHT TIN-LEAD ON TERMINATION AREA, ALL OVER .000050 NICKEL ENTIRE TERMINAL.
- △ OBSOLETE PART NUMBER.



△	△	102106-5	102102-7
△	△	102106-4	102102-6
△	△	102106-3	102102-5
△	△	102106-2	102102-2
△	△	102106-1	102102-1
FINISH	LOOSE PIECE P/N	PART NO	

UNLESS OTHERWISE SPECIFIED DIMENSIONS ARE IN INCHES.		CONTRACT NO	
TOLERANCES ON: DECIMALS ± .005 ANGLES ± —		DR <i>R. Bedwin 4-12-78</i>	
MATERIAL PHOS. BRONZE		NAME CONTACT, MOD I, RECEPTACLE, CRIMP SWAP-IN, HIGH PRESSURE, #22 - #26 AWG, SIDE FEED	
FINISH SEE TABLE		APPR <i>St. Summer</i> 4/23/78 APPD <i>Bedwin</i> 5/1/78	
OTHER APPD		DSGN APPD	
SCALE		SIZE C	CODE IDENT NO/DRAWING NO 00779 102102
		SHEET	

CUSTOMER DRAWING X