

4

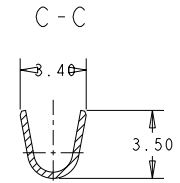
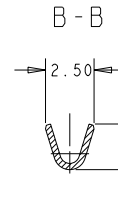
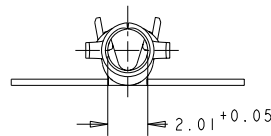
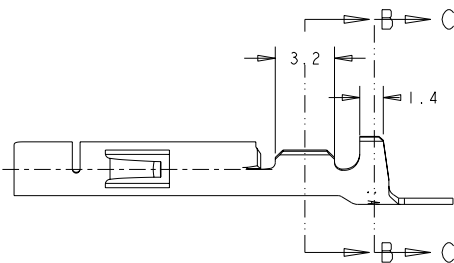
3

2

1

THIS DRAWING IS UNPUBLISHED. RELEASED FOR PUBLICATION 2005  
 © COPYRIGHT 2005 BY TYCO ELECTRONICS CORPORATION. ALL RIGHTS RESERVED.

LOC	DIST	REVISIONS			
P	LTR	DESCRIPTION	DATE	DWN	APVD
J		REDRAWN	24MAR2009	JS	PEG



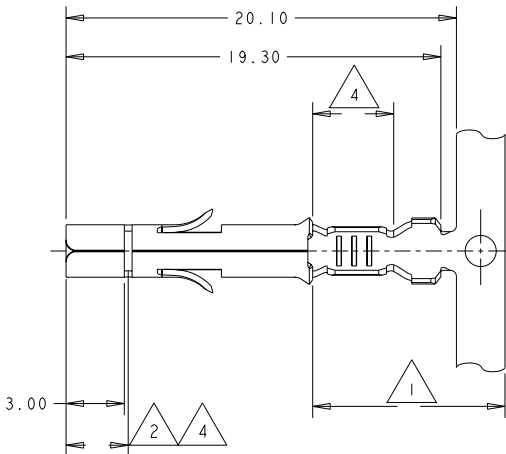
NOTES:

Bemerkungen:

- 1 2-6µm Sn OVER Ni IN CRIMP-AREA  
2-6µm Sn über Ni in der Crimpzone
- 2 0.8µm Au OVER Ni IN CONTACT-AREA  
0.8µm Au über Ni in der Kontaktzone
- 3 SUITABLE FOR Ø1.0-2.5mm  
Für Isolations Ø1.0-2.5mm geeignet
- 4 0.8µm Au OVER 1.3µm Ni ON INSIDE OF WIRE BARREL AND CONTACT AREA  
0.8µm Au über 1.3µm Ni in der Drahtcrimp und Kontaktzonen, sonst 1.3µm Ni

LOOSE PIECE	PART NO.	MATERIAL	FINISH
926895-7	926884-7	CuZn30	1 2
926895-6	926884-6	CuSn4	1 2
926895-3	926884-3	CuSn4	PRE-TIN
<del>926895-2</del>	<del>926884-2</del>	<del>CuZn30</del>	<del>4</del>
926895-1	926884-1	CuZn30	PRE-TIN

OBSOLETE



<small>THIS DRAWING IS A CONTROLLED DOCUMENT FOR TYCO ELECTRONICS CORPORATION          IT IS SUBJECT TO CHANGE AND THE CONTROLLING ENGINEERING ORGANIZATION          SHOULD BE CONTACTED FOR THE LATEST REVISION.</small>		DWN J. Skoda 07NOV2005 CHK R. Vlcek APVD -	Tyco Electronics Tyco Electronics AMP España, S.A. Barcelona, Spain.
DIMENSIONS: mm	TOLERANCES UNLESS OTHERWISE SPECIFIED: 0 PLC ±0.2 1 PLC ±0.2 2 PLC ±0.2 3 PLC ± 4 PLC ± ANGLES ±1°	PRODUCT SPEC 108-1031 APPLICATION SPEC 114-18011 WEIGHT -	NAME UNIVERSAL MNL SOCKET 0.2-0.8 mm2 WIRE RANGE SIZE CAGE CODE DRAWING NO A3 00779 C-926884 RESTRICTED TO -
MATERIAL SEE TABLE	FINISH SEE TABLE	CUSTOMER DRAWING SCALE 5:1 SHEET 1 OF 1 REV J	