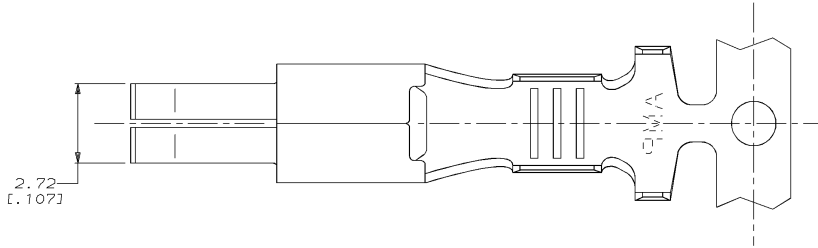
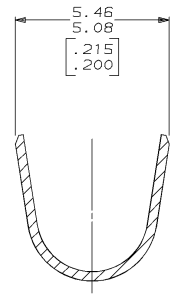
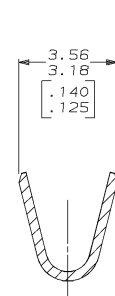
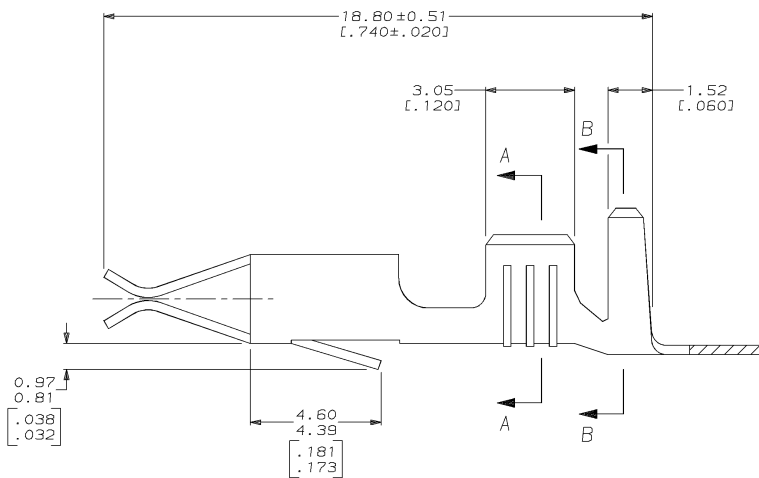


THIS DRAWING IS UNPUBLISHED. RELEASED FOR PUBLICATION .19  
 © COPYRIGHT 19 BY AMP INCORPORATED. ALL INTERNATIONAL RIGHTS RESERVED.

LOC		DIST		ZONE		LTR		REVISIONS		DATE	APPD
AF	50	P	F					G	REV PER 0710-0427-95	27/SEP/95	PF DS



1. THIS IS THE DOMESTIC VERSION OF THE GERMAN PART NO. 925595.
2. WIRE RANGE: 0.8 - 2 mm<sup>2</sup> [18 - 14 AWG].
3. INSULATION RANGE: 3.05 - 4.32 [.120 - .170] DIA.
4. DIMENSIONS IN BRACKETS ARE IN INCHES.



SECTION A-A

SECTION B-B

FINISH	MATERIAL	PART NO
PRE-TIN	0.30 [.012] PH BRZ	643221-2
PRE-TIN	0.30 [.012] BRASS	643221-1

DO NOT SCALE PRINT. UNLESS SPECIFIED DIMENSIONS IN mm [INCHES] TOLERANCES ON: 2 PLC DEC ±0.13 (.005) 3 PLC DEC ± ANGLES ±		DR 4-12-93 T. BECK	<b>AMP</b> AMP Incorporated Harrisburg, PA 17105-3608	
MATERIAL SEE TABLE		CHK 4-12-93 R. SWING		
FINISH SEE TABLE		APPD 10-6-93 G. MARTIN	SIZE C 00779	DRAWING NO C-643221
		PRODUCT SPEC -	SCALE 10:1	SHEET 1 OF 1
		APPLICATION SPEC -	CUSTOMER DRAWING	
		WEIGHT -		

**METRIC**

THIS DRAWING IS A CONTROLLED DOCUMENT FOR AMP INCORPORATED. IT IS SUBJECT TO CHANGE AND THE CONTROLLING ENGINEERING ORGANIZATION SHOULD BE CONTACTED FOR THE LATEST REVISION.

643221

A