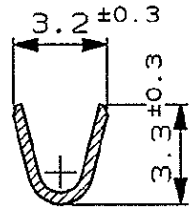


SCALA NON IMPEGNATIVA  
(DO NOT SCALE)  
DIMENSIONI IN mm  
(DIMENSIONS IN)

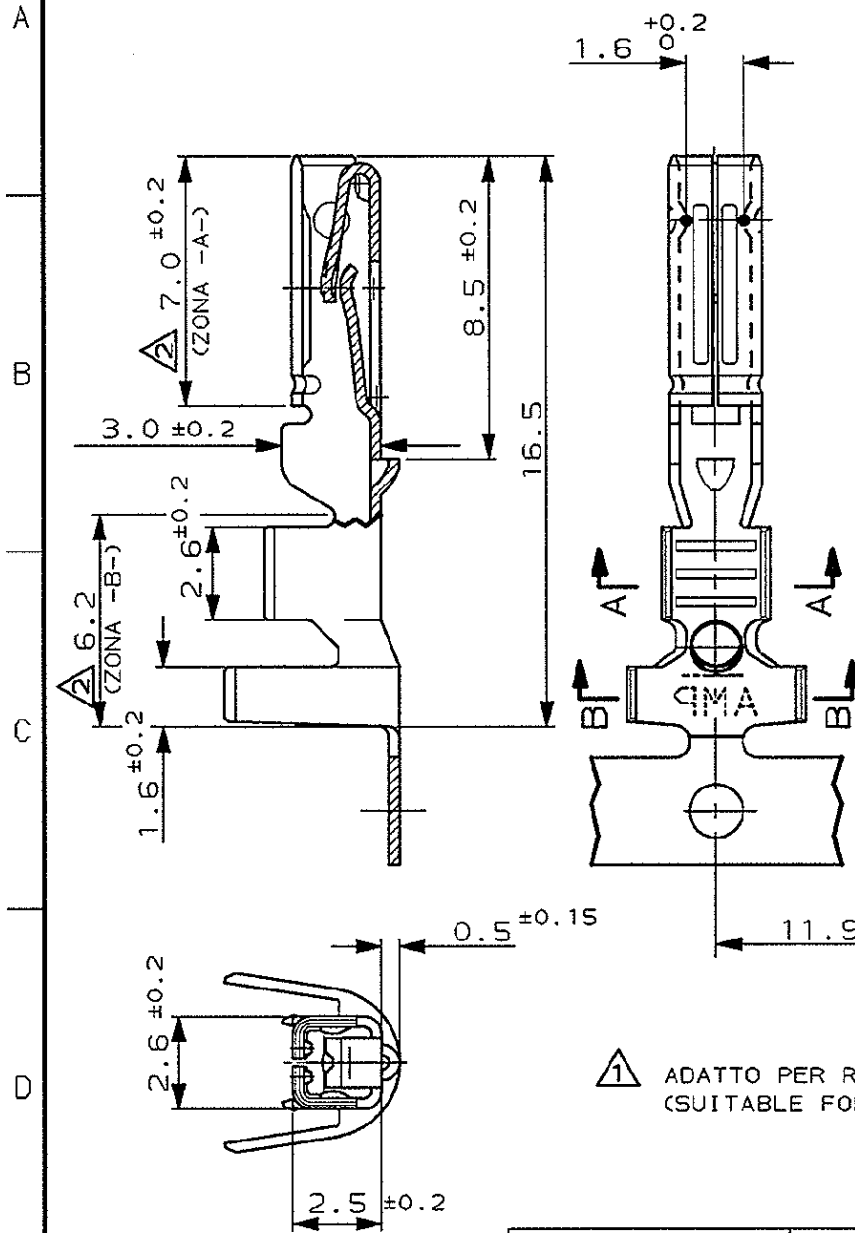
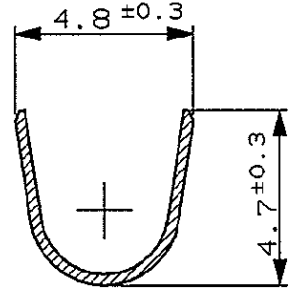
**METRIC**

PROIEZIONE EUROPEA  
(EUROPEAN PROJECTION)

PART. SECT. A-A



PART. SECT. B-B



△ ADATTO PER RUBBER PLUG 281934-...  
(SUITABLE FOR WIRE SEAL 281934-...)

PRE-STAGNATO/PRE-TIN	BRONZO FOSF./PH. BRONZE	282110-1
FINITURA / COLORE (FINISH / COLOUR)	MATERIALE (MATERIAL)	NUMERO (PART NUMBER)

CUSTOMER DRAWING FOR REFERENCE ONLY      DISEGNO PER CLIENTE SOLO PER RIFERIMENTO

THIS DRAWING IS UNPUBLISHED      RELEASE FOR PUBLICATION      1990

© COPYRIGHT 1990 BY AMP INCORPORATED, HARRISBURG, PA. ALL INTERNATIONAL RIGHT RESERVED. AMP PRODUCTS MAY BE COVERED BY U.S. AND FOREIGN PATENT AND/OR PATENT PENDING

D	REVISED FOR ET00-0054-04	M.G.	10 MAR 92
A3	REVISED FOR ET00-0160-99	M.G.	12 MAY 99
A2	UPDATED ET00-0193-98	R.R.	03 JUL 98
A1	REVISED FOR ET00-0072-98	M.P.	07 APR 98
A	MODIFIED WIRE BARREL DIMENSIONS (ET00-0131-94)	C.B.	28 APR 94
4	UP-DATED	C.B.	10 92
3	UP-DATED WIRE RANGE	JUN.	92
2	UP-DATED WIRE RANGE	JUN.	91
1	UP-DATED	NOV.	90
REV.	REVISIONI (REVISION RECORD)	DIS. DATA (DATE)	

TOLLERANZE, SE NON DIVERSAMENTE SPECIFICATO (TOLERANCES, UNLESS OTHERWISE SPECIFIED)	DIAM. ISOLANTE (INS. DIA. RANGE)	RANGO FILO (WIRE RANGE)	SCALA (SCALE)
± 0.3	△	0.75-1.5mm <sup>2</sup>	5:1
ANGOLI (ANGLES)	AMP      AMP ITALIA S.p.A. Corso F.lli Cervi, 15 COLLEGGNO (TORINO)		
± 2°			

DISTRIBUZIONE (PRINT DIST.)

DESCRIZIONE (DESCRIPTION)	LOC.	SIZE	NUMERO (DWG NO)	REV.	FOGLIO (SHEET)
Bassano	I	A4	C-282110	D	1 OF 1
CONT. (CHK)	9 NOV. 90				
Bertini					
APP. (APP.)					