

4

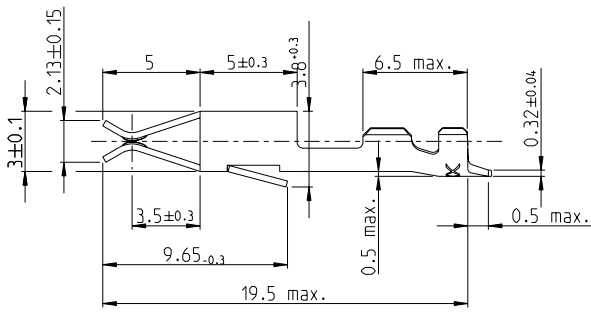
3

2

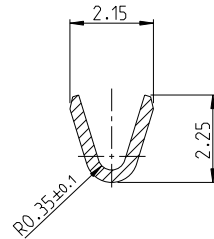
1

THIS DRAWING IS UNPUBLISHED. RELEASED FOR PUBLICATION 2009
 © COPYRIGHT 2009 BY TYCO ELECTRONICS CORPORATION. ALL INTERNATIONAL RIGHTS RESERVED.

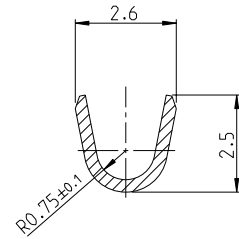
LOC	DIST	REVISIONS					
		P	LTR	DESCRIPTION	DATE	DWN	APVD
A1	-	1		Benennung geändert	13DEC1984	-	-
		2		Zeichnungskorrektur	30JAN1985	Wid	-
		3		DGB erweitert	07AUG1986	Wid	-
		B1		Pro/E-Drawing. Material bei -2 geändert	31AUG2009	Frue	Brun



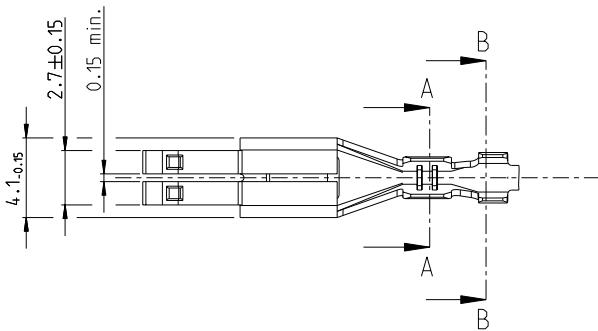
A-A
10:1



B-B
10:1



WIRE SIZE RANGE: 0.2 - 0.5mm²
 Drahtgroßenbereich: 0.2 - 0.5mm²



927872-4	927871-4	CuZn30	PRESILVER PLATED
927872-2	927871-2	CuSn4	PRE-TINNED
927872-1	927871-1	CuZn30	PRE-TINNED
LOOSE PIECE	PART NO.	MATERIAL	FINISH

<small>THIS DRAWING IS A CONTROLLED DOCUMENT FOR TYCO ELECTRONICS CORPORATION IT IS SUBJECT TO CHANGE AND THE CONTROLLING ENGINEERING ORGANIZATION SHOULD BE CONTACTED FOR THE LATEST REVISION.</small>		DWN: 11SEP1984 J. Widder CHK: 12SEP1984 Herth APVD: - NAME:	Tyco Electronics Tyco Electronics AMP GmbH 64625 Bensheim (Germany)
DIMENSIONS: mm 	TOLERANCES UNLESS OTHERWISE SPECIFIED: 0 PLC ± 1 PLC ± 2 PLC ± ±0.2 3 PLC ± 4 PLC ± ANGLES ° FINISH -	PRODUCT SPEC 108-18053 APPLICATION SPEC 114-18079	JUNIOR-TIMER CONTACT Junior-Timer Kontakt
MATERIAL	FINISH	SIZE: A3 CAGE CODE: 00779 DRAWING NO: ©-927871	RESTRICTED TO -
CUSTOMER DRAWING		SCALE: 5:1	SHEET 1 OF 1 REV B1