

4

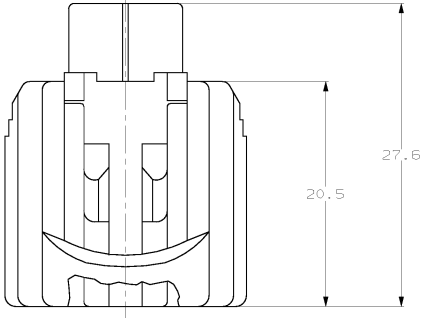
3

2

1

THIS DRAWING IS UNPUBLISHED. RELEASED FOR PUBLICATION
(C) COPYRIGHT IS BY AMP INCORPORATED. ALL RIGHTS RESERVED.

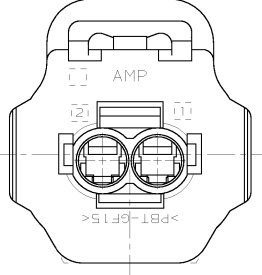
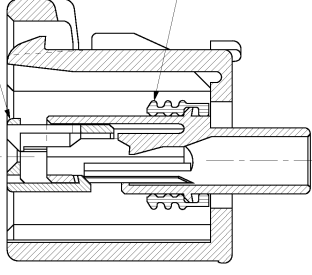
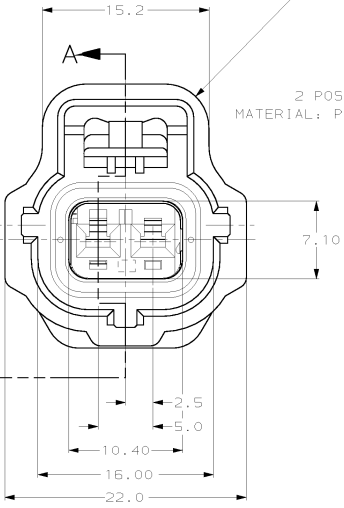
REV. NO.		REVISIONS			
REV.	NO.	DESCRIPTION	DATE	BY	APP'D.
	G	16			
O		RELEASED, WAS 92-4072-2313-1	-	-	-
A		REV PER ECN 0720-0290-94	9/30/94	KDL	JPK
B		REV PER ECN 0720-0446-94	12/16/94	KW	JK
C		REV PER ECN 0K50-0003-96	08/13/96	KW	JK
D		REV PER ECN 0K20-0004-97	02/10/97	KL	JK
E		REV PER EC# 0K40-0140-00	6-28-00	PC	GI



2 POSN PLUG
MATERIAL: PBT, 15% GLASS FILLED

2 POSN. DOUBLE LOCK PLATE
MATERIAL: PBT, 15% GLASS FILLED

SEAL RING
MATERIAL: SILICONE RUBBER



KEYING TYPE A

NATURAL		184000-3
BLACK		184000-1
PLUG COLOR		PART NO
AMP Incorporated Harrisburg, PA 17105-3608		
AMP		
1 X 2 PLG ASY KEY A-C3		
SIZE	DATE CODE	MARKING NO
A2	00779	©=184000
CUSTOMER DRAWING		SCALE 4:1 SHEET 1 OF 1 REV F

AMP 1471-9 REV 10/93
13-MAR-97 08:20:32 amp24764/home/ssr/v02to/dsk01/dept1135/amp24764/edmod