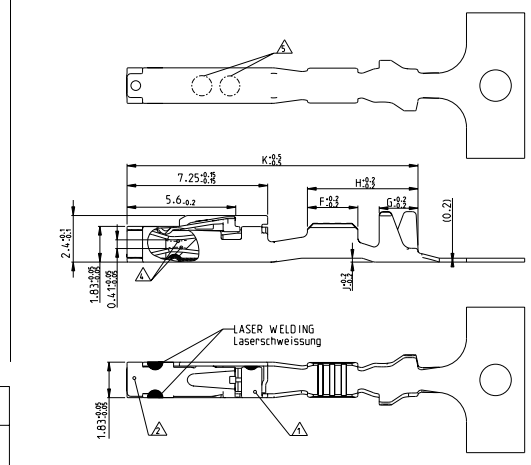
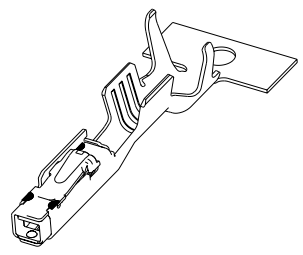
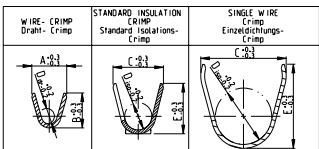


SINGLE WIRE SEALING SYSTEM
 Einzelleiter-Dichtungs-System



REV	DATE	DESCRIPTION	BY	CHK
A1	-	INITIAL RELEASE	STREIBER	BM
B2	-	CONTACT NAME CHANGE (WAS AMP MCP 1.2)	STREIBER	BM
B3	-	Correction of Note 4	STREIBER	P.M.
B4	-	Pin 6-MS9532-2 ADDED	STREIBER	P.M.
C1	-	TECHNICAL UPDATE	STREIBER	P.M.



PART NO.	REV.	DESCRIPTION	MATERIAL	SURFACE	WIRE SIZE RANGE	INSULATION DIAMETER	WIRE CRIMP	INSULATION CRIMP	FORM	Ø3.55 (mm)	Ø3.95 (mm)	WIRE APPLICATION	EXTRACTION TOOL	REVISIONS							
														DATE	BY	CHK					
1452663-3	-	1452663-3	CuNi30Si	SILVER PLATED	0.14 - 0.22	1.05 - 1.2	1.5	1.5	0.65	4.2	4.3	2.6	2.0	6.4	0.8	16	967067-2	963142-2	1528160	4-1579001-8	
1452662-2	-	1452662-2	CuNi30Si	GOLD PLATED	0.22 - 0.25	1.1 - 1.2	1.8	1.8	0.8	4.2	4.3	2.6	2.0	6.4	0.8	16	967067-2	963142-2	1528161	4-1579001-7	
1452665-3	B	1452666-3	CuNi30Si	SILVER PLATED	0.25 - 0.35	1.1 - 1.75	1.8	1.8	0.8	4.2	4.3	2.6	2.0	6.4	0.8	16	967067-1	963142-2	1528162	4-1579001-6	
1452668-3	C	1452669-3	CuNi30Si	GOLD PLATED	0.5 - 0.75	1.4 - 1.9	2.0	2.1	1.1	4.2	4.3	2.7	2.6	2.0	6.4	0.8	16	967067-1	963142-2	1528163	4-1579001-5
1452671-3	B	1452672-3	CuNi30Si	SILVER PLATED	1 - 1.5	1.9 - 2.4	2.6	2.9	1.35	4.4	4.3	2.9	3.0	2.0	6.8	0.8	16.5	967067-1	-	1528155	4-1579001-4
1452653-3	B	1452654-3	CuNi30Si	GOLD PLATED	0.14 - 0.22	1.05 - 1.2	1.5	1.5	0.65	2.0	2.0	1.1	2.6	2.0	5.7	0	15	-	-	1528156	4-1579001-3
6-1452656-2	A	6-1452657-2	CuNi30Si	SILVER PLATED	0.5 - 0.75	1.4 - 1.9	2.0	2.1	1.1	2.7	2.9	1.6	3.0	2.0	6.1	0.2	16	-	-	1528157	4-1579001-2
1452659-3	B	1452660-3	CuNi30Si	GOLD PLATED	1 - 1.5	1.9 - 2.4	2.6	2.9	1.35	3.7	3.9	2.1	3.0	2.0	6.1	0.2	16	-	-	1528159	4-1579001-1

NOTES

- △ BODY
- △ SPRING
- △ ONLY FOR FLR-WIRE SEE DIN 72551, PART 6 AND AWG WIRE ACCORDING IEC-SPEC: MS-8288 ; MS-7889 ; MS-9532
- △ SURFACE
 - a) BODY
 - PRE TIN 1 TO 3 µm
 - b) SPRING / Kontaktfeder
 - PRE TIN SnAg 1 TO 3 µm
 - GOLD PLATED MIN. 0.8 µm (only contact area)
 - SILVER PLATED 2 TO 5 µm (only contact area)
- △ STAMPED INDICATOR FOR PLATING:
 - A GOLD PLATING
 - U SILVER PLATING
 - G TIN PLATING WITHOUT INDICATOR
 - verzinkt: ohne Markierung
- △ FILLED WITH NYGEL IN CONTACT AREA
- 7 TO BE USED ON TAB 1.2±0.1 x 0.6±0.03 MM

Bemerkungen

- △ Kontaktkoerper
- △ Kontaktfeder
- △ Nur fuer FLR-Leitung nach DIN 72551, Teil 6 und AWG Leitung nach IEC-SPEC: MS-8288 ; MS-7889 ; MS-9532
- △ Oberflaeche
 - a) Kontaktkoerper
 - verzinkt: 1 bis 3 µm
 - b) Kontaktfeder
 - verzinkt SnAg 1 bis 3 µm
 - galv. vergoldet min. 0.8 µm (nur Kontaktzone)
 - galv. versilbert 2 bis 5 µm (nur Kontaktzone)
- △ Markierung fuer galvanische Ausfuehrung:
 - A vergoldet
 - U versilbert
 - G verzinkt: ohne Markierung
- △ Kontaktierungsbereich gefuellt mit Nyogel
- 7 Geeignet fuer Flachslecker 1.2±0.1 x 0.6±0.03 mm

ORDER-NO. STRIP FORM Bestell-Nr. Bandwaere	REV.	ORDER-NO. LOOSE PIECE Einzel- ausfuhrung	REL.	BODY Kontaktkoerper SPRING Kontaktfeder BODY Kontaktkoerper SPRING Kontaktfeder	MATERIAL Werkstoff	SURFACE Oeffentlichkeit	WIRE SIZE RANGE Leitergruesen mit Isolationsdurchmesser	INSULATION CRIMP Isolationsring	FORM FORM/Bandwaere	Ø3.55 (mm)	Ø3.95 (mm)	SINGLE WIRE SEAL FOR CAVITY DIAMETER Einzeldichtung fuer Kavitae durchmesser AMP No.	WIRE APPLICATION 150 Basis Crimp Werkzeuge	EXTRACTION TOOL Ausdruckwerkzeug	DATE 30JAN2003	BY STREIBER	CHK BM	145 Electronics AMP Order 0 - 8425 Bremen	MCON-1.2 LL (LOCKING-LANCE) MCON-1.2 LL (RASTFEDER)	STATE CASE CODE (Bestell-Nr. Bandwaere)	00779 (S)=1452674	REVISIONS	DATE 30JAN2003	BY STREIBER	CHK BM
--	------	--	------	---	--------------------	-------------------------	---	---------------------------------	---------------------	------------	------------	--	--	----------------------------------	----------------	-------------	--------	---	---	---	-------------------	-----------	----------------	-------------	--------