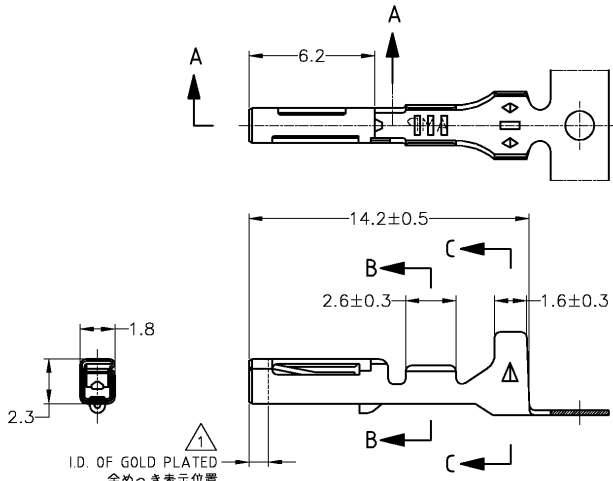
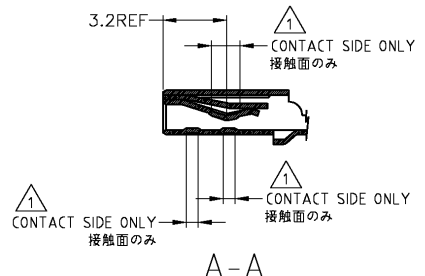
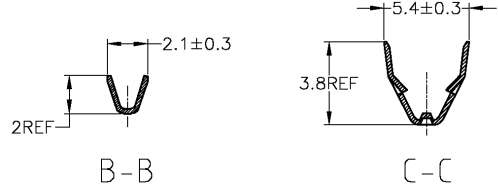


THIS DRAWING IS UNPUBLISHED. RELEASED FOR PUBLICATION
 © COPYRIGHT BY TYCO ELECTRONICS CORPORATION. ALL RIGHTS RESERVED.

LOC	DIST	REVISIONS					
J	-	P	LTR	DESCRIPTION	DATE	DWN	APVD
		E3	REVISED	ECR-06-018497	07AUG06	SM	KB



注:
 △部分金めっき
 NOTE:
 △SELECTIVE GOLD



SEE DRAWING 173681-6		173681-6
175062-2	SELECTIVE GOLD	173681-2
175062-1	PRE-TINNED	173681-1
LOOSE PIECES NUMBER	FINISH	PART NUMBER
WIRE RANGE (総合電線断面積) 0.3~0.56mm ² (AWG#22~20)		INSULATION DIA. (被覆外径) 1.8~2 mmφ

TOLERANCES UNLESS OTHERWISE SPECIFIED:

一般公差	
10 >	±0.2
30 > > 10	±0.25
100 >	±0.3
ANGLE	±3°

THIS DRAWING IS A CONTROLLED DOCUMENT.

DIMENSIONS: 単位: 純 mm	TOLERANCES UNLESS OTHERWISE SPECIFIED: 一般公差
	0 PLC ±
	1 PLC ±
	2 PLC ±
	3 PLC ±
	4 PLC ±
	ANGLES ±
MATERIAL 材質 PHOS. BRONZE, THK 0.25 りん青銅、板厚: 0.25	FINISH 仕上 SEE TABLE

DWN T. SHINOHARA 25MAY04	Tyco Electronics AMP K.K. Kawasaki, Japan	
CHK K. BETSUI 25MAY04	040 SERIES RECEPTACLE CONTACT	
APVD K. BETSUI 25MAY04	NAME 名称	RESTRICTED TO
PRODUCT SPEC 製品規格	SIZE A3	CAGE CODE 00779
APPLICATION SPEC 取付準備規格	DRAWING NO. 173681	SCALE 尺数 5:1
WEIGHT 0.262	SHEET 1 OF 1	REV E3
CUSTOMER DRAWING		

AMP 1470-19 REV 31MAR2000

S:\AMP-Kawasaki\Automotive\en32_automotive\u.a99-0558\ECR\06-018497\c-173681.dwg