

4

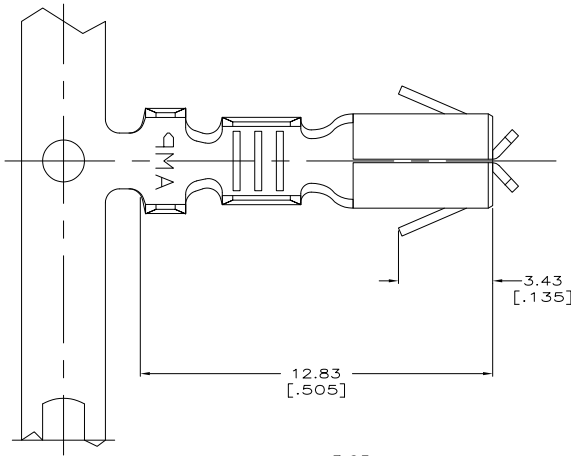
3

2

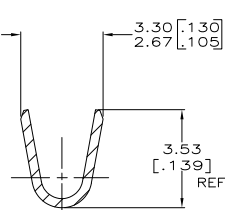
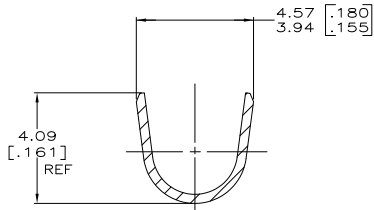
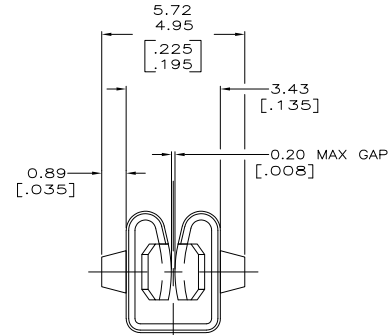
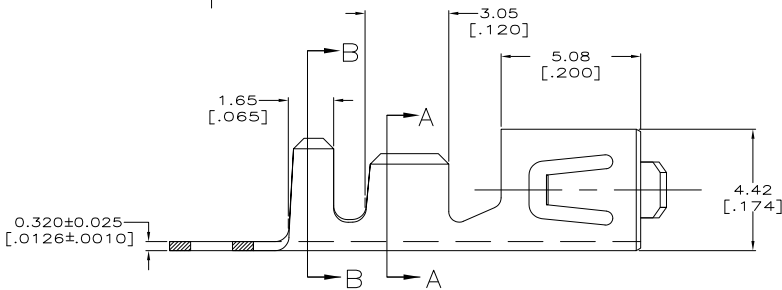
1

THIS DRAWING IS UNPUBLISHED. RELEASED FOR PUBLICATION. BY TYCO ELECTRONICS CORPORATION. ALL RIGHTS RESERVED.

LOC		DIST		REVISIONS			
F	LR	DESCRIPTION	DATE	BY	APP'D		
Y1		REVISED PER ECR-07-008696	04MAY07	HMR	JK		



- 1 CONTINUOUS STRIP ON REELS.
- 2 TERMINAL TO ACCEPT A 0.51 [.020] X 3.18 [.125] TIN PLATED TAB.
- 3 THIS PART TO BE USED WITH HOUSING PART NUMBERS; 480553 AND 480556.
- △ 0.000381 [.000015] MIN PRE-TIN PLATE.
- △ 0.002032 [.000080] MIN POST-TIN PLATE.
- △ PREPRODUCTION - F.A.S.R. REQUIRED.



OBSOLETE	△	H06 BRASS	2.16-3.18 [.085-.125]	#20-#14 AWG	61603-5
OBSOLETE	NONE	SPRING COPPER	2.16-3.18 [.085-.125]	#20-#14 AWG	61603-4
OBSOLETE	△	SPRING COPPER	2.16-3.18 [.085-.125]	#20-#14 AWG	61603-3
OBSOLETE	NONE	H06 BRASS	2.16-3.18 [.085-.125]	#20-#14 AWG	61603-2
	△	H06 BRASS	2.16-3.18 [.085-.125]	#20-#14 AWG	61603-1
FINISH		MATERIAL	INSULATION RANGE	WIRE RANGE	PART NUMBER

THIS DRAWING IS A CONTROLLED DOCUMENT.		DATE: 25AUG2000	TYCO Electronics Corporation
DRAWN BY: MICHAEL S. FEHR		CHK: DONALD DECKER	Harrisburg, Pa 17105-3608
APPROVED BY: DONALD DECKER		DATE: 25AUG2000	NAME: DONALD DECKER
DIMENSIONS: mm [INCHES]		TOLERANCES UNLESS OTHERWISE SPECIFIED:	
0 PL	± .005		
1 PL	± .005		
2 PL	± .005		
3 PL	± .005		
4 PL	± .005		
ANGLES	± .005		
MATERIAL: H06 BRASS		APPLICATION SPEC: -	SIZE: 00779
FINISH: PRE-TIN PLATE		HEIGHT: -	DATE: 00779
		CUSTOMER DRAWING	SCALE: 10:1
			SHEET: 1 OF 1
			REV: Y1

AMP 1471-9 REV 31MM2000

61603

A

D

C

B

A

1

D

C

B

A

1

D

C

B

A

1

D

C

B

A

1

D

C

B

A

1

D

C

B

A

1

D

C

B

A

1

D

C

B

A

1

D

C

B

A

1

D

C

B

A

1

D

C

B

A

1

D

C

B

A

1

D

C

B

A

1

D

C

B

A

1

D

C

B

A

1

D

C

B

A

1

D

C

B

A

1

D

C

B

A

1

D

C

B

A

1

D

C

B

A

1

D

C

B

A

1

D

C

B

A

1

D

C

B

A

1

D

C

B

A

1

D

C

B

A

1

D

C

B

A

1

D

C

B

A

1

D

C

B

A

1

D

C

B

A

1

D

C

B

A

1

D

C

B

A

1

D

C

B

A

1

D

C

B

A

1

D

C

B

A

1

D

C

B

A

1

D

C

B

A

1

D

C

B

A

1

D

C

B

A

1

D

C

B

A

1

D

C

B

A

1

D

C

B

A

1

D

C

B

A

1

D

C

B

A

1

D

C

B

A

1

D

C

B

A

1

D

C

B

A

1

D

C

B

A

1

D

C

B

A

1

D

C

B

A

1

D

C

B

A

1

D

C

B

A

1

D

C

B

A

1

D

C

B

A

1

D

C

B

A

1

D

C

B

A

1

D

C

B

A

1

D

C

B

A

1

D

C

B

A

1

D

C

B