

4

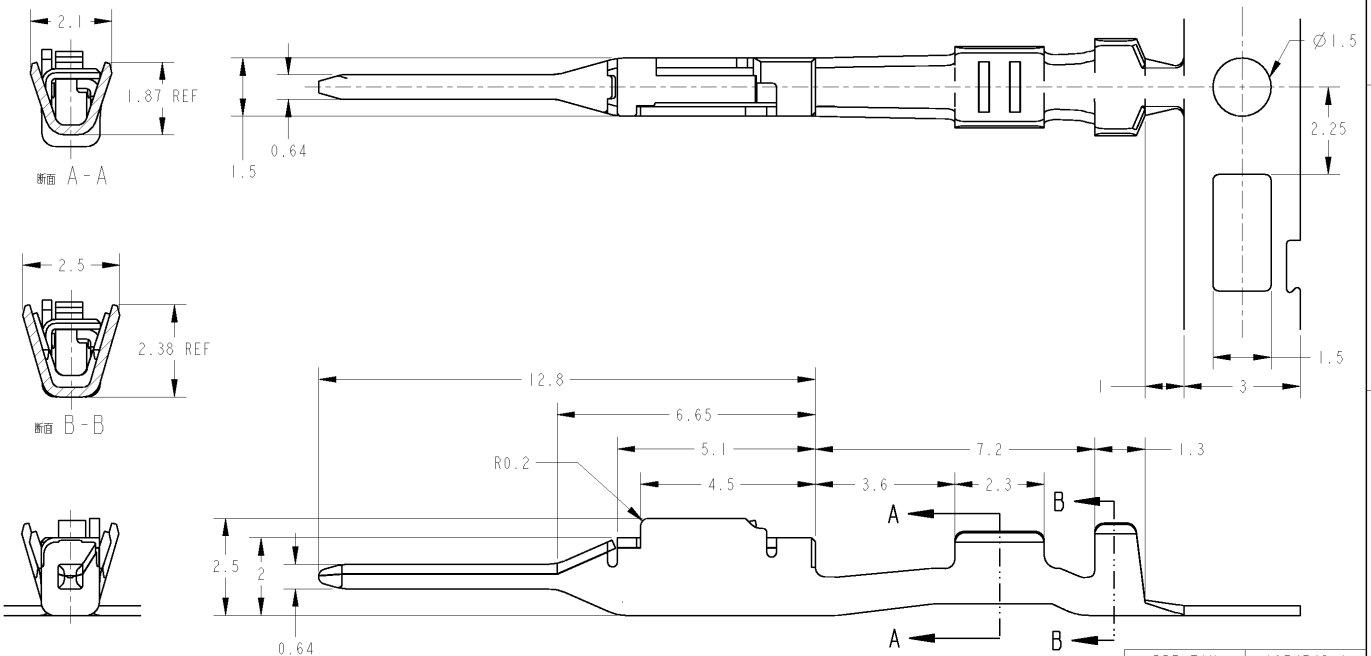
3

2

1

THIS DRAWING IS UNPUBLISHED. RELEASED FOR PUBLICATION
 © COPYRIGHT 20 BY TYCO ELECTRONICS CORPORATION. ALL RIGHTS RESERVED.

LOC	DIST	REVISIONS					
J	-	P	LTR	DESCRIPTION	DATE	DMN	APVD
		0		RELEASED FJAO-0379-03	19JUN2003	S.F	K.S
		01		REVISED ECR-07-021057	19SEP2007	Y.N	Y.F



- 1. 適用電線; AVSS,CAVS,CAVUS,AVSSH-f 0.3~0.5mm²
- 2. アプリアーの送りピッチ; 7.5mm

- 1. APPLICABLE WIRE RANGE;
AVSS,CAVS,CAVUS,AVSSH-f 0.3~0.5mm²
- 2. APPLICATOR FEED; 7.5mm

<small>THIS DRAWING IS A CONTROLLED DOCUMENT FOR TYCO ELECTRONICS CORPORATION IT IS SUBJECT TO CHANGE AND THE CONTROLLING ENGINEERING ORGANIZATION SHOULD BE CONTACTED FOR THE LATEST REVISION.</small>		DWN S. FURUYA 19-JUN-03 CHK T. KOHNO 19-JUN-03 APVD K. SHIMIZU 19-JUN-03	WIRE RANGE 適用電線断面積 0.37~0.56mm ²	INSULATION DIA 適用径 Ø1.1~1.7
DIMENSIONS: 単位: ㎜ mm		TOLERANCES UNLESS OTHERWISE SPECIFIED: 一般値 ±0.3 0-PLC ±0.5 1-PLC ±0.5 2-PLC ±0.13 3-PLC ±0.013 4-PLC ±0.004 ANGLES 寸上 45°00'	Tyco Electronics Tyco Electronics Corporation Kawasaki, Japan	
MATERIAL 材質 COPPER Alloy		APPLICATION SPEC 適用規格 114-5340	NAME 名称 025 TH TAB CONTACT	
SEE TABLE		WEIGHT 重量 0.2g	SIZE 寸法 A3	CAGE CODE 部品番号 00779
CUSTOMER DRAWING		DRAWING NO 図番 C-1674742	RESTRICTED TO 制限 -	
		SCALE 寸法 10:1	SHEET 枚数 1	OF 部数 1
			REV 改訂 01	

AMP 1470-19 REV 31MAR2000

PL01/ENGINEER DRAWING