

4

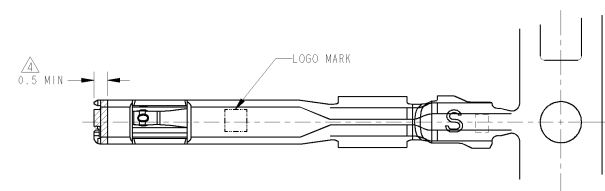
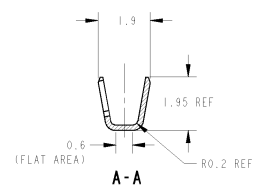
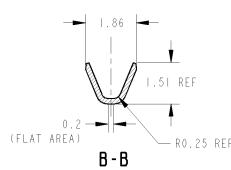
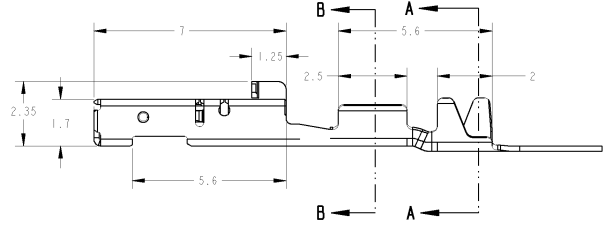
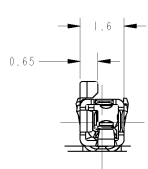
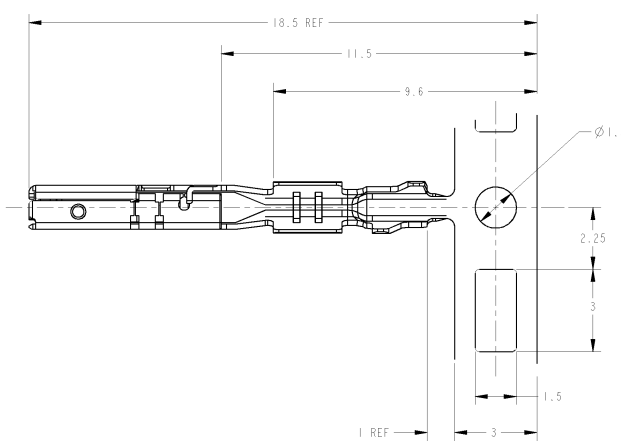
3

2

1

THIS DRAWING IS UNPUBLISHED. RELEASED FOR PUBLICATION
 (C) Copyright © BY TYCO ELECTRONICS CORPORATION. ALL RIGHTS RESERVED.

REV. NO.		REVISIONS			
Y	LYR	DESCRIPTION	EDA	DATE	SWN
0		RELEASED	FJ10-0576-04	24AUG04	YM HY
A		REVISED	ECR-10-005857	24APR10	SF KB



SELECTIVE GOLD,TIN	1674936-2
PRE-TIN	1674936-1
FINISH	TYCO PART NO.

TYCO ELECTRONICS CORPORATION HEAD OFFICE: 1-1-1, HIRAKAWA-CHO, KAWASAKI-CITY, CANTON OF KANAGAWA, JAPAN		SWN	Y. MIITO	24AUG04	
TYCO ELECTRONICS CORPORATION TYCO ELECTRONICS (JAPAN) LTD. 1-1-1, HIRAKAWA-CHO, KAWASAKI-CITY, CANTON OF KANAGAWA, JAPAN		CHK	M. TAMAGAMI	24AUG04	
TYCO ELECTRONICS CORPORATION TYCO ELECTRONICS (JAPAN) LTD. 1-1-1, HIRAKAWA-CHO, KAWASAKI-CITY, CANTON OF KANAGAWA, JAPAN		APP'D	S. ISOGHATA	24AUG04	
TYCO ELECTRONICS CORPORATION TYCO ELECTRONICS (JAPAN) LTD. 1-1-1, HIRAKAWA-CHO, KAWASAKI-CITY, CANTON OF KANAGAWA, JAPAN		DATE	24AUG04		
TYCO ELECTRONICS CORPORATION TYCO ELECTRONICS (JAPAN) LTD. 1-1-1, HIRAKAWA-CHO, KAWASAKI-CITY, CANTON OF KANAGAWA, JAPAN		OPERATED SPEC	0.64111 SERIES CONNECTOR RECEPTACLE CONTACT (S)		
TYCO ELECTRONICS CORPORATION TYCO ELECTRONICS (JAPAN) LTD. 1-1-1, HIRAKAWA-CHO, KAWASAKI-CITY, CANTON OF KANAGAWA, JAPAN		APPLICATOR SPEC	114-5329		
TYCO ELECTRONICS CORPORATION TYCO ELECTRONICS (JAPAN) LTD. 1-1-1, HIRAKAWA-CHO, KAWASAKI-CITY, CANTON OF KANAGAWA, JAPAN		WEIGHT	0.14 g		
TYCO ELECTRONICS CORPORATION TYCO ELECTRONICS (JAPAN) LTD. 1-1-1, HIRAKAWA-CHO, KAWASAKI-CITY, CANTON OF KANAGAWA, JAPAN		MATERIAL	Cu Alloy		
TYCO ELECTRONICS CORPORATION TYCO ELECTRONICS (JAPAN) LTD. 1-1-1, HIRAKAWA-CHO, KAWASAKI-CITY, CANTON OF KANAGAWA, JAPAN		SEE TABLE	CUSTOMER DRAWING		
TYCO ELECTRONICS CORPORATION TYCO ELECTRONICS (JAPAN) LTD. 1-1-1, HIRAKAWA-CHO, KAWASAKI-CITY, CANTON OF KANAGAWA, JAPAN		SIZE	A2		
TYCO ELECTRONICS CORPORATION TYCO ELECTRONICS (JAPAN) LTD. 1-1-1, HIRAKAWA-CHO, KAWASAKI-CITY, CANTON OF KANAGAWA, JAPAN		DATE	200709		
TYCO ELECTRONICS CORPORATION TYCO ELECTRONICS (JAPAN) LTD. 1-1-1, HIRAKAWA-CHO, KAWASAKI-CITY, CANTON OF KANAGAWA, JAPAN		REV	C=1674936		
TYCO ELECTRONICS CORPORATION TYCO ELECTRONICS (JAPAN) LTD. 1-1-1, HIRAKAWA-CHO, KAWASAKI-CITY, CANTON OF KANAGAWA, JAPAN		RESTRICTED	NO		
TYCO ELECTRONICS CORPORATION TYCO ELECTRONICS (JAPAN) LTD. 1-1-1, HIRAKAWA-CHO, KAWASAKI-CITY, CANTON OF KANAGAWA, JAPAN		SHEET	10		
TYCO ELECTRONICS CORPORATION TYCO ELECTRONICS (JAPAN) LTD. 1-1-1, HIRAKAWA-CHO, KAWASAKI-CITY, CANTON OF KANAGAWA, JAPAN		OF	1		
TYCO ELECTRONICS CORPORATION TYCO ELECTRONICS (JAPAN) LTD. 1-1-1, HIRAKAWA-CHO, KAWASAKI-CITY, CANTON OF KANAGAWA, JAPAN		REV	A		

AMP 1471-9 REV 31MAR2009