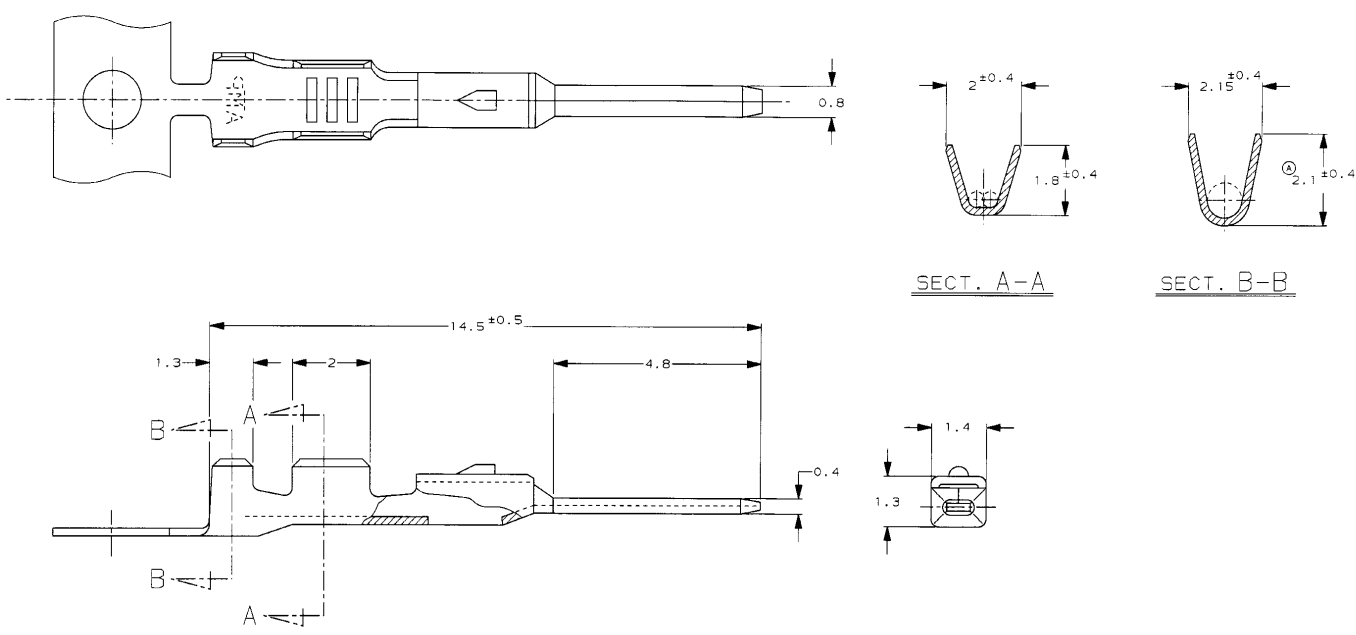


THIS DRAWING IS UNPUBLISHED. RELEASED FOR PUBLICATION
 (C) COPYRIGHT 1994 BY AMP INCORPORATED. ALL RIGHTS RESERVED.

P	LTR	DESCRIPTION	ECN	DATE	DWN	APVD
0		RELEASED	FJ00-3023-95	7/31/95	TS	AT
A		REVISED	FJ00-0253-97	1/20/97	K-3	

— 1 ; 本 ☒



注：
 1. 適用圧着規格番号：114-5193
 NOTES：
 1. APPLICABLE CRIMPING SPEC No.114-5193

THIS DRAWING IS A CONTROLLED DOCUMENT FOR AMP INCORPORATED. IT IS SUBJECT TO CHANGE AND THE CONTROLLING ENGINEERING ORGANIZATION SHOULD BE CONTACTED FOR THE LATEST REVISION.		DWN 7/31/95 T. SHINGHARA CHK 7/31/95 K. YUASA APVD 7/31/95 A. TOMITA
DIMENSIONS: 単位 種 mm	TOLERANCES UNLESS OTHERWISE SPECIFIED 一般公差 10μ ± 0.2 30μ ± 0.25 100μ ± 0.3 ANGLE ± 0.3°	PRODUCT SPEC 製品規格 // APPLICATION SPEC 取付適用規格 // WEIGHT 0.06g MATERIAL PRE-TIN 鍍メッキ 黄銅 0.2t FINISH 仕上 //

WIRE RANGE 線径範囲 AWG #22-#20 (0.3-0.5)	INSULATION DIA 絶縁径 1.4-1.7
AMP 日本エンプー株式会社 Kawasaki, Japan	
TAB CONTACT (MINI MULTI LOCK CONN) タブ コンタクト (ミニ・マルチ・ロック コネクター)	
SIZE A3	CAGE CODE 00779
DRAWING NO. 図番 917309	
SCALE 尺貫 10-1	SHEET 1 OF 1 REV A

参考 ☒ 面

out.02/new/u.095-0002/u.customer/s.c-917309