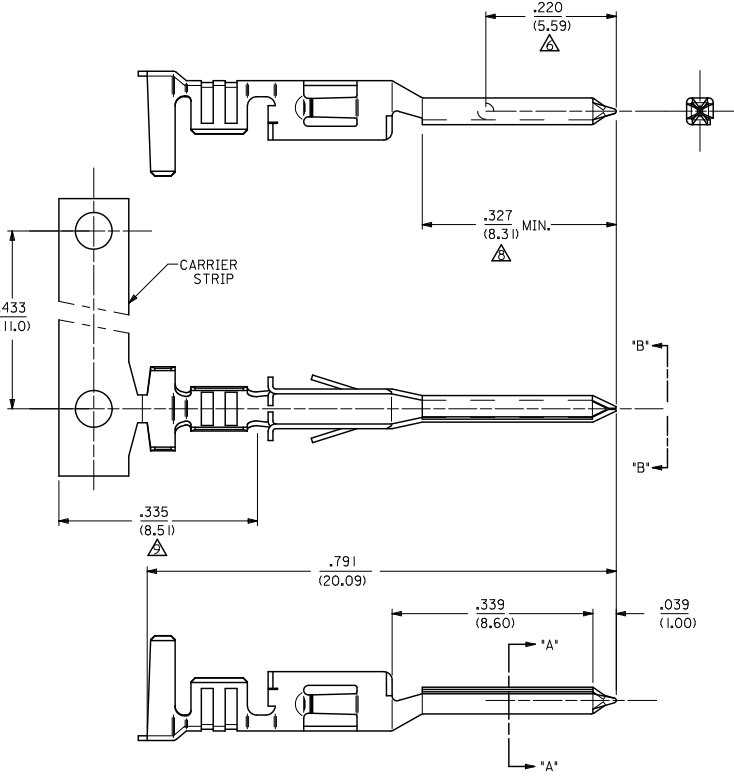
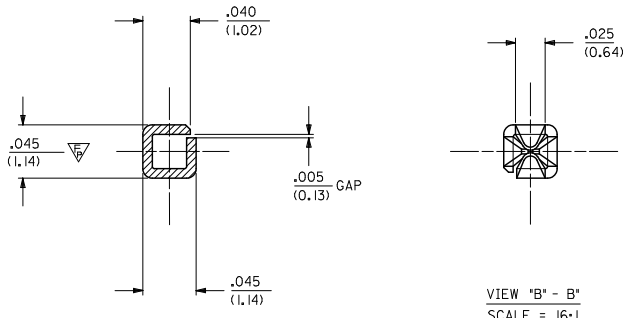


13 12 11 10 9 8 7 6 5 4 3 2 1



NOTES:
 1- MATERIAL: PHOSPHOR BRONZE ALLOY C52100
 2- FINISH:
 (A) - SELECTIVE GOLD PLATE .000030/(0.00076)MIN., AND SELECTIVE TIN .000100/(0.00254) OVER .000050/(0.00127) NICKEL OVERALL.
 (B) - .000100/(0.00254) TIN OVER .000050/(0.00127) NICKEL.
 3- PRODUCT SPECIFICATION: TBD.
 4- PACKAGING INFORMATION: SEE SHEET 2 FOR CHAIN PK-5556-003 FOR LOOSE TERMINALS
 5-FOR USE WITH ASSEMBLY NO. A-30490-0001.
 ▲-MEASURING POINT FOR PLATING THICKNESS.
 ▽ 7-TERMINAL CANNOT BE USED IN 42475 OR 43558 HOUSINGS.
 ▲ -GOLD PLATING AREA.
 ▽ -TIN PLATING AREA.



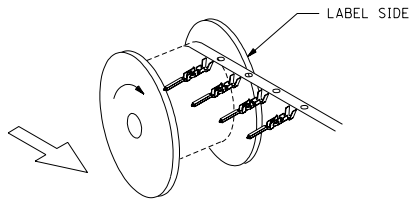
30490-9902	B	CHAIN	RIGHT TO LEFT (SEE SHT. 2)	4000	18-24
30490-9802	A	CHAIN	RIGHT TO LEFT (SEE SHT. 2)		
30490-2012	B	LOOSE		4000	18-24
30490-2002	B	CHAIN	LEFT TO RIGHT (SEE SHT. 2)		
30490-1012	A	LOOSE		4000	18-24
30490-1002	A	CHAIN	LEFT TO RIGHT (SEE SHT. 2)		
ITEM NO.	PLATING	FORM	UNREEL DIRECTION	QTY. PER REEL	WIRE GAGE REF.
AFTER PLATING					

CORRECTED NOTE 4 DEC NO. UAL2011-0264 DRAWN: JAGUILAR 2010/09/30 CHKD: APPR: MKNACK 2011/01/28	QUALITY SYMBOLS	GENERAL TOLERANCES (UNLESS SPECIFIED)	DIMENSION STYLE	SCALE	DESIGN UNITS	THIRD ANGLE PROJECTION
	▽=0	4 PLACES ± .010 ± .010	IN/MM	8:1	INCH	
	▽=0	3 PLACES ± .010 ± .010				
	▽=2	2 PLACES ± 0.25 ± .015 1 PLACE ± 0.38 ± .015 ANGULAR ± 5°				
		DRAFT WHERE APPLICABLE MUST REMAIN WITHIN DIMENSIONS	SEE CHART	MOLEX INCORPORATED SD-30490-***2 SHEET NO. 1 OF 2		

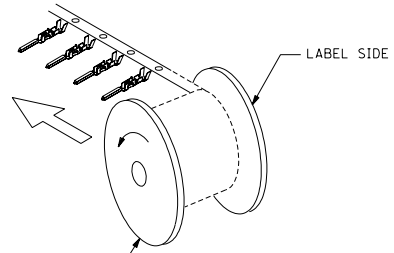
1b_frame_C.P.ME_T Rev. F 2009/06/18 12 11 10 9 8 7 6 5 4 3 2 1

13 12 11 10 9 8 7 6 30490 4 3 2 1

LEFT TO RIGHT
UNREELING



RIGHT TO LEFT
UNREELING



RED FLANGE NO. 70180-0659
EDP NO. 85-06-0002
FOR (RED) 3 REEL CARTON
PART NO. 70180-0479
EDP NO. 85-01-0479

THIS IS SPECIAL PACKAGING -
ALL NON-AIRBAG CUSTOMERS
WILL USE STANDARD PACKAGING

SEE SHEET 1
PDC 94/12/09

MFG. SH. REV. LTR. REVISIONS

DIMENSIONS SHOWN IN METRIC INCH		▽ = 0 ▼ = 0		REVISE ONLY ON CAD SYSTEM	
TOLERANCES: ANGULAR ± 1/2°		TITLE			
3 PLACE ± .005		CRIMP TERMINAL			
2 PLACE ± .01 ± 0.13		MINI-FIT STYLE			
1 PLACE --- ± 0.25		MOLEX INCORPORATED U.S.A. SHEET NO. 2 DATE 92/1/22			
DRAFT WHERE APPLICABLE MUST REMAIN WITHIN DIMENSIONS		PART NO. 30490-***2 DRWG. NO. SD-30490-***2			
DRWG. BY BBW	CHK'D. BY	FILE NAME	NO DRAWING CONTAINS INFORMATION THAT IS PROPRIETARY TO MOLEX INC. AND SHOULD NOT BE USED WITHOUT WRITTEN PERMISSION.	DATE	SIZE
APP'D. BY	SCALE	ST304902			A C

13 12 11 10 9 8 7 6 5 4 3 2 1 NO P.S.