



## 3.00mm Micro Power Connector WR-MPC3



08



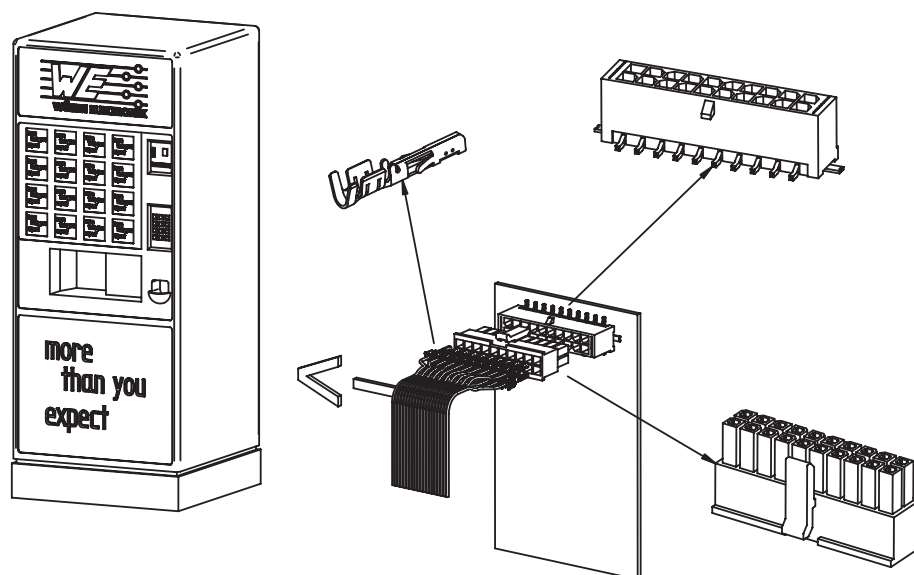
## 3.00mm Micro Power Connector WR-MPC3

The Micro Power connector solution from Würth Elektronik is designed to meet the customer requirements when high current is needed together with a small space. Lots of wire-to-wire and wire-to-board configurations are available.

### Features & Benefits

- 3.0mm pitch
- 1 or 2 rows
- Current rating up to 5A per contact
- 250VAC working voltage
- PCB (THT & SMT) Cable connectors
- Positive housing lock
- Contacts insulated from each others
- 2 to 24 pin connector available
- Different PCB fixation: SMT or THT clips

08





## 3.00mm Micro Power Connector WR-MPC3

	3.00mm Male Dual Row Vertical Header	08-5
	3.00mm Male Dual Row SMT Vertical Header with Through Hole Retention Clip	08-6
	3.00mm Male Dual Row SMT Vertical Header with SMT Fitting Clip	08-7
	3.00mm Male Dual Row Angled Header with Plastic Pegs	08-8
	3.00mm Male Dual Row SMT Angled Header with Plastic Pegs	08-9
	3.00mm Male Dual Row SMT Angled Header Through Hole Retention Clip	08-10
	3.00mm Male Dual Row SMT Angled Header SMT Fitting Nail Clip	08-11
	3.00mm Male Dual Row Plug with panel Mounting Ears	08-12
	3.00mm Female Dual Row Receptacle	08-13
	3.00mm Male Single Row Vertical Header	08-14
	3.00mm Male Single Row Angled Header with Plastic Pegs	08-15
	3.00mm Male Single Row Plug with Panel Mounting Ears	08-16
	3.00mm Female Single Row Receptacle	08-17
	Male Terminal	08-18
	Female Terminal	08-19
	Tooling ordering information	08-20
	Design Kit	08-21

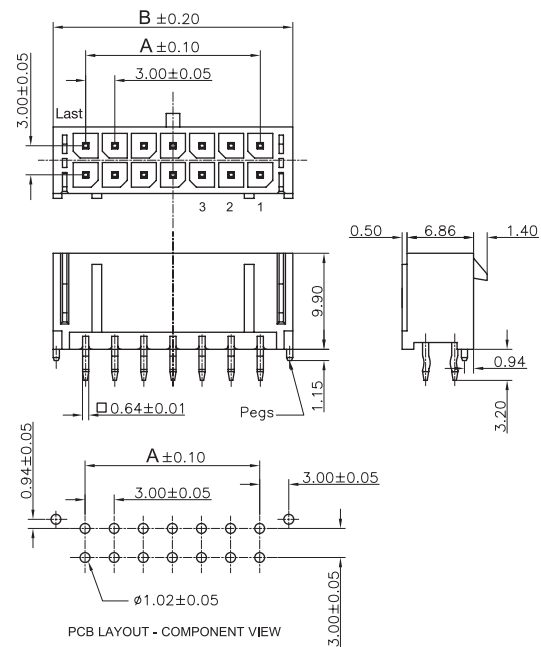
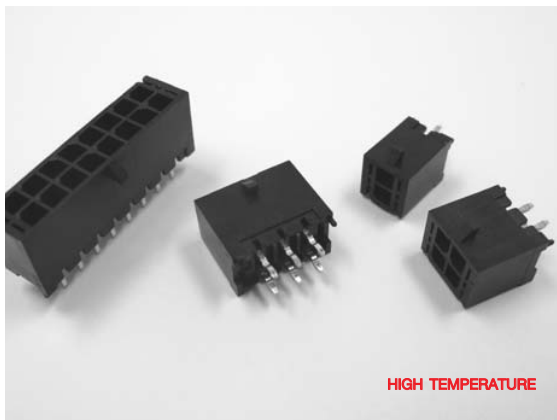


## Micro Power Connectors WR-MPC3

Rows	PCB/Cable	Gender	Type	Construction	Options	Order Code	Page
2 rows	PCB	Male	Vertical	THT		<b>662 0xx 211 22</b>	08-5
				SMT	With THT clips	<b>662 0xx 235 922</b>	08-6
			with SMT fitting clip		<b>662 0xx 231 822</b>	08-7	
			Angled	THT	With mounting pegs	<b>662 0xx 210 22</b>	08-8
				SMT	With mounting pegs	<b>662 0xx 236 022</b>	08-9
					With THT clips	<b>662 0xx 230 822</b>	08-10
	Cable housing	Male/plug			With panel mount ears	<b>662 0xx 218 22</b>	08-12
		Female/receptacle				<b>662 0xx 113 322</b>	08-13
1 row	PCB	Male	Vertical	THT		<b>662 0xx 111 22</b>	08-14
			Angled		With mounting pegs	<b>662 0xx 110 22</b>	08-15
	Cable housing	Male/plug			With panel mount ears	<b>662 0xx 118 22</b>	08-16
		Female/receptacle				<b>662 0xx 013 322</b>	08-17
Male terminal	AWG 24-20				<b>662 002 137 22</b>	08-18	
Female terminal	AWG 24-20				<b>662 001 137 22</b>	08-19	
Tooling					<b>see page</b>	08-20	
Design Kit					<b>662 001</b>	08-21	



## 3.00mm Male Dual Row Vertical Header WR-MPC3



### MATERIAL

- Insulator material: Nylon 6T
- Flammability rating: UL94-V0
- Colour: Black
- Contact material: Copper alloy
- Contact type: Stamped
- Contact plating: Tin
- Quality class: 25 Mating cycles
- Pitch: 3.00 mm

### ENVIRONMENTAL

- Operating temperature: -25 °C up to 105 °C
- Compliance: Lead free and RoHS

### ELECTRICAL

- Current rating: 5 A
- Working voltage: 250 VAC
- Insulation resistance: >1000 MOhm
- Dielectric withstanding voltage: 1500 VAC/mm
- Contact resistance: 10 mOhm max

### SOLDERING

- Solder temperature: JEDEC lead free wave & reflow soldering

### PACKAGING

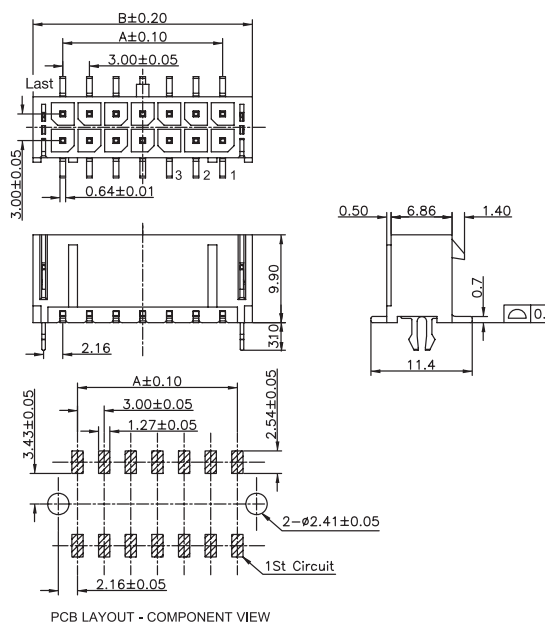
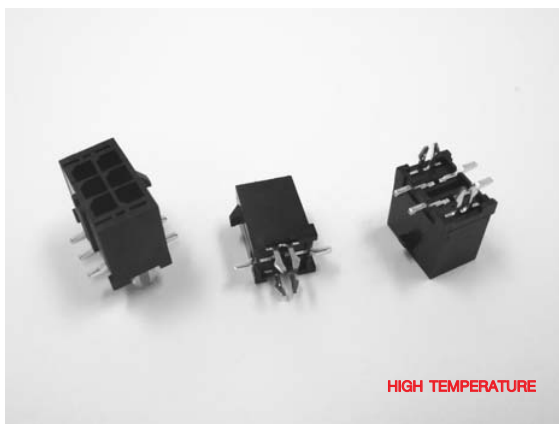
- Tray

08

Order Code	Pins	A (mm)	B (mm)
662 002 211 22	2	-	6.70
662 004 211 22	4	3.00	9.70
662 006 211 22	6	6.00	12.70
662 008 211 22	8	9.00	15.70
662 010 211 22	10	12.00	18.70
662 012 211 22	12	15.00	21.70
662 014 211 22	14	18.00	24.70
662 016 211 22	16	21.00	27.70
662 018 211 22	18	24.00	30.70
662 020 211 22	20	27.00	33.70
662 022 211 22	22	30.00	36.70
662 024 211 22	24	33.00	39.70



# 3.00mm Male Dual Row SMT Vertical Header with Through Hole Retention Clip WR-MPC3



08

**MATERIAL**

- Insulator material: Nylon 6T
- Flammability rating: UL94-V0
- Colour: Black
- Contact material: Copper alloy
- Contact type: Stamped
- Contact plating: Tin
- Quality class: 25 Mating cycles
- Pitch: 3.00 mm

**ENVIRONMENTAL**

- Operating temperature: -25 °C up to 105 °C
- Compliance: Lead free and RoHS

**ELECTRICAL**

- Current rating: 5 A
- Working voltage: 250 VAC
- Insulation resistance: >1000 MOhm
- Dielectric withstanding voltage: 1500 VAC/mm
- Contact resistance: 10 mOhm max

**SOLDERING**

- Solder temperature: JEDEC lead free reflow soldering

**PACKAGING**

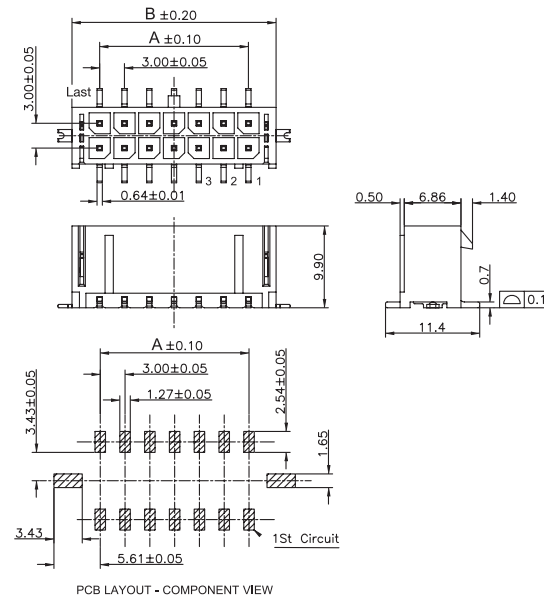
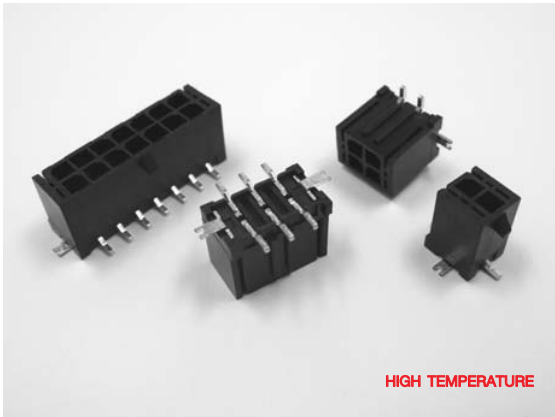
- Standard = Tray
- Special = Tape & Reel with cap / Order Code = 662 3 xx 235922

Tape & Reel with cap packaging can be done but is subject to MOQ and not kept in stock

Order Code	Pins	A (mm)	B (mm)
662 002 235 922	2	-	6.70
662 004 235 922	4	3.00	9.70
662 006 235 922	6	6.00	12.70
662 008 235 922	8	9.00	15.70
662 010 235 922	10	12.00	18.70
662 012 235 922	12	15.00	21.70
662 014 235 922	14	18.00	24.70
662 016 235 922	16	21.00	27.70
662 018 235 922	18	24.00	30.70
662 020 235 922	20	27.00	33.70
662 022 235 922	22	30.00	36.70
662 024 235 922	24	33.00	39.70



## 3.00mm Male Dual Row SMT Vertical Header with SMT Fitting Nail WR-MPC3



### MATERIAL

- Insulator material: Nylon 6T
- Flammability rating: UL94-V0
- Colour: Black
- Contact material: Copper alloy
- Contact type: Stamped
- Contact plating: Tin
- Quality class: 25 Mating cycles
- Pitch: 3.00 mm

### ENVIRONMENTAL

- Operating temperature: -25 °C up to 105 °C
- Compliance: Lead free and RoHS

### ELECTRICAL

- Current rating: 5 A
- Working voltage: 250 VAC
- Insulation resistance: >1000 MOhm
- Dielectric withstanding voltage: 1500 VAC/mn
- Contact resistance: 10 mOhm max

### SOLDERING

- Solder temperature: JEDEC lead free reflow soldering

### PACKAGING

- Standard = Tray
- Special = Tape & Reel with cap / Order Code = 662 3 xx 231922

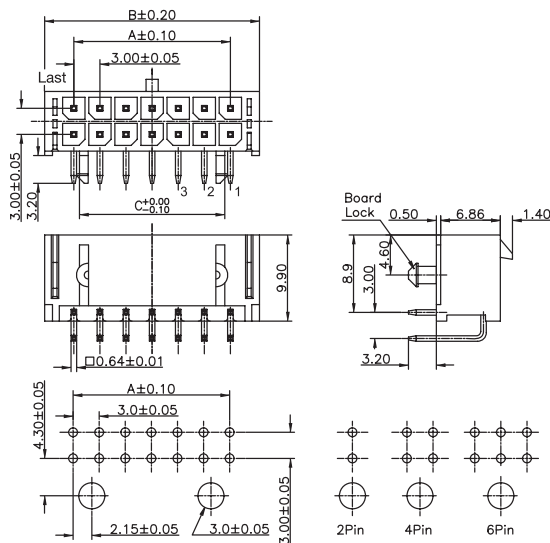
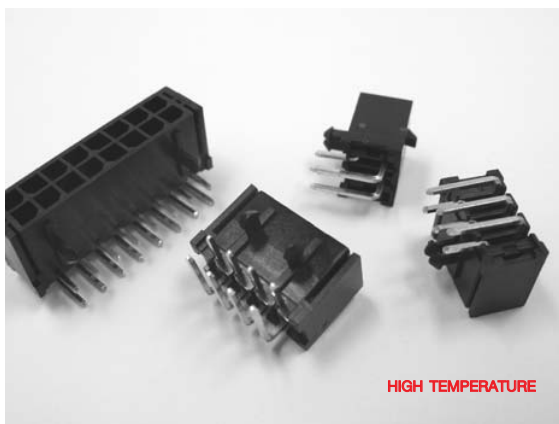
Tape & Reel with cap packaging can be done but is subject to MOQ and not kept in stock

08

Order Code	Pins	A (mm)	B (mm)
662 002 231 822	2	-	6.70
662 004 231 822	4	3.00	9.70
662 006 231 822	6	6.00	12.70
662 008 231 822	8	9.00	15.70
662 010 231 822	10	12.00	18.70
662 012 231 822	12	15.00	21.70
662 014 231 822	14	18.00	24.70
662 016 231 822	16	21.00	27.70
662 018 231 822	18	24.00	30.70
662 020 231 822	20	27.00	33.70
662 022 231 822	22	30.00	36.70
662 024 231 822	24	33.00	39.70



# 3.00mm Male Dual Row Angled Header with Plastic Pegs WR-MPC3



PCB LAYOUT - COMPONENT VIEW



08

**MATERIAL**

- Insulator material: Nylon 6T
- Flammability rating: UL94-V0
- Colour: Black
- Contact material: Copper alloy
- Contact type: Stamped
- Contact plating: Tin
- Quality class: 25 Mating cycles
- Pitch: 3.00 mm

**ELECTRICAL**

- Current rating: 5 A
- Working voltage: 250 VAC
- Insulation resistance: >1000 MOhm
- Dielectric withstanding voltage: 1500 VAC/mm
- Contact resistance: 10 mOhm max

**SOLDERING**

- Solder temperature: JEDEC lead free wave & reflow soldering

**PACKAGING**

- Tube

**ENVIRONMENTAL**

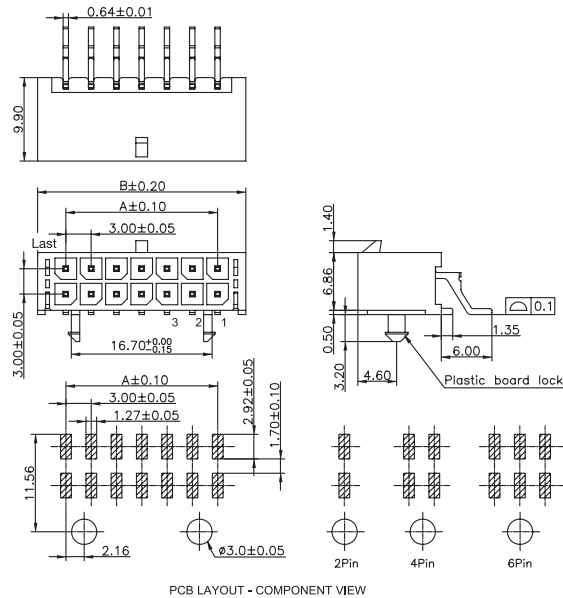
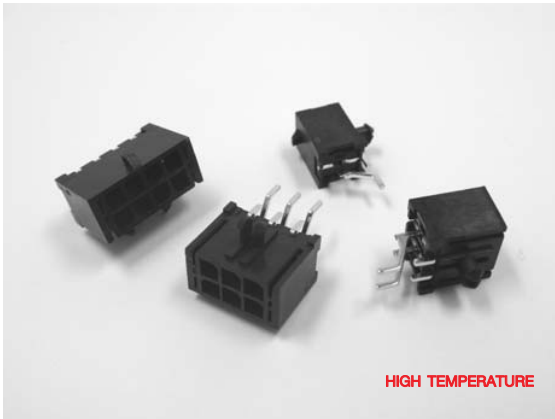
- Operating temperature: -25 °C up to 105 °C
- Compliance: Lead free and RoHS

Order Code	Pins	A (mm)	B (mm)	C (mm)
662 002 210 22	2	-	6.70	-
662 004 210 22	4	3.00	9.70	1.70
662 006 210 22	6	6.00	12.70	4.70
662 008 210 22	8	9.00	15.70	7.70
662 010 210 22	10	12.00	18.70	10.70
662 012 210 22	12	15.00	21.70	13.70
662 014 210 22	14	18.00	24.70	16.70
662 016 210 22	16	21.00	27.70	19.70
662 018 210 22	18	24.00	30.70	22.70
662 020 210 22	20	27.00	33.70	25.70
662 022 210 22	22	30.00	36.70	28.70
662 024 210 22	24	33.00	39.70	31.70





# 3.00mm Male Dual Row SMT Angled Header with Plastic Pegs WR-MPC3



**MATERIAL**

- Insulator material: Nylon 6T
- Flammability rating: UL94-V0
- Colour: Black
- Contact material: Copper alloy
- Contact type: Stamped
- Contact plating: Tin
- Quality class: 25 Mating cycles
- Pitch: 3.00 mm

**ENVIRONMENTAL**

- Operating temperature: -25 °C up to 105 °C
- Compliance: Lead free and RoHS

**ELECTRICAL**

- Current rating: 5 A
- Working voltage: 250 VAC
- Insulation resistance: >1000 MOhm
- Dielectric withstanding voltage: 1500 VAC/mm
- Contact resistance: 10 mOhm max

**SOLDERING**

- Solder temperature: JEDEC lead free reflow soldering

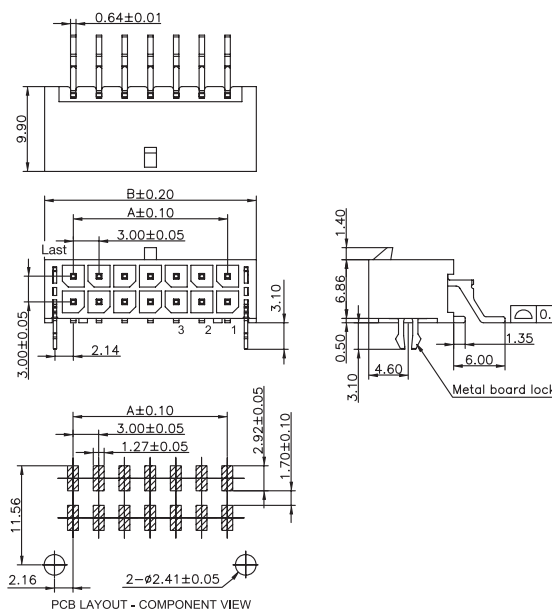
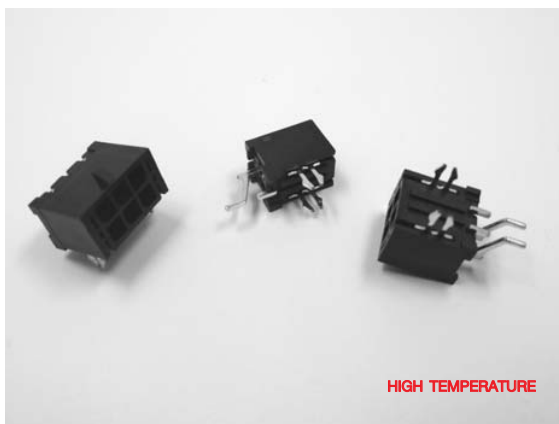
**PACKAGING**

- Standard = Tray
- Special = Tape & Reel / Order Code = 662 1 xx 236022

Order Code	Pins	A (mm)	B (mm)
662 002 236 022	2	-	6.70
662 004 236 022	4	3.00	9.70
662 006 236 022	6	6.00	12.70
662 008 236 022	8	9.00	15.70
662 010 236 022	10	12.00	18.70
662 012 236 022	12	15.00	21.70
662 014 236 022	14	18.00	24.70
662 016 236 022	16	21.00	27.70
662 018 236 022	18	24.00	30.70
662 020 236 022	20	27.00	33.70
662 022 236 022	22	30.00	36.70
662 024 236 022	24	33.00	39.70



# 3.00mm Male Dual Row SMT Angled Header Through Hole Retention Clip WR-MPC3



08

**MATERIAL**

- Insulator material: Nylon 6T
- Flammability rating: UL94-V0
- Colour: Black
- Contact material: Copper alloy
- Contact type: Stamped
- Contact plating: Tin
- Quality class: 25 Mating cycles
- Pitch: 3.00 mm

**ELECTRICAL**

- Current rating: 5 A
- Working voltage: 250 VAC
- Insulation resistance: >1000 MOhm
- Dielectric withstanding voltage: 1500 VAC/mm
- Contact resistance: 10 mOhm max

**SOLDERING**

- Solder temperature: JEDEC lead free reflow soldering

**ENVIRONMENTAL**

- Operating temperature: -25 °C up to 105 °C
- Compliance: Lead free and RoHS

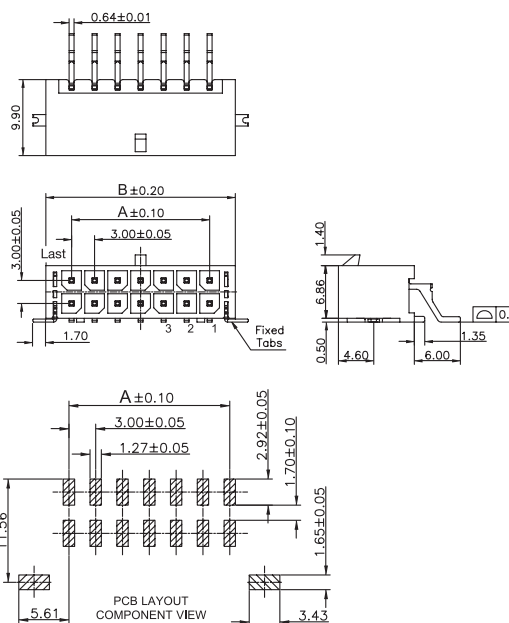
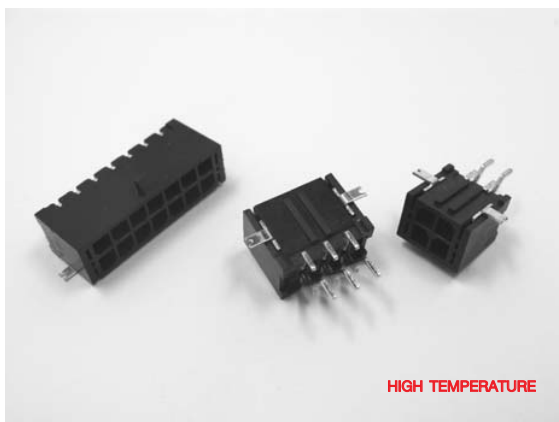
**PACKAGING**

- Standard = Tray
- Special = Tape & Reel / Order Code = 662 1 xx 230822

Order Code	Pins	A (mm)	B (mm)
662 002 230 822	2	-	6.70
662 004 230 822	4	3.00	9.70
662 006 230 822	6	6.00	12.70
662 008 230 822	8	9.00	15.70
662 010 230 822	10	12.00	18.70
662 012 230 822	12	15.00	21.70
662 014 230 822	14	18.00	24.70
662 016 230 822	16	21.00	27.70
662 018 230 822	18	24.00	30.70
662 020 230 822	20	27.00	33.70
662 022 230 822	22	30.00	36.70
662 024 230 822	24	33.00	39.70



# 3.00mm Male Dual Row SMT Angled Header SMT Fitting Nail Clip WR-MPC3



**MATERIAL**

- Insulator material: Nylon 6T
- Flammability rating: UL94-V0
- Colour: Black
- Contact material: Copper alloy
- Contact type: Stamped
- Contact plating: Tin
- Quality class: 25 Mating cycles
- Pitch: 3.00 mm

**ENVIRONMENTAL**

- Operating temperature: -25 °C up to 105 °C
- Compliance: Lead free and RoHS

**ELECTRICAL**

- Current rating: 5 A
- Working voltage: 250 VAC
- Insulation resistance: >1000 MOhm
- Dielectric withstanding voltage: 1500 VAC/mm
- Contact resistance: 10 mOhm max

**SOLDERING**

- Solder temperature: JEDEC lead free reflow soldering

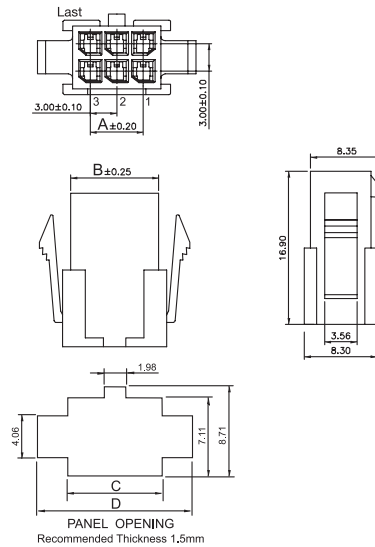
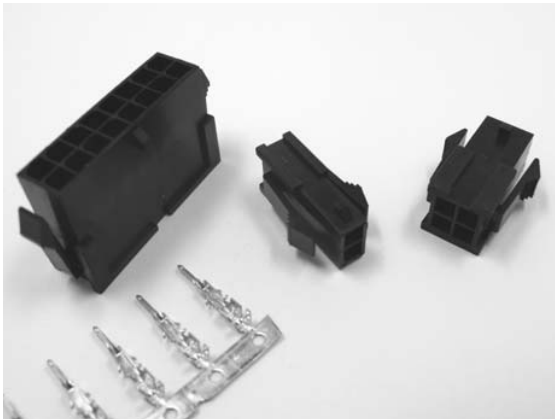
**PACKAGING**

- Standard = Tray
- Special = Tape & Reel / Order Code = 662 1 xx 231722

Order Code	Pins	A (mm)	B (mm)
662 002 231 722	2	-	6.70
662 004 231 722	4	3.00	9.70
662 006 231 722	6	6.00	12.70
662 008 231 722	8	9.00	15.70
662 010 231 722	10	12.00	18.70
662 012 231 722	12	15.00	21.70
662 014 231 722	14	18.00	24.70
662 016 231 722	16	21.00	27.70
662 018 231 722	18	24.00	30.70
662 020 231 722	20	27.00	33.70
662 022 231 722	22	30.00	36.70
662 024 231 722	24	33.00	39.70



## 3.00mm Male Dual Row Plug with Panel Mounting Ears WR-MPC3



08

### MATERIAL

- Insulator material:
- Flammability rating:
- Colour:
- Pitch:

Nylon 6T  
UL94-V0  
Black  
3.00 mm

### ENVIRONMENTAL

- Operating temperature:
- Compliance:

-25 °C up to 105 °C  
Lead free and RoHS

### ELECTRICAL

- Current rating:
- Working voltage:
- Insulation resistance:
- Dielectric withstanding voltage:

5 A  
250 VAC  
>1000 MOhm  
1500 VAC/mn

### PACKAGING

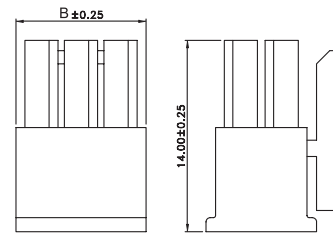
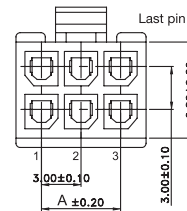
- Bag

To be used with male terminal 66200213722 see page 08-18

Order Code	Plns	A (mm)	B (mm)	C (mm)	D (mm)
662 002 218 22	2	-	3.85	4.21	7.90
662 004 218 22	4	3.00	6.85	7.21	10.91
662 006 218 22	6	6.00	9.85	10.21	13.89
662 008 218 22	8	9.00	12.85	13.21	16.89
662 010 218 22	10	12.00	15.85	16.21	19.89
662 012 218 22	12	15.00	15.85	19.21	22.89
662 014 218 22	14	18.00	21.85	22.20	25.88
662 016 218 22	16	21.00	24.85	25.20	28.88
662 018 218 22	18	24.00	27.85	28.20	31.88
662 020 218 22	20	27.00	30.85	31.22	34.87
662 022 218 22	22	30.00	33.85	34.22	37.87
662 024 218 22	24	33.00	36.85	37.22	40.87



## 3.00mm Female Dual Row Receptacle WR-MPC3



### MATERIAL

- Insulator material:
- Flammability rating:
- Colour:
- Pitch:

Nylon 6T  
UL94-V0  
Black  
3.00 mm

### ENVIRONMENTAL

- Operating temperature:
- Compliance:

-25 °C up to 105 °C  
Lead free and RoHS

### ELECTRICAL

- Current rating:
- Working voltage:
- Insulation resistance:
- Dielectric withstanding voltage:

5 A  
250 VAC  
>1000 MOhm  
1500 VAC/mn

### PACKAGING

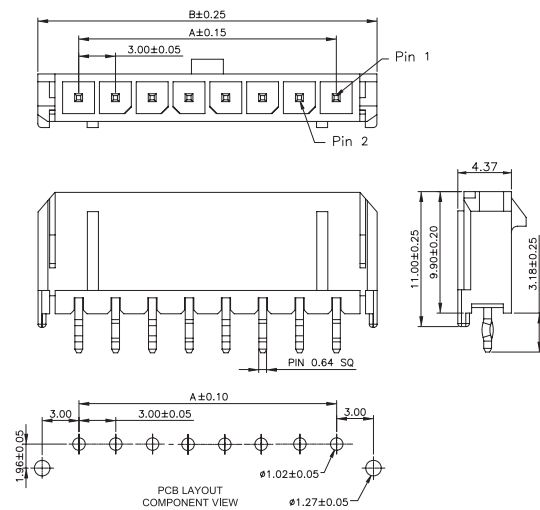
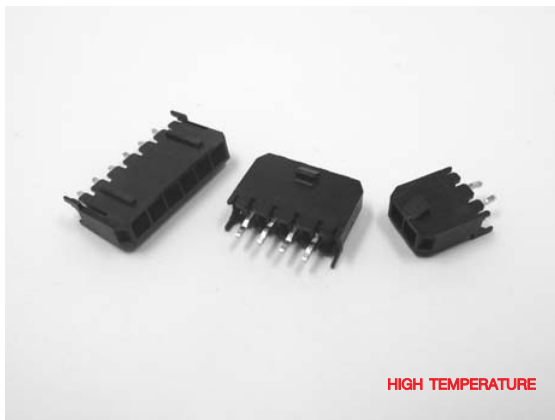
- Bag

To be used with female terminal 66200113722 see page 08-19

Order Code	Pins	A (mm)	B (mm)
662 002 113 322	2	-	3.85
662 004 113 322	4	3.00	6.85
662 006 113 322	6	6.00	9.85
662 008 113 322	8	9.00	12.85
662 010 113 322	10	12.00	15.85
662 012 113 322	12	15.00	18.85
662 014 113 322	14	18.00	21.85
662 016 113 322	16	21.00	24.85
662 018 113 322	18	24.00	27.85
662 020 113 322	20	27.00	30.85
662 022 113 322	22	30.00	33.85
662 024 113 322	24	33.00	36.85



## 3.00mm Male Single Row Vertical Header WR-MPC3



08

### MATERIAL

- Insulator material: Nylon 6T
- Flammability rating: UL94-V0
- Colour: Black
- Contact material: Copper alloy
- Contact type: Stamped
- Contact plating: Tin
- Quality class: 25 Mating cycles
- Pitch: 3.00 mm

### ENVIRONMENTAL

- Operating temperature: -25 °C up to 105 °C
- Compliance: Lead free and RoHS

### ELECTRICAL

- Current rating: 5 A
- Working voltage: 250 VAC
- Insulation resistance: >1000 MOhm
- Dielectric withstanding voltage: 1500 VAC/mn
- Contact resistance: 10 mOhm max

### SOLDERING

- Solder temperature: JEDEC lead free wave & reflow soldering

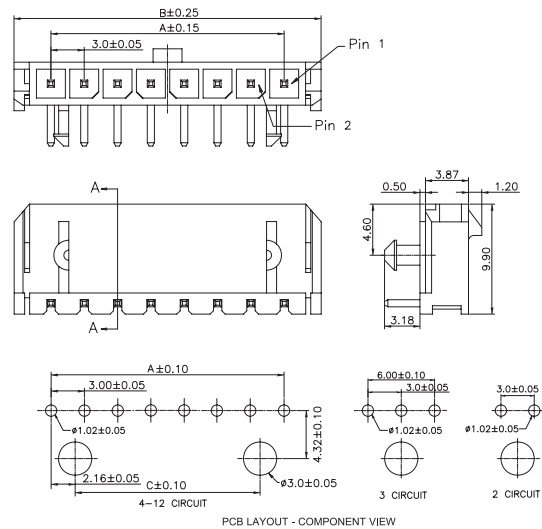
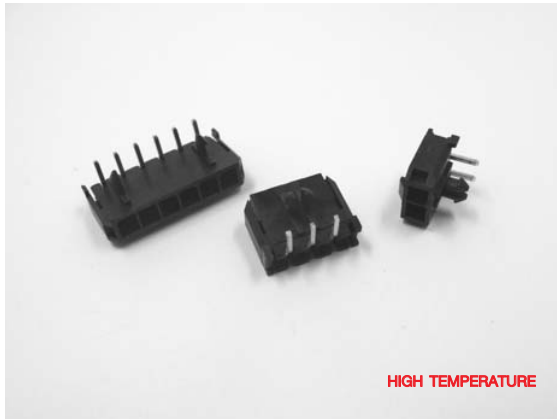
### PACKAGING

- Tray

Order Code	Pins	A (mm)	B (mm)
662 002 111 22	2	3.00	9.65
662 003 111 22	3	6.00	12.65
662 004 111 22	4	9.00	15.65
662 005 111 22	5	12.00	18.65
662 006 111 22	6	15.00	21.65
662 007 111 22	7	18.00	24.65
662 008 111 22	8	21.00	27.65
662 009 111 22	9	24.00	30.65
662 010 111 22	10	27.00	33.65
662 011 111 22	11	30.00	36.65
662 012 111 22	12	33.00	39.65



# 3.00mm Male Single Row Angled Header with Plastic Pegs WR-MPC3



**MATERIAL**

- Insulator material: Nylon 6T
- Flammability rating: UL94-V0
- Colour: Black
- Contact material: Copper alloy
- Contact type: Stamped
- Contact plating: Tin
- Quality class: 25 Mating cycles
- Pitch: 3.00 mm

**ENVIRONMENTAL**

- Operating temperature: -25 °C up to 105 °C
- Compliance: Lead free and RoHS

**ELECTRICAL**

- Current rating: 5 A
- Working voltage: 250 VAC
- Insulation resistance: >1000 MOhm
- Dielectric withstanding voltage: 1500 VAC/mn
- Contact resistance: 10 mOhm max

**SOLDERING**

- Solder temperature: JEDEC lead free wave & reflow soldering

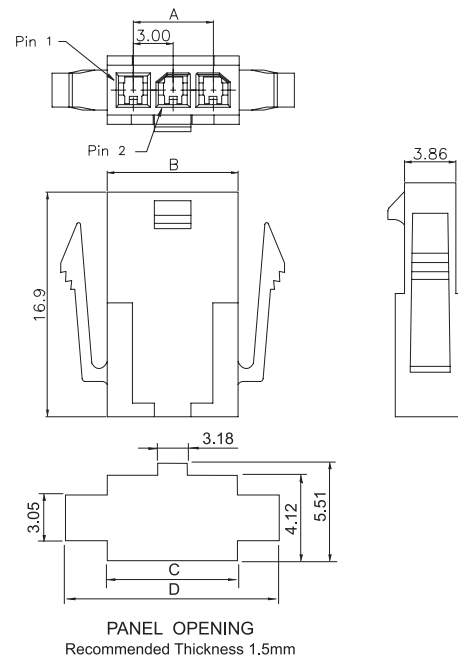
**PACKAGING**

- Tube

Order Code	Pins	A (mm)	B (mm)	C (mm)
662 002 110 22	2	3.00	9.65	-
662 003 110 22	3	6.00	12.65	-
662 004 110 22	4	9.00	15.65	4.70
662 005 110 22	5	12.00	18.65	7.70
662 006 110 22	6	15.00	21.65	10.70
662 007 110 22	7	18.00	24.65	13.70
662 008 110 22	8	21.00	27.65	16.70
662 009 110 22	9	24.00	30.65	19.70
662 010 110 22	10	27.00	33.65	22.70
662 011 110 22	11	30.00	36.65	25.70
662 012 110 22	12	33.00	39.65	28.70



## 3.00mm Male Single Row Plug with Panel Mounting Ears WR-MPC3



08

### MATERIAL

- Insulator material:
- Flammability rating:
- Colour:
- Pitch:

Nylon 6T  
UL94-V0  
Black  
3.00 mm

### ENVIRONMENTAL

- Operating temperature:
- Compliance:

-25 °C up to 105 °C  
Lead free and RoHS

### ELECTRICAL

- Current rating:
- Working voltage:
- Insulation resistance:
- Dielectric withstanding voltage:

5 A  
250 VAC  
>1000 MOhm  
1500 VAC/mn

### PACKAGING

- Bag

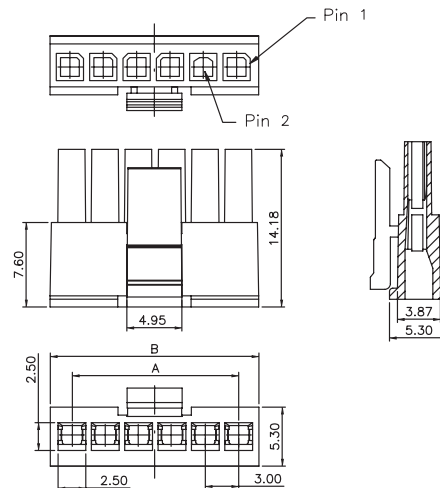
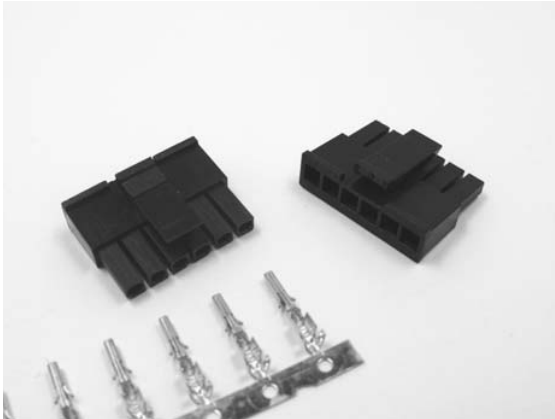
To be used with male terminal 66200213722 see page 08-18

Order Code	Pins	A (mm)	B (mm)	C (mm)	D (mm)
662 002 118 22	2	3.00	6.85	7.21	10.90
662 003 118 22	3	6.00	9.85	10.21	13.89
662 004 118 22	4	9.00	12.85	13.21	16.89
662 005 118 22	5	12.00	15.85	16.21	19.89
662 006 118 22	6	15.00	18.85	19.21	22.89
662 007 118 22	7	18.00	21.85	22.20	25.88
662 008 118 22	8	21.00	24.85	25.20	28.88
662 009 118 22	9	24.00	27.85	28.20	31.88
662 010 118 22	10	27.00	30.85	31.22	34.87
662 011 118 22	11	30.00	33.85	34.22	37.87
662 012 118 22	12	33.00	36.85	37.22	40.87





## 3.00mm Female Single Row Receptacle WR-MPC3



### MATERIAL

- Insulator material:
- Flammability rating:
- Colour:
- Pitch:

Nylon 6T  
UL94-V0  
Black  
3.00 mm

### ENVIRONMENTAL

- Operating temperature:
- Compliance:

-25 °C up to 105 °C  
Lead free and RoHS

### ELECTRICAL

- Current rating:
- Working voltage:
- Insulation resistance:
- Dielectric withstanding voltage:

5 A  
250 VAC  
>1000 MOhm  
1500 VAC/mn

### PACKAGING

- Bag

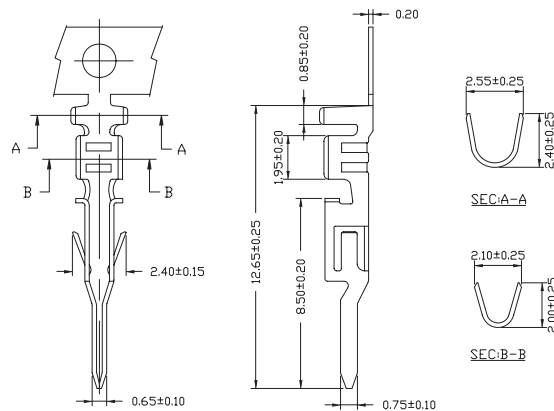
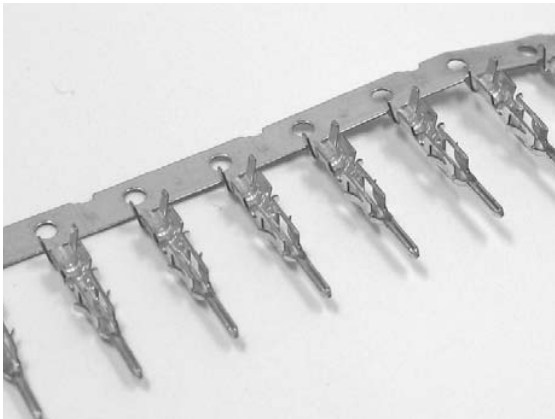
To be used with female terminal 66200113722 see page 08-19

08

Order Code	Pins	A (mm)	B (mm)
662 002 013 322	2	3.00	6.85
662 003 013 322	3	6.00	9.85
662 004 013 322	4	9.00	12.85
662 005 013 322	5	12.00	15.85
662 006 013 322	6	15.00	18.85
662 007 013 322	7	18.00	21.85
662 008 013 322	8	21.00	24.85
662 009 013 322	9	24.00	27.85
662 010 013 322	10	27.00	30.85
662 011 013 322	11	30.00	33.85
662 012 013 322	12	33.00	36.85



## 3.00mm Male Terminal WR-MPC3



08



### MATERIAL

- Contact material: Copper alloy
- Contact type: Stamped
- Contact plating: Tin
- Quality class: 25 Mating cycles
- Pitch: For 3.00 mm

### ELECTRICAL

- Current rating: 5 A
- Working voltage: 250 VAC
- Insulation resistance: >1000 MOhm
- Dielectric withstanding voltage: 1500 VAC/mn
- Contact resistance: 10 mOhm max

### ENVIRONMENTAL

- Operating temperature:  $-25\text{ }^{\circ}\text{C}$  up to  $105\text{ }^{\circ}\text{C}$
- Compliance: Lead free and RoHS

### WIRE DIMENSION

- AWG: AWG 20-24 (0.52 to 0.20 mm<sup>2</sup>)

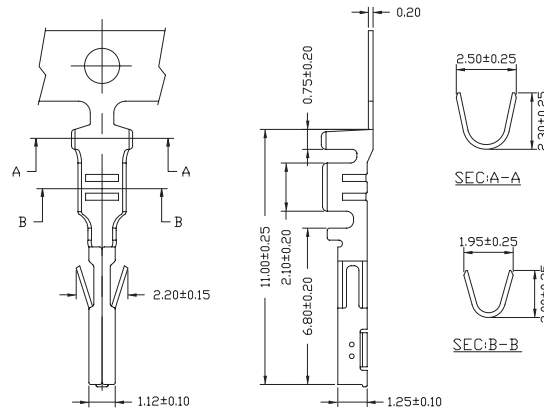
### PACKAGING

- Reel of 10kps
- To order spare terminal in small quantity (100pcs per bag) please order 66200213722DEC
- 1pc = 1 terminal
- Crimping tools see page 08-20

Order Code	AWG	A (mm)	B (mm)	C (mm)	D (mm)
662 002 137 22	AWG 20-24 (0.52 to 0.20 mm <sup>2</sup> )	2.55	2.10	2.40	2.00



### 3.00mm Female Terminal WR-MPC3



**MATERIAL**

- Contact material: Copper alloy
- Contact type: Stamped
- Contact plating: Tin
- Quality class: 25 Mating cycles
- Pitch: For 3.00 mm

**ELECTRICAL**

- Current rating: 5 A
- Working voltage: 250 VAC
- Insulation resistance: >1000 MOhm
- Dielectric withstanding voltage: 1500 VAC/mn
- Contact resistance: 10 mOhm max

**ENVIRONMENTAL**

- Operating temperature: -25 °C up to 105 °C
- Compliance: Lead free and RoHS

**WIRE DIMENSION**

- AWG: AWG 20-24 (0.52 to 0.20 mm<sup>2</sup>)

**PACKAGING**

- Reel of 10kps
- To order spare terminal in small quantity (100pcs per bag) please order 66200113722DEC
- 1pc = 1 terminal
- Crimping tools see page 08-20

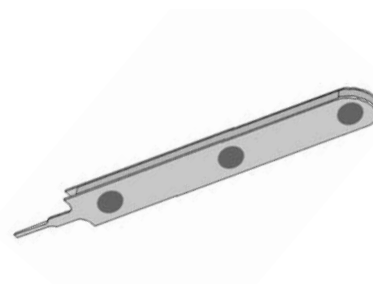
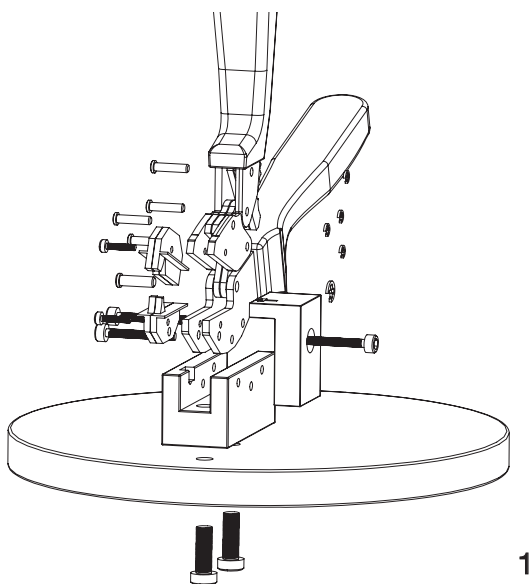
Order Code	AWG	A (mm)	B (mm)	C (mm)	D (mm)
662 001 137 22	AWG 20 - 24 (0.52 to 0.20 mm <sup>2</sup> )	2.50	1.95	2.30	2.00



## Tooling Ordering Information WR-MPC3



08



Tool	Order Code	Fig.	Terminal Code Compatible	Gauge AWG	Gener
Hand Plier & Die Set	600662120241	1	662 001 137 22	AWG 20 - 24 (0.52 to 0.20 mm <sup>2</sup> )	male
Hand Plier & Die Set	600662220241	1	662 002 137 22	AWG 20 - 24 (0.52 to 0.20 mm <sup>2</sup> )	female
Extraction Tool	600000000011	2	For all terminals		

## Design Kit WR-MPC3



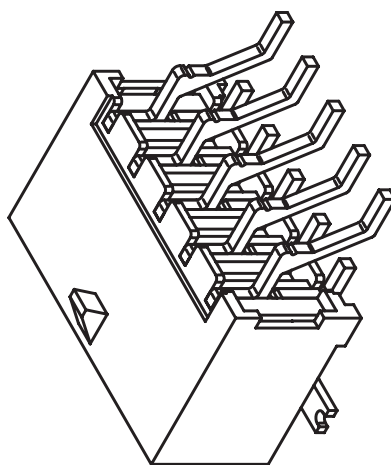
Order Code 662 001  
Design Kit WR-MPC3  
All the parts of the assortment are detailed below

08

P/N in the Kit	Pins	Description
662 0 xx 211 22	2 to 24	3.00mm Male Dual Row Vertical Header
662 0 xx 235 922	2 to 24	3.00mm Male Dual Row SMT Vertical Header With Through Hole Retention Clip
662 0 xx 231 822	2 to 24	3.00mm Male Dual Row SMT Vertical Header With SMT Fitting Nail
662 0 xx 210 22	2 to 24	3.00mm Male Dual Row Angled Header With Plastic Pegs
662 0 xx 236 022	2 to 24	3.00mm Male Dual Row SMT Angled Header With Plastic Pegs
662 0 xx 230 822	2 to 24	3.00mm Male Dual Row SMT Angled Header Through Hole Retention Clip
662 0 xx 231 722	2 to 24	3.00mm Male Dual Row SMT Angled Header SMT Fitting Nail Clip
662 0 xx 218 22	2 to 24	3.00mm Male Dual Row Plug With Panel Mounting Ears
662 0 xx 113 322	2 to 24	3.00mm Female Dual Row Receptacle
662 0 xx 111 22	2 to 12	3.00mm Male Single Row Vertical Header
662 0 xx 110 22	2 to 12	3.00mm Male Single Row Angled Header With Plastic Pegs
662 0 xx 118 22	2 to 12	3.00mm Male Single Row Plug With Panel Mounting Ears
662 0 xx 013 322	2 to 12	3.00mm Female Single Row Receptacle
662 002 137 22	-	3.00mm Male Terminal
662 001 137 22	-	3.00mm Female Terminal



Notes:



08