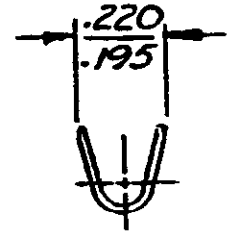
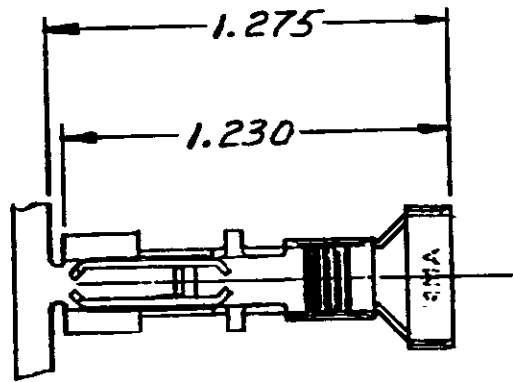


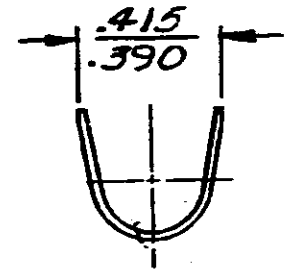
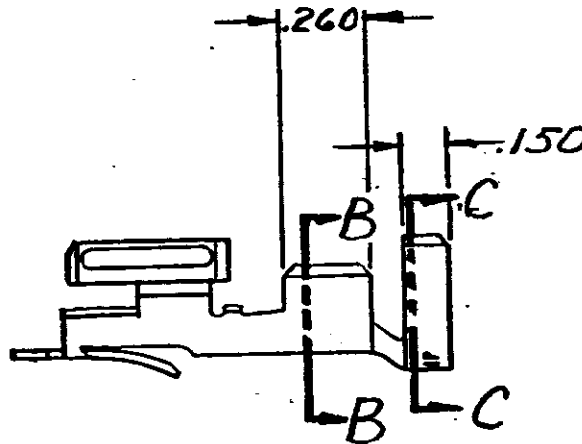
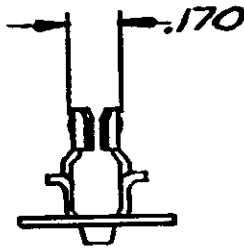
DRAWING MADE IN AMERICAN PROJECTION

197

NUMBER
350650



SECT. B-B



SECT. C-C

DIMENSIONS IN INCHES. DO NOT SCALE PRINT.

H	WAS LOC CM, REVISED	S4141	7/28/87
G1	RESTORED		8/15/87
G	REV. PER. ECN CMIZI		9/15/87
F	REVISED MAKE	M-3272	6/16/76
E	REVISED M-3484	6/16/76	8/17/75
D	.170 WAS 165	M-3443	10/1/75
C	REVISED PER M-	3348	7/14/75
B	3/4 WAS 3/4	3323	7/11/75
A	REVISED PER M-	1500	5-16-75
LTR	REVISION RECORD	ECN	DATE

PHOSPHOR BRONZE	350650-1
MATERIAL	PART NO.

© 1974 BY AMP INCORPORATED. ALL RIGHTS RESERVED. PRODUCTS COVERED BY PATENTS PENDING.

CUSTOMER COPY REFERENCE ONLY

FINISH	TIN	AMP INCORPORATED HARRISBURG, PENNA.
CLASS	H	
WIRE RANGE	12-BAWG	
INSULATION	.360 MFR	
TOLERANCE EXCEPT AS NOTED	± .015	
SCALE	1" = 0'	
LCC	S	
NO	A	
NO	350650	
REV	H	

NAME HERMAPHRODITIC HIGH CURRENT TERMINAL

CUSTOMER DRAWING

PRINTED
64