

DRAWING MADE IN THIRD ANGLE PROJECTION

© COPYRIGHT 1978 BY AMP INCORPORATED, HARRISBURG, PA.
 ALL INTERNATIONAL RIGHTS RESERVED. AMP INCORPORATED PRODUCTS
 COVERED BY U. S. AND FOREIGN PATENTS AND/OR PATENTS PENDING.

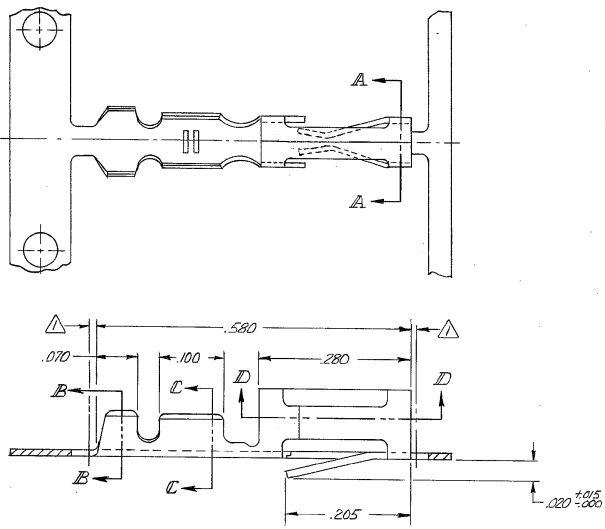
3

2

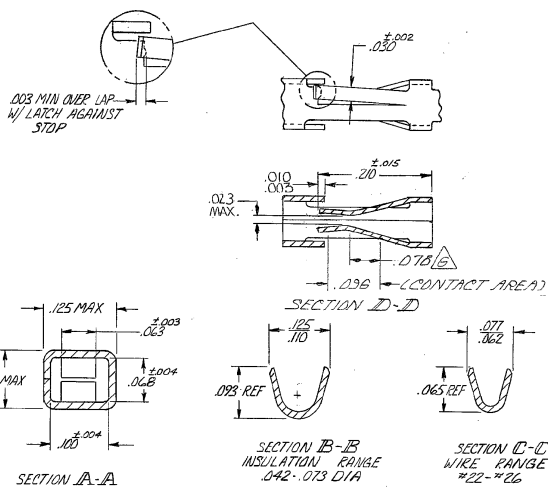
1

LOC AD 39

| REVISIONS | | | | | |
|-----------|---|------|------------------------|----------|----------|
| P | F | ZONE | DESCRIPTION | DATE | APPROVED |
| | | | RELEASE | | |
| A | ✓ | | REVISE PER ECU 2481 | 2-28-78 | JH |
| B | ✓ | | REV ECU 202 | 2-28-78 | JH |
| B | ✓ | | REV ECU 278 | 2-28-78 | JH |
| B | ✓ | | REV ECU 1063 | 2-28-78 | JH |
| C | ✓ | | REV LOC & DIST AD-4171 | 11-29-89 | RE |
| D | ✓ | | REV ECU AD-4635 | 2-28-90 | JH |
| E | ✓ | | REV PER 0010-1103-92 | 2-15-94 | EB |
| F | ✓ | | REV PER 0010-1125-94 | 12-14-94 | JH |
| G | ✓ | | REV PER 0030-0026-DD | 6-9-95 | MB |



- △ .010 MAX CUT-OFF TAB FOR LOOSE PIECE.
- △ GOLD FLASH OVER .000050 NICKEL ENTIRE CONTACT, .000015 GOLD ON CONTACT AREA
- △ GOLD FLASH OVER .000050 NICKEL ENTIRE CONTACT .000030 GOLD ON CONTACT AREA.
- △ .000016 MIN-TIN.
- △ LUBRICATED
- △ POINT OF MEASUREMENT FOR FLATING THICKNESS.
- △ .000015 GOLD ON CONTACT AREA .000050-.000100 BRIGHT TIN-LEAD ON TERMINATION AREA, ALL OVER .000050 NICKEL ENTIRE TERMINAL.
- △ .000030 GOLD ON CONTACT AREA, .000050-.000100 BRIGHT TIN-LEAD ON TERMINATION AREA, ALL OVER .000050 NICKEL ENTIRE TERMINAL.
- △ OBSOLETE PART NUMBER.



| | | | |
|--------|---|-----------------|------------|
| △ | △ | 102106-5 | 102102-7/5 |
| △ | △ | 102106-4 | 102102-6/5 |
| △ | △ | 102106-3 | 102102-5 |
| △ | △ | 102106-2 | 102102-2 |
| △ | △ | 102106-1 | 102102-1/5 |
| FINISH | | LOOSE PIECE P/N | PART NO |

| | | |
|---|---------------------------------------|---|
| UNLESS OTHERWISE SPECIFIED DIMENSIONS ARE IN INCHES. TOLERANCES ON: DECIMALS ± .005 ANGLES ± — | CONTRACT NO | AMP INCORPORATED Harrisburg, Pa. |
| | DR * 12-10-78 | |
| MATERIAL PHOS. BRONZE | CHK 4-27-78 | SIZE CODE IDENT NO/DRAWING NO C 00779 102102 |
| FINISH SEE TABLE | APPR 4/28/78 APPD 102102-1/5 | |
| | DSGN APPD | SCALE |
| | OTHER APPD | SHEET |

CUSTOMER DRAWING