

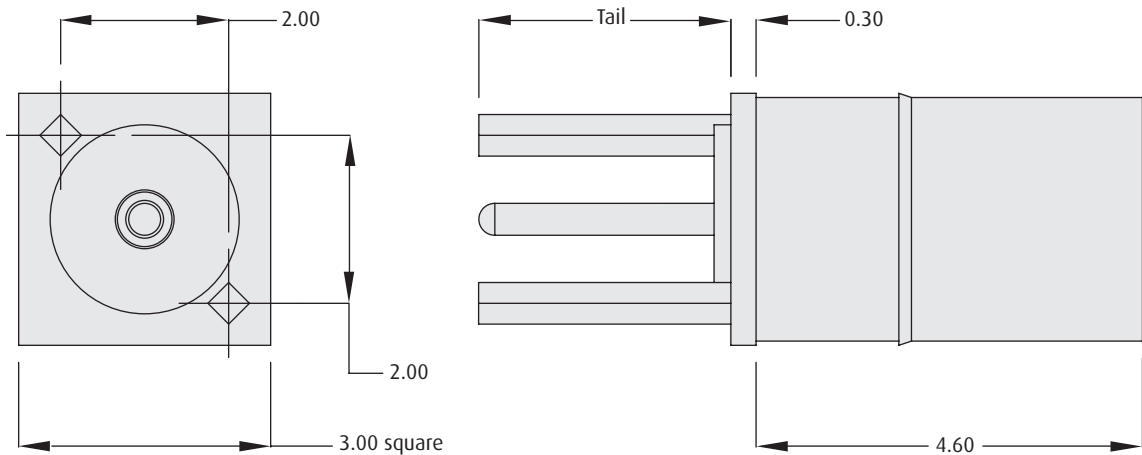
Coax Contacts

Female PC Tail

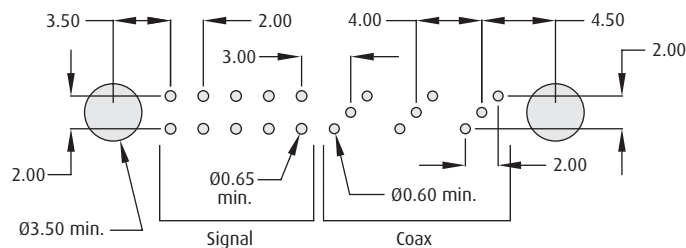
- ❖ 6 GHz coaxial performance.
- ❖ 50 Ohms impedance.



VERTICAL



TAIL LENGTH	ORDER CODE (LOOSE)	PART CODE (FITTED)
3.0mm	M80-301	301
4.5mm	M80-302	302



Pad Layout

All dimensions in mm.

www.harwin.com

