

Customer Information Sheet

DRAWING No.: M80-301 TO M80-302 SHEET 2 OF 2 IF IN DOUBT - ASK © NOT TO SCALE THIRD ANGLE PROJECTION ALL DIMENSIONS IN mm

SPECIFICATIONS:

MATERIALS:

BODY = BRASS
 INNER CONTACT = BERYLLIUM COPPER
 INSULATOR = PTFE

FINISH:

BODY, INNER CONTACT = GOLD

ELECTRICAL:

FREQUENCY RANGE = 6GHz
 IMPEDANCE = 50Ω
 V.S.W.R. = $1.05 + (0.04 \times \text{FREQUENCY}) \text{ GHz MAX}$
 CONTACT RESISTANCE = $6m\Omega \text{ MAX}$

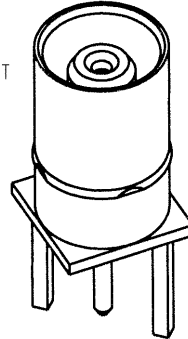
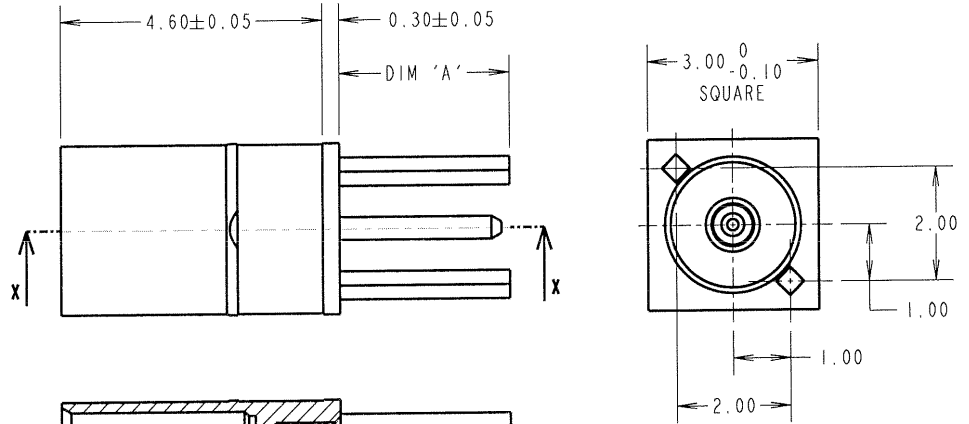
INSULATION RESISTANCE = $10^6 m\Omega @ 250V \text{ AC}$
 OPERATING VOLTAGE = $180V \text{ AC @ } 500mA$
 MAXIMUM VOLTAGE = $1,000V \text{ AC}$

MECHANICAL:

DURABILITY = 500 OPERATIONS
 INSERTION FORCE = $5N \text{ MAX, } 0.6N \text{ MIN}$
 WITHDRAWAL FORCE = $2N \text{ MAX, } 0.5N \text{ MIN}$
 CONTACT REPLACEMENT IN INSULATOR = 5 TIMES

ENVIRONMENTAL:

TEMPERATURE RANGE = $-55^\circ\text{C to } +125^\circ\text{C}$



BMK	IA	20.11.06	9556
NAME	ISS.	DATE	C/NOTE
APPROVED: <i>[Signature]</i>			
CHECKED: <i>[Signature]</i>			
DRAWN:		B. M. KENT	
CUSTOMER REF.:			
ASSEMBLY DRG:			

NOTES:

- CONNECTORS COMES SUPPLIED ASSEMBLED.
- RECOMMENDED PCB HOLE SIZE = $\varnothing 0.60mm \text{ MIN.}$
- FOR ALL OTHER ELECTRICAL/ MECHANICAL REQUIREMENTS, SEE COMPONENT SPECIFICATION C005XX (LATEST ISSUE).

PART No.	DIM 'A'
M80-301	3.00
M80-302	4.50

HARWIN

HARWIN INC U.S.A. TEL: (812) 542 2540 FAX: (812) 542 2541	HARWIN PLC U.K. TEL: 023 9231 4545 FAX: 023 9231 4590	HARWIN PTE SINGAPORE TEL: 65 6779 4909 FAX: 65 6779 3868
--	--	---

THIS DRAWING AND ANY INFORMATION OR DESCRIPTIVE MATTER SET OUT HEREON ARE CONFIDENTIAL AND COPYRIGHT PROPERTY OF THE HARWIN GROUP AND MUST NOT BE DISCLOSED, LOANED, COPIED OR USED FOR MANUFACTURING, TENDERING OR FOR ANY OTHER PURPOSE WITHOUT THEIR WRITTEN PERMISSION.

TOLERANCES
 X. = $\pm 1mm$
 X.X = $\pm 0.25mm$
 X.XX = $\pm 0.10mm$
 X.XXX = $\pm 0.01mm$
 ANGLES = $\pm 5^\circ$
 UNLESS STATED

MATERIAL: SEE ABOVE
FINISH: SEE ABOVE
S/AREA: mm²

TITLE: DATAMATE MIX-TEK
 COAX CONTACT
 FEMALE VERTICAL PC-TAIL

DRAWING NUMBER:
 M80-301 TO M80-302

SHT
 2 OF 2