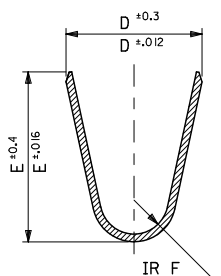
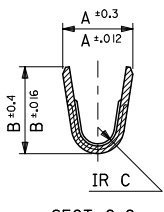
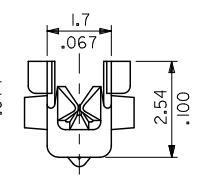
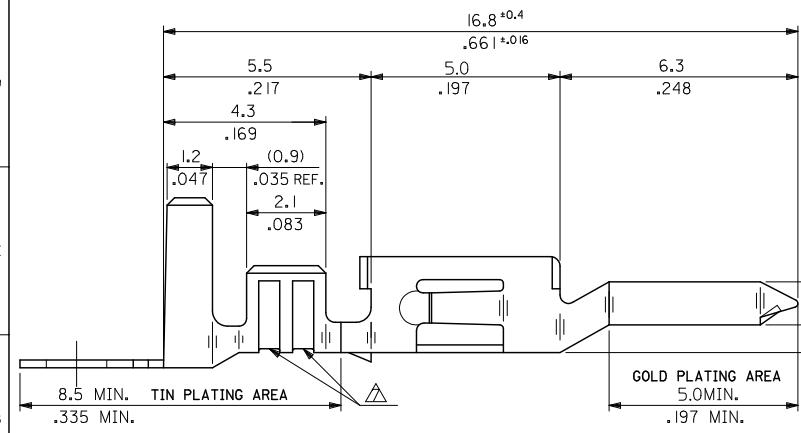
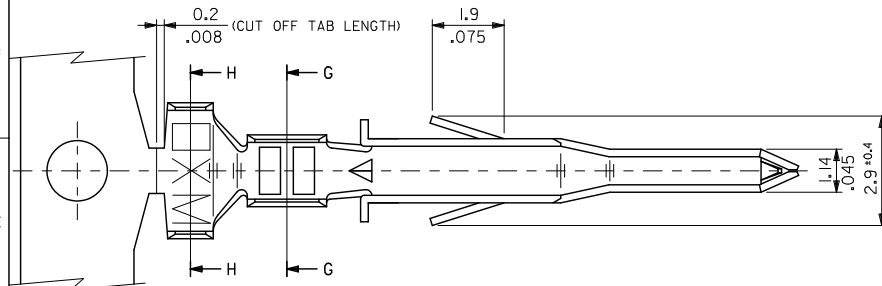


10 9 8 7 6 5 4 3 2 1

NOTES

1. MATERIAL: SEE CHART
2. FINISH: SEE CHART
3. PRODUCT SPECIFICATION: PS-5556-001, PS-5556-002, PS-5556-003.
4. PACKAGING SPECIFICATION: PK-5558-001 FOR CHAIN
PK-5556-003 FOR LOOSE
5. MATES WITH TERMINAL: 5556 SERIES.
6. APPLICABLE HOUSING: 5559, 30068, 42475 SERIES.
7. THE NUMBER OF SERRATIONS TO BE ONE FOR WIRE RANGE #22-28.
8. WHEN TERMINALS ARE INSTALLED IN THE HOUSING THE WIRES ARE TO BE DRESSED IN SUCH A MANNER TO ALLOW THE TERMINALS TO FLOAT FREELY IN THE POCKET.
9. THIS TERMINAL IS DESIGNED FOR SINGLE WIRE CRIMPING.
10. PART CONFORMS TO CLASS "B" REQUIREMENTS OF COSMETIC SPECIFICATION PS-45499-002.



SECT. G-G

SECT. H-H

UPDATE NOTES EC NO: UCP2010-2478 DRWN: JAGUILAR 2010/04/06 CHKD: IRELL '92/05/21 APPR: FSMITH 2010/04/09	QUALITY SYMBOLS 	GENERAL TOLERANCES (UNLESS SPECIFIED)		DIMENSION STYLE MM/IN	SCALE 10:1	DESIGN UNITS METRIC	THIRD ANGLE PROJECTION		
		4 PLACES ± -- ± --	3 PLACES ± -- ± .008	DRAWN BY H. HIRAMOTO	DATE '91/03/13	TITLE MINI-FIT JR SELECT GOLD MALE CRIMP TERMINAL -LEAD FREE-			
		2 PLACES ± 0.20 ± .008	1 PLACE ± 0.2 ± ---	CHECKED BY M. FUKUSHIMA	DATE '92/05/21	MOLEX INCORPORATED			
		ANGULAR ± 3 °		APPROVED BY FSMITH	DATE 2010/04/09	MATERIAL NO. SEE CHART	DOCUMENT NO. SD-5558-002	SHEET NO. 1 OF 2	
DRAFT WHERE APPLICABLE MUST REMAIN WITHIN DIMENSIONS				SIZE B	THIS DRAWING CONTAINS INFORMATION THAT IS PROPRIETARY TO MOLEX INCORPORATED AND SHOULD NOT BE USED WITHOUT WRITTEN PERMISSION				

ib_frame_B_P_ME_T
Rev. F 2009/06/18

9 8 7 6 5 4 3 2 1

10 9 8 7 6 5 4 3 2 1

MATERIAL	FINISH	F	E	D	C	B	A	INS. RANGE	WIRE RANGE	EDP NO.	ENG NO.	FORM	
PHOSPHOR BRONZE	SELECTIVE GOLD 0.76µm /30m.i. MIN. AND SELECTIVE TIN 2.03µm /80m.i. MIN. OVER NICKEL 1.27µm /50m.i. MIN.	0.9	4.5	3.6	0.6	2.7	2.3	∅ 3.1	#16	39-00-0224	5558 PBGS3L	LOOSE	
		.035	.177	.142	.024	.106	.091	.122 MAX.		↑ -0223	↑ PBGS3	CHAIN	
		0.6	2.3	2.3	0.4	1.65	1.8	∅ 0.9-1.8	#22-28	-0222	PBGS2L	LOOSE	
		.024	.091	.091	.016	.065	.071	.035-.071		-0221	PBGS2	CHAIN	
		0.9	4.5	3.6	0.5	2.3	1.9	∅ 1.3-3.1	#18-24	-0220	PBGS1	LOOSE	
		.035	.177	.142	.020	.091	.075	.051-.122		-0219	PBGS	CHAIN	
	BRASS	SELECTIVE GOLD 1.27µm /50m.i. MIN. AND SELECTIVE TIN 2.54µm /100m.i. MIN. OVER NICKEL 1.27µm /50m.i. MIN.	0.9	4.5	3.6	0.6	2.7	2.3	∅ 3.1	#16			
			.035	.177	.142	.024	.106	.091	.122 MAX.		↓ -0147	GS9	CHAIN
			0.6	2.3	2.3	0.4	1.65	1.8	∅ 0.9-1.8	#22-28	↓ -0146	GS8L	LOOSE
			.024	.091	.091	.016	.065	.071	.035-.071		39-00-0145	GS8	CHAIN
			0.9	4.5	3.6	0.5	2.3	1.9	∅ 1.3-3.1	#18-24	40-13-0854	GS7L	LOOSE
			.035	.177	.142	.020	.091	.075	.051-.122		40-13-0853	GS7	CHAIN
SELECTIVE GOLD 0.38µm /15m.i. MIN. AND SELECTIVE TIN 2.03µm /80m.i. MIN. OVER NICKEL 1.27µm /50m.i. MIN.		0.9	4.5	3.6	0.6	2.7	2.3	∅ 3.1	#16	39-00-0100	GS6L	LOOSE	
		.035	.177	.142	.024	.106	.091	.122 MAX.		↑ -0099	GS6	CHAIN	
		0.6	2.3	2.3	0.4	1.65	1.8	∅ 0.9-1.8	#22-28	-0098	GS5L	LOOSE	
		.024	.091	.091	.016	.065	.071	.035-.071		-0097	GS5	CHAIN	
		0.9	4.5	3.6	0.5	2.3	1.9	∅ 1.3-3.1	#18-24	-0076	GS4L	LOOSE	
		.035	.177	.142	.020	.091	.075	.051-.122		-0075	GS4	CHAIN	
SELECTIVE GOLD 0.76µm /30m.i. MIN. AND SELECTIVE TIN 2.03µm /80m.i. MIN. OVER NICKEL 1.27µm /50m.i. MIN.	0.9	4.5	3.6	0.6	2.7	2.3	∅ 3.1	#16					
	.035	.177	.142	.024	.106	.091	.122 MAX.		-0096	GS3L	LOOSE		
	0.6	2.3	2.3	0.4	1.65	1.8	∅ 0.9-1.8	#22-28	-0433	GS2L7F	LOOSE		
	.024	.091	.091	.016	.065	.071	.035-.071		-0432	GS27F	CHAIN		
	0.9	4.5	3.6	0.5	2.3	1.9	∅ 1.3-3.1	#18-24	↓ -0431	↓ GSL7F	LOOSE		
	.035	.177	.142	.020	.091	.075	.051-.122		39-00-0430	5558 GS7F	CHAIN		

F
E
D
C
B
A

UPDATE TITLE BLOCK EC NO: UCP2010-2478 DRWN: JAGUILAR 2010/04/06 CHKD: IRELL 02/05/21 APPR: FSMITH 2010/04/09 DESCRIPTION	QUALITY SYMBOLS	GENERAL TOLERANCES (UNLESS SPECIFIED)	DIMENSION STYLE	SCALE	DESIGN UNITS	THIRD ANGLE PROJECTION
	▽=0	mm INCH	MM/IN	10:1	METRIC	
	▽=0	4 PLACES ± -- ± ---	DRAWN BY DATE	TITLE		
	▽=0	3 PLACES ± -- ± .008	H.HIRAMOTO '91/03/13	MINI-FIT JR SELECT GOLD MALE CRIMP TERMINAL -LEAD FREE-		
	2 PLACES ± 0.20 ± .008	CHECKED BY DATE	MOLEX INCORPORATED			
	1 PLACE ± 0.2 ± ---	M.FUKUSHIMA '92/05/21	MATERIAL NO. DOCUMENT NO. SHEET NO.			
	ANGULAR ± 3 °	APPROVED BY DATE	SD-5558-002 2 OF 2			
		FSMITH 2010/04/09	THIS DRAWING CONTAINS INFORMATION THAT IS PROPRIETARY TO MOLEX INCORPORATED AND SHOULD NOT BE USED WITHOUT WRITTEN PERMISSION			

9 8 7 6 5 4 3 2 1