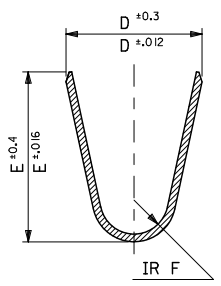
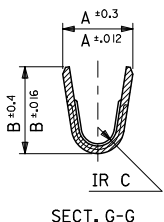
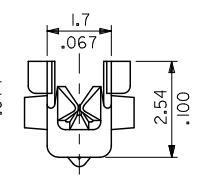
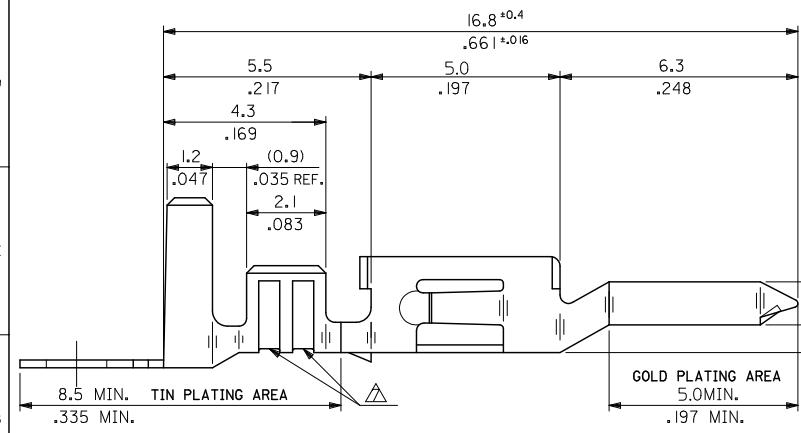
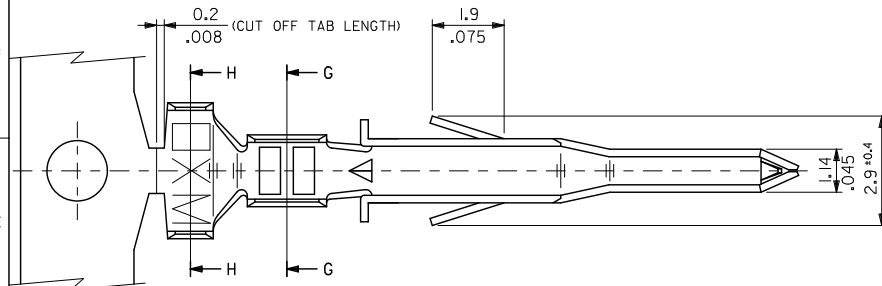


10 9 8 7 6 5 4 3 2 1

**NOTES**

1. MATERIAL: SEE CHART
2. FINISH: SEE CHART
3. PRODUCT SPECIFICATION: PS-5556-001, PS-5556-002, PS-5556-003.
4. PACKAGING SPECIFICATION: PK-5558-001 FOR CHAIN  
PK-5556-003 FOR LOOSE
5. MATES WITH TERMINAL: 5556 SERIES.
6. APPLICABLE HOUSING: 5559, 30068, 42475 SERIES.
7. THE NUMBER OF SERRATIONS TO BE ONE FOR WIRE RANGE #22-28.
8. WHEN TERMINALS ARE INSTALLED IN THE HOUSING THE WIRES ARE TO BE DRESSED IN SUCH A MANNER TO ALLOW THE TERMINALS TO FLOAT FREELY IN THE POCKET.
9. THIS TERMINAL IS DESIGNED FOR SINGLE WIRE CRIMPING.
10. PART CONFORMS TO CLASS "B" REQUIREMENTS OF COSMETIC SPECIFICATION PS-45499-002.



SECT. G-G

SECT. H-H

<b>UPDATE NOTES</b> EC NO: UCP2010-2478 DRWN: JAGUILAR 2010/04/06 CHKD: IRELL '92/05/21 APPR: FSMITH 2010/04/09	QUALITY SYMBOLS	GENERAL TOLERANCES (UNLESS SPECIFIED)	DIMENSION STYLE	SCALE	DESIGN UNITS	THIRD ANGLE PROJECTION
	$\nabla=0$ $\nabla=0$ $\nabla=0$	mm INCH 4 PLACES ± -- ± -- 3 PLACES ± -- ± .008 2 PLACES ± 0.20 ± .008 1 PLACE ± 0.2 ± --- ANGULAR ± 3 °	MM/IN	10:1	METRIC	<input checked="" type="checkbox"/> THIRD ANGLE <input type="checkbox"/> PROJECTION
		DRAFT WHERE APPLICABLE MUST REMAIN WITHIN DIMENSIONS	SEE CHART			

DRAWN BY H. HIRAMOTO DATE '91/03/13 CHECKED BY M. FUKUSHIMA DATE '92/05/21 APPROVED BY FSMITH DATE 2010/04/09		TITLE <b>MINI-FIT JR SELECT GOLD MALE CRIMP TERMINAL -LEAD FREE-</b>	
MATERIAL NO. SEE CHART		DOCUMENT NO. SD-5558-002	
MOLEX INCORPORATED		SHEET NO. 1 OF 2	
THIS DRAWING CONTAINS INFORMATION THAT IS PROPRIETARY TO MOLEX INCORPORATED AND SHOULD NOT BE USED WITHOUT WRITTEN PERMISSION			

Id\_frame\_B\_P\_ME\_T Rev. F 2009/06/18

10 9 8 7 6 5 4 3 2 1

MATERIAL	FINISH	F	E	D	C	B	A	INS. RANGE	WIRE RANGE	EDP NO.	ENG NO.	FORM	
PHOSPHOR BRONZE	SELECTIVE GOLD 0.76µm /30m.i. MIN. AND SELECTIVE TIN 2.03µm /80m.i. MIN. OVER NICKEL 1.27µm /50m.i. MIN.	0.9	4.5	3.6	0.6	2.7	2.3	∅ 3.1	#16	39-00-0224	5558 PBGS3L	LOOSE CHAIN	
		.035	.177	.142	.024	.106	.091	.122 MAX.		↑ -0223	↑ PBGS3	CHAIN	
		0.6	2.3	2.3	0.4	1.65	1.8	∅ 0.9-1.8	#22-28	-0222	PBGS2L	LOOSE CHAIN	
		.024	.091	.091	.016	.065	.071	.035-.071		-0221	PBGS2	CHAIN	
		0.9	4.5	3.6	0.5	2.3	1.9	∅ 1.3-3.1	#18-24	-0220	PBGS1	LOOSE CHAIN	
		.035	.177	.142	.020	.091	.075	.051-.122		-0219	PBGS	CHAIN	
	BRASS	SELECTIVE GOLD 1.27µm /50m.i. MIN. AND SELECTIVE TIN 2.54µm /100m.i. MIN. OVER NICKEL 1.27µm /50m.i. MIN.	0.9	4.5	3.6	0.6	2.7	2.3	∅ 3.1	#16	39-00-0145	GS8	CHAIN
			.035	.177	.142	.024	.106	.091	.122 MAX.		↓ -0146	GS9	CHAIN
			0.6	2.3	2.3	0.4	1.65	1.8	∅ 0.9-1.8	#22-28	40-13-0854	GS7L	LOOSE CHAIN
			.024	.091	.091	.016	.065	.071	.035-.071		40-13-0853	GS7	CHAIN
			0.9	4.5	3.6	0.5	2.3	1.9	∅ 1.3-3.1	#18-24	39-00-0100	GS6L	LOOSE CHAIN
			.035	.177	.142	.020	.091	.075	.051-.122		↑ -0099	GS6	CHAIN
SELECTIVE GOLD 0.38µm /15m.i. MIN. AND SELECTIVE TIN 2.03µm /80m.i. MIN. OVER NICKEL 1.27µm /50m.i. MIN.		0.6	2.3	2.3	0.4	1.65	1.8	∅ 0.9-1.8	#22-28	-0098	GS5L	LOOSE CHAIN	
		.024	.091	.091	.016	.065	.071	.035-.071		-0097	GS5	CHAIN	
		0.9	4.5	3.6	0.5	2.3	1.9	∅ 1.3-3.1	#18-24	-0076	GS4L	LOOSE CHAIN	
		.035	.177	.142	.020	.091	.075	.051-.122		-0075	GS4	CHAIN	
		0.9	4.5	3.6	0.6	2.7	2.3	∅ 3.1	#16	-0096	GS3L	LOOSE CHAIN	
		.035	.177	.142	.024	.106	.091	.122 MAX.		-0095	GS3	CHAIN	
SELECTIVE GOLD 0.76µm /30m.i. MIN. AND SELECTIVE TIN 2.03µm /80m.i. MIN. OVER NICKEL 1.27µm /50m.i. MIN.	0.6	2.3	2.3	0.4	1.65	1.8	∅ 0.9-1.8	#22-28	-0433	GS2L7F	LOOSE CHAIN		
	.024	.091	.091	.016	.065	.071	.035-.071		-0432	GS27F	CHAIN		
	0.9	4.5	3.6	0.5	2.3	1.9	∅ 1.3-3.1	#18-24	↓ -0431	↓ GSL7F	LOOSE CHAIN		
	.035	.177	.142	.020	.091	.075	.051-.122		39-00-0430	5558 GS7F	CHAIN		

<b>UPDATE TITLE BLOCK</b> EC NO: UCP2010-2478 DRWN: JAGUILAR 2010/04/06 CHKD: IRELL 02/05/21 APPR: FSMITH 2010/04/09 DESCRIPTION	<b>QUALITY SYMBOLS</b> ∇=0 ∇=0 ∇=0	<b>GENERAL TOLERANCES (UNLESS SPECIFIED)</b> 4 PLACES ± -- ± --- 3 PLACES ± -- ± .008 2 PLACES ± 0.20 ± .008 1 PLACE ± 0.2 ± ---		<b>DIMENSION STYLE</b> MM/IN		SCALE 10:1	DESIGN UNITS METRIC	THIRD ANGLE PROJECTION
		DRAWN BY H.HIRAMOTO DATE '91/03/13 CHECKED BY M.FUKUSHIMA DATE '92/05/21 APPROVED BY FSMITH DATE 2010/04/09		MATERIAL NO.		DOCUMENT NO.		SHEET NO.
		DRAFT WHERE APPLICABLE MUST REMAIN WITHIN DIMENSIONS		SEE CHART		SD-5558-002		2 OF 2
		THIS DRAWING CONTAINS INFORMATION THAT IS PROPRIETARY TO MOLEX INCORPORATED AND SHOULD NOT BE USED WITHOUT WRITTEN PERMISSION						

Id\_frame\_B\_P\_ME\_T Rev. F 2009/06/18