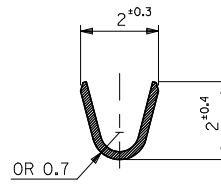
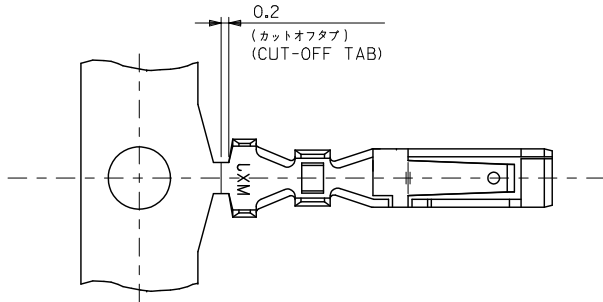
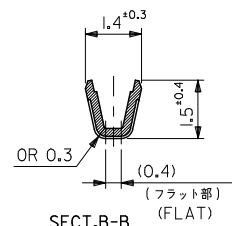


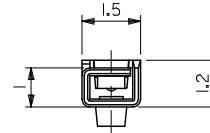
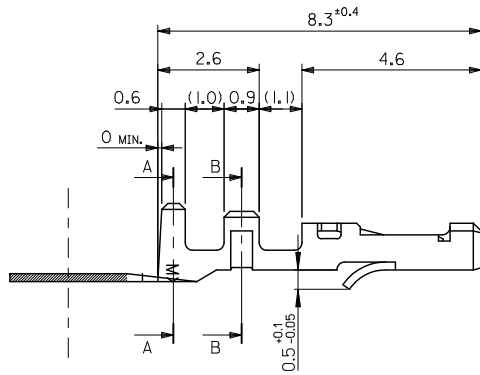
CONFIDENTIAL



SECT.A-A



SECT.B-B



注記
NOTES

- 適合ハウジング : 51005
APPLICABLE HOUSING : 51005
- 嵌合相手 : 50012
MATE WITH : 50012
- ELV 及び RoHS適合品
ELV AND RoHS COMPLIANT.

50013-8100	バラ状 LOOSE
50013-8000	連鎖状 CHAIN
MODEL NO.	MATERIAL NO. 端子形状 FORM

材料 MATERIAL	リン青銅 錫メッキ (t=0.2) PHOS. BRO. PRE-TINNED (t=0.2)
仕上げ FINISH	—
適用電線範囲 WIRE RANGE	AWG#24 ~ #28
被覆外径 INS. RANGE	φ0.9 ~ φ1.15

REVISED	DESCRIPTION	GENERAL TOLERANCES (UNLESS SPECIFIED)
1	10 UNDER	±0.2
2	10 OVER 30 UNDER	±0.25
3	30 OVER	±0.3
4	ANGULAR	±3 °
5	DRAFT WHERE APPLICABLE MUST REMAIN WITHIN DIMENSIONS	

DIMENSION STYLE MM ONLY		SCALE 10:1	DESIGN UNITS METRIC	THIRD ANGLE PROJECTION
DRAWN BY T. YASUI	DATE '95/08/21	TITLE 2.0 WIRE TO WIRE CONN. CRIMP REC.		
CHECKED BY H. HIRAMOTO	DATE '95/08/22	APPROVED BY M. FUKUSHIMA '95/08/22		
MATERIAL NO.		DOCUMENT NO.		
SEE TABLE		SD-50013-001		

MOLEX INCORPORATED		SHEET NO. 1 OF 1
THIS DRAWING CONTAINS INFORMATION THAT IS PROPRIETARY TO MOLEX INCORPORATED AND SHOULD NOT BE USED WITHOUT WRITTEN PERMISSION		