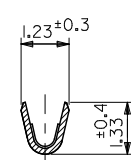
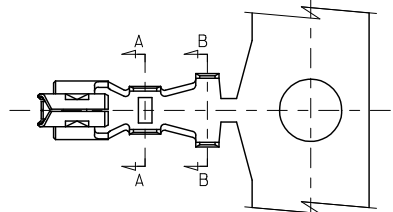


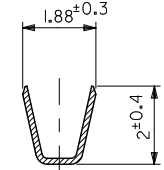
10 9 8 7 6 5 4 3 2 1

注記

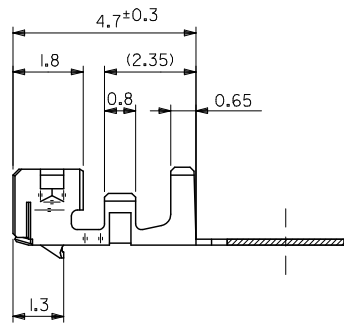
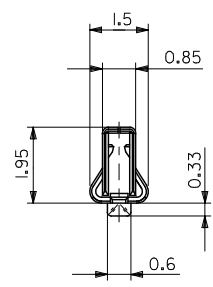
- 適用ハウジング: 51065-\*\*00  
 APPLICABLE HOUSING 51089-\*\*05  
 51090-\*\*00
- 材質:  
 MATERIAL  
 リン青銅  
 PHOSPHOR BRONZE  
 錫メッキ  
 PRE-TINNED  
 $t=0.152$



SECT. A-A



SECT. B-B



50212-8100	バラ状
50212-8000	連鎖状
MATERIAL NO.	端子形状

通用電線範囲 WIRE RANGE	AWG #24~#30
被覆外径 INS RANGE	Ø1.4MAX.

REVISED IEC NO: J2009-2125 DRAWN: C. ARIZONO 2009/03/19 CHECKED: T. HARUYAMA 2009/04/07 APPROVED: N. UKIITA 2009/04/08 DESCRIPTION D REV	GENERAL TOLERANCES (UNLESS SPECIFIED)		DIMENSION STYLE MM ONLY		SCALE 10:1	DESIGN UNITS METRIC	THIRD ANGLE PROJECTION
	10 UNDER	±0.2	DRAWN BY C. ARIZONO	DATE 09/03/19	TITLE NEW 2.0 WIRE TO BOARD CONN. CRIMP RECEPTACLE		
	10 OVER 30 UNDER	±0.25	CHECKED BY T. HARUYAMA	DATE 09/03/19	MOLEX INCORPORATED		
	30 OVER	±0.3	APPROVED BY N. UKIITA	DATE 09/03/19	MATERIAL NO. SEE CHART	DOCUMENT NO. SD-50212-001	SHEET NO. 1 OF 1
ANGULAR ±3°		DRAFT WHERE APPLICABLE MUST REMAIN WITHIN DIMENSIONS		THIS DRAWING CONTAINS INFORMATION THAT IS PROPRIETARY TO MOLEX INCORPORATED AND SHOULD NOT BE USED WITHOUT WRITTEN PERMISSION			