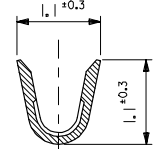
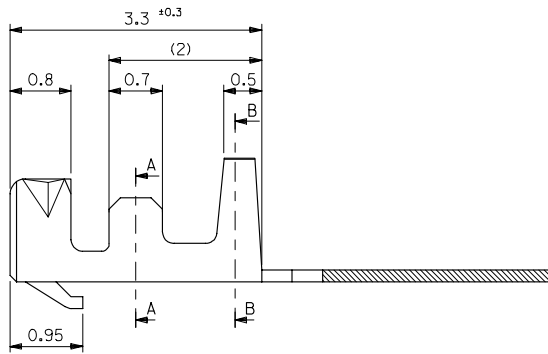
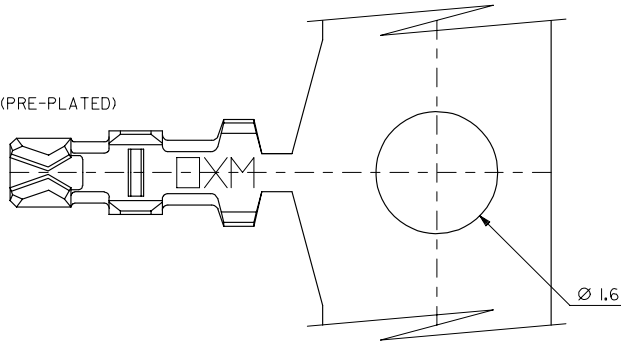
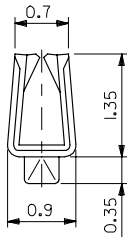
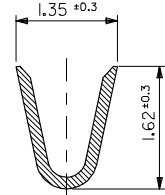


注記
NOTES

- 適合ハウジング：51021シリーズ
APPLICABLE HOUSING : 51021 SERIES
- メッキ仕様 PLATING
鍍 0.9μm MIN. リフロー処理 (前メッキ)
TIN 0.9μm MIN. REFLOW TREATMENT (PRE-PLATED)



SECT. A-A



SECT. B-B

50079-8100	バラ状 LOOSE
50079-8000	連鎖状 CHAIN
	端子形状 FORM

MODEL NO.	50079-8*00	MATERIAL NO.	
GENERAL TOLERANCES (UNLESS SPECIFIED)		SCALE 20:1	
DIMENSION STYLE MM ONLY		DESIGN UNITS METRIC	

材料 MATERIAL	リン青銅 (I=0.15) PHOSPHOR BRONZE
仕上げ FINISH	#
適用巻線範囲 WIRE RANGE	AWG #26-28
巻線外径 INS. RANGE	φ0.5-1.04

REVISED	2004/11/30	2004/11/30	2004/12/06
REVISED	J2005-1535	DRW:SUZUKI	CHK:KOTOJO
REVISED		APP:MIKITA	

GENERAL TOLERANCES (UNLESS SPECIFIED)		DIMENSION STYLE MM ONLY	
10 UNDER	±0.2	DRAWN BY	DATE
10 OVER 30 UNDER	±0.25	HHIRAMOT	92/10/21
30 OVER	±0.3	CHECKED BY	DATE
ANGULAR	±3 °	SKUNISHI	98/07/07
DRAFT WHERE APPLICABLE MUST REMAIN WITHIN DIMENSIONS		APPROVED BY	DATE
		MFUKUSHI	98/07/07

DRAWN BY		DATE	
HHIRAMOT		92/10/21	
CHECKED BY		DATE	
SKUNISHI		98/07/07	
APPROVED BY		DATE	
MFUKUSHI		98/07/07	
MATERIAL NO.		DOCUMENT NO.	
SEE CHART		SD-50079-001	

TITLE		THIRD ANGLE PROJECTION	
1.25 WIRE TO BOARD CONN. CRIMP RECT. TERMINAL -LEAD FREE-		MOLEX INCORPORATED	
MATERIAL NO.		SHEET NO.	
		1 OF 1	

10 9 8 7 6 5 4 3 2 1

F

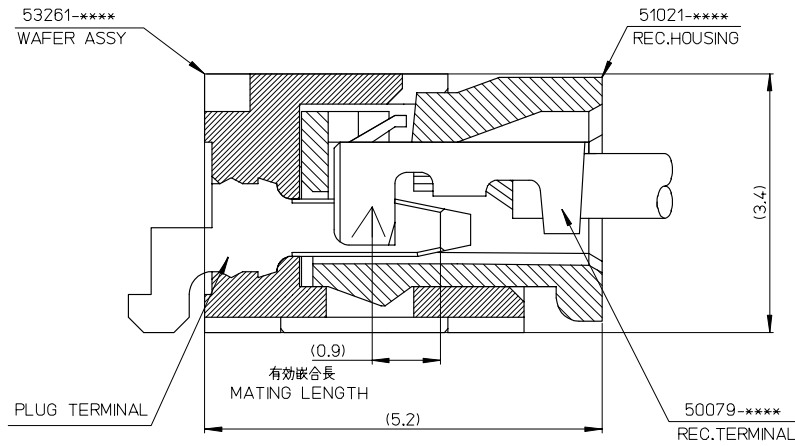
E

D

C

B

A



53261-****	WAFER ASSY	MODEL NO./MATERIAL NO.
50079-****	TERMINAL	
51021-****	HOUSING	

RELEASED EC NO: J2006-2426 DRWN: YAOYAGI CHKC: YMAEDA APPR: NUKITA	2006/02/02	GENERAL TOLERANCES (UNLESS SPECIFIED)		DIMENSION STYLE		SCALE	DESIGN UNITS	THIRD ANGLE PROJECTION
	2006/02/03	10 UNDER ±---		MM ONLY				
	2006/02/07	10 OVER 30 UNDER ±---		DRAWN BY		TITLE		
		30 OVER ±---		Y. AOYAGI		2006/01/30		1.25 W-T-O-B CONN. 51021,53261 MATING CROSS SECTION MOLEX INCORPORATED
		ANGULAR ±--- °		CHECKED BY		DATE		
	DRAFT WHERE APPLICABLE MUST REMAIN WITHIN DIMENSIONS		Y. MAEDA		2006/01/30			
0				APPROVED BY		DOCUMENT NO.		SHEET NO.
				N. UKITA		SD-51021-002		1 OF 1
				MATERIAL NO.		SEE CHART		
				SIZE		THIS DRAWING CONTAINS INFORMATION THAT IS PROPRIETARY TO MOLEX INCORPORATED AND SHOULD NOT BE USED WITHOUT WRITTEN PERMISSION		

fb_frame_A3_1_ME_S
Rev. D 2004/04/02

9

8

7

6

5

4

3

2

EN-02JA(021)