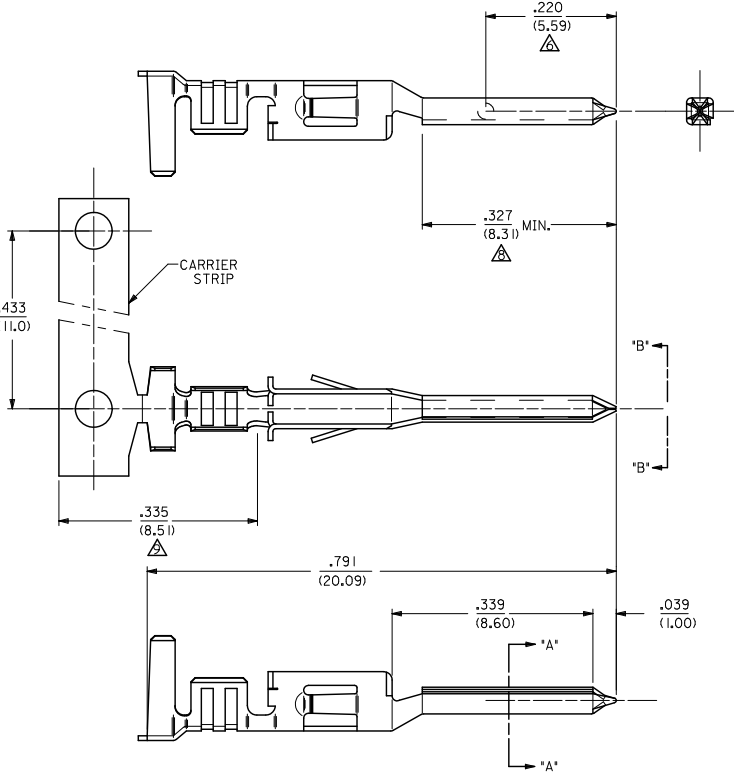
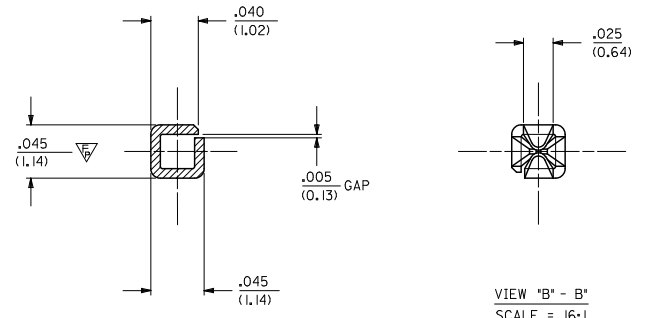


13 12 11 10 9 8 7 6 5 4 3 2 1



NOTES:

- 1- MATERIAL: PHOSPHOR BRONZE ALLOY C52100
- 2- FINISH:
 - (A) - SELECTIVE GOLD PLATE .000030/(0.00076)MIN., AND SELECTIVE TIN .000100/(0.00254) OVER .000050/(0.00127) NICKEL OVERALL.
 - (B) - .000100/(0.00254) TIN OVER .000050/(0.00127) NICKEL.
- 3- PRODUCT SPECIFICATION: TBD.
- 4- PACKAGING INFORMATION: SEE SHEET 2 FOR CHAIN PK-5556-003 FOR LOOSE TERMINALS
- 5-FOR USE WITH ASSEMBLY NO. A-30490-0001.
- △-MEASURING POINT FOR PLATING THICKNESS.
- ▽ 7-TERMINAL CANNOT BE USED IN 42475 OR 43558 HOUSINGS.
- △ -GOLD PLATING AREA.
- △ -TIN PLATING AREA.



SECTION "A - A"
SCALE = 16:1

VIEW "B - B"
SCALE = 16:1

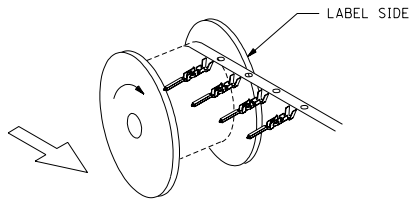
30490-9902	B	CHAIN	RIGHT TO LEFT (SEE SHT. 2)	4000	18-24
30490-9802	A	CHAIN	RIGHT TO LEFT (SEE SHT. 2)		
30490-2012	B	LOOSE		4000	18-24
30490-2002	B	CHAIN	LEFT TO RIGHT (SEE SHT. 2)		
30490-1012	A	LOOSE		4000	18-24
30490-1002	A	CHAIN	LEFT TO RIGHT (SEE SHT. 2)		
ITEM NO.	PLATING	FORM	UNREEL DIRECTION	QTY. PER REEL	WIRE GAGE REF.
AFTER PLATING					

<p>CORRECTED NOTE 4 EC NO. UAL2011-0264 DRAWN: JAGUILAR 2010/09/30 CHKD: MKNACK APPR: MKNACK 2011/01/28</p>	QUALITY SYMBOLS	GENERAL TOLERANCES (UNLESS SPECIFIED)	DIMENSION STYLE	SCALE	DESIGN UNITS	THIRD ANGLE PROJECTION
	▽=0	4 PLACES ± .010 ± .010	IN/MM	8:1	INCH	
	▽=0	3 PLACES ± .010 ± .010				
	▽=2	2 PLACES ± 0.25 ± .015 1 PLACE ± 0.38 ± .015 ANGULAR ± 5°				
		DRAFT WHERE APPLICABLE MUST REMAIN WITHIN DIMENSIONS	SEE CHART	MOLEX INCORPORATED SD-30490-***2		SHEET NO. 1 OF 2

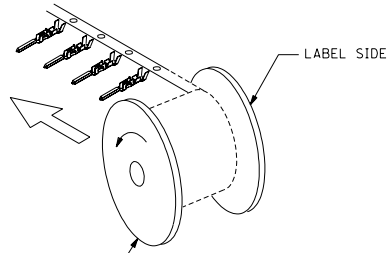
lb_frame_C.P.ME.T
Rev. F 2009/06/18

13 12 11 10 9 8 7 6 30490 4 3 2 1

LEFT TO RIGHT
UNREELING



RIGHT TO LEFT
UNREELING



RED FLANGE NO. 70180-0659
EDP NO. 85-06-0002
FOR (RED) 3 REEL CARTON
PART NO. 70180-0479
EDP NO. 85-01-0479

THIS IS SPECIAL PACKAGING -
ALL NON-AIRBAG CUSTOMERS
WILL USE STANDARD PACKAGING

SEE SHEET 1
PDC 94/12/09

MFG, SHL, REV, LTR, REVISIONS

DIMENSIONS SHOWN IN METRIC INCH		∇ = 0		▽ = 0		REVISE ONLY ON CAD SYSTEM	
TOLERANCES UNLESS SPECIFIED		TOLERANCES ANGULAR ± 1/2°		TITLE		CRIMP TERMINAL MINI-FIT STYLE	
DRAFT WHERE APPLICABLE MUST REMAIN WITHIN DIMENSIONS		MOLEX INCORPORATED 60532 U.S.A.		SHEET NO. 2		DATE 92/1/22	
PART NO. 30490-***2		DRWG. NO. SD-30490-***2		FILE NAME ST304902		NO DRAWING CONTAINS INFORMATION THAT IS PROPRIETARY TO MOLEX INC. AND SHOULD NOT BE USED WITHOUT WRITTEN PERMISSION.	
APP'D.	SCALE	BY	DATE	BY	DATE	BY	DATE

13 12 11 10 9 8 7 6 5 4 3 2 1 NO P.S.