

| ITEM NO. | FORM | WIRE GAGE | QUANTITY PER REEL | DIM. "B" | DIM. "C" | DIM. "D" | DIM. "E" | DIM. "F" | DIM. "G" |
|------------|-------|-----------|-------------------|-------------|-------------|----------|-------------|-------------|----------|
| 44476-1111 | CHAIN | 18-20 GA. | 4,000 | .142±.012 | .177±.016 | .035 | .075±.012 | .091±.016 | .020 |
| 44476-1112 | LOOSE | | | (3.60±0.30) | (4.50±0.40) | (0.90) | (1.90±0.30) | (2.30±0.40) | (0.50) |
| 44476-3111 | CHAIN | 16 GA. | 4,000 | .142±.012 | .177±.016 | .035 | .091±.012 | .106±.016 | .024 |
| 44476-3112 | LOOSE | | | (3.60±0.30) | (4.50±0.40) | (0.90) | (2.30±0.30) | (2.70±0.40) | (0.60) |

LEGEND:

44476 - * * | *

BASE NO. _____

WIRE GAGE _____

1 = 18-20 AWG

3 = 16 AWG

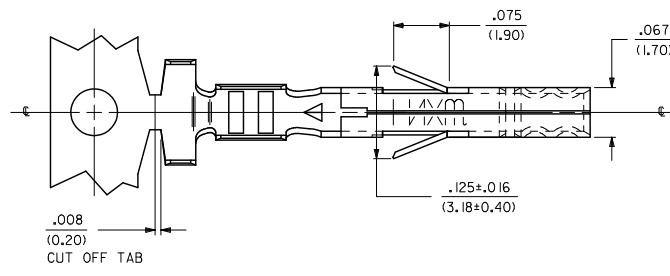
PLATING _____

SEE NOTE 2

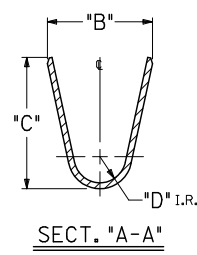
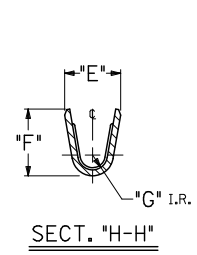
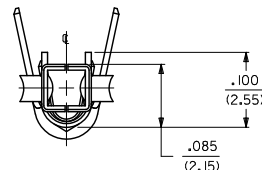
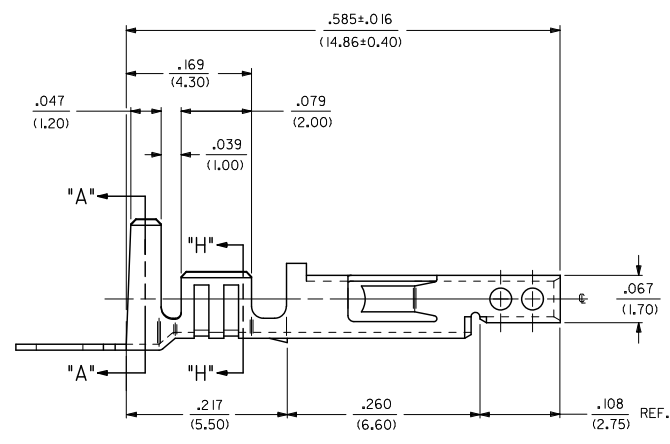
CHAIN OR LOOSE _____

*1 = CHAIN

*2 = LOOSE



- NOTES:
- MATERIAL: COPPER ALLOY, .008/(.203) THICK.
 - FINISH:
 - *1 = POSTPLATE .000100/(.00254) MIN. BRIGHT TIN OVER .000050/(0.00127) MIN. NICKEL OVERALL.
 - *THE PRIMARY SHIPPING CARTON WILL BE LABELED "COMPLIANT TO RoHS DIRECTIVE 2002/95/EC AND ELV ANNEX II OF DIRECTIVE 2000/53/EC." CARTONS WITHOUT THIS LABEL MAY CONTAIN PRODUCT WITH TIN-LEAD PLATING.
 - PRODUCT SPECIFICATION AND PROCESSING PARAMETERS: SEE PS-44476-001.
 - PACKAGING SPECIFICATION: PK-44476-001 FOR CHAIN TERMINALS
PK-5556-003 FOR LOOSE TERMINALS
 - MATES WITH 44478 MALE TERMINAL AND 43810, 44068, 44472, 44473, 44474, 42404, 5569 AND 30070 SERIES CONNECTORS.
 - TERMINAL FOR USE WITH 5557, 30067 & 42474 SERIES HOUSINGS.
 - ITEM NUMBERS PRECEDED BY AN "X" IN THE CHART ARE NOT AVAILABLE.



| | | | | | | | |
|--|--------------------------|--|---|---|---|------------------------|------------------|
| CHANGED NOTE 4 EC NO. UCP2010-0471 DRAWN: JAGUILAR 2009/12/23 CHKD: JEBEL 2009/12/23 APPROV: SMITH 2009/12/28 REV. DESCRIPTION | QUALITY SYMBOLS | GENERAL TOLERANCES (UNLESS SPECIFIED) | DIMENSION STYLE IN/MM | SCALE 10:1 | DESIGN UNITS METRIC | THIRD ANGLE PROJECTION | |
| | $\nabla=0$ $\nabla=0$ | 4 PLACES ±.010 ±.010 3 PLACES ±.010 ±.010 2 PLACES ±.025 ±.014 1 PLACE ±.038 ±.010 ANGULAR ±1/2° | DRAWN BY GEP DATE 1992/09/14 CHECKED BY R/JF DATE 1992/09/14 APPROVED BY R/JF DATE 1992/09/14 | TITLE | TERMINAL, FEMALE, CRIMP MINI-FIT H.C.S. SERIES BLANK-PLATE-FORM | | |
| | | DRAFT WHERE APPLICABLE MUST REMAIN WITHIN DIMENSIONS | SEE CHART | MOLEX INCORPORATED MATERIAL NO. SD-44476-**** DOCUMENT NO. | | | SHEET NO. 1 OF 1 |
| | | | | THIS DRAWING CONTAINS INFORMATION THAT IS PROPRIETARY TO MOLEX INCORPORATED AND SHOULD NOT BE USED WITHOUT WRITTEN PERMISSION | | | |