

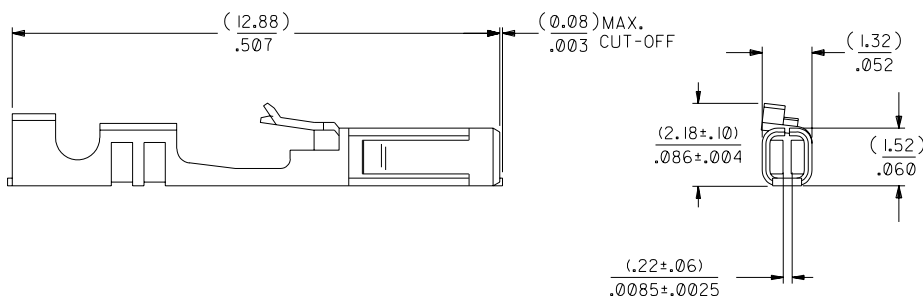
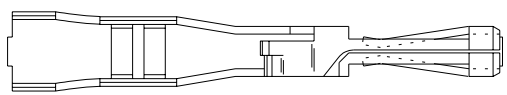
NOTES:

1. TERMINAL TO BE USED IN HOUSINGS 70066-**** AND 70450-****
2. REFER TO PRODUCT SPECIFICATION PS-70058
3. REFER TO MOLEX OPERATIONS AND SERVICE MANUAL FOR CRIMP DETAILS
4. TERMINAL TO BE USED WITH (0.64)/.025 SQUARE PINS
5. TERMINAL TO BE USED WITH 22-24 AWG STRANDED WIRE WITH (1.63)/.064 MAX. DIA. INSULATION
6. TERMINALS SUPPLIED LOOSE PER DRAWING PK-70873-0822

*THE PRIMARY SHIPPING CARTON WILL BE LABELED *COMPLIANT TO RoHS DIRECTIVE 2002/95/EC AND ELV ANNEX II OF DIRECTIVE 2000/53/EC*. CARTONS WITHOUT THIS LABEL MAY CONTAIN PRODUCT WITH LEAD.

PLATING:

.000015 MIN. GOLD PLATE IN SELECT AREA,
 .000075 MIN. TIN PLATE IN SELECT AREA,
 OVER NICKEL PLATE OVERALL.



		CI		REVISED PER ECR #U70928 MCGRATH 97/06/26	DIMENSIONS SHOWN (METRIC) INCH UNLESS OTHERWISE SPECIFIED TOLERANCES: ANGULAR ± 1/2°		▽ = 0 ▼ = 0 REVISE ONLY ON CAD SYSTEM	
D		C		LEAD FREE UCP2004-1769 RWHITE 04/03/11	INCH METRIC		TITLE	
C2		B		REVISED ECR #U80270 MCGRATH 97/07/31	3 PLACE ± .005 ---		TERMINAL - BOX/CRIMP	
LTR.		LTR.		REVISIONS	2 PLACE ± .01 ± 0.13		MOLEX INCORPORATED SHEET NO. DATE	
				REVISIONS	1 PLACE --- ± 0.25		LITSE,ILL. 60932 U.S.A. 1 OF 1 03/02/88	
					DRAFT WHERE APPLICABLE MUST REMAIN WITHIN DIMENSIONS		PART NO. DRWG. NO.	
					DRWG. BY: JAS CHK'D. BY:		016-02-0103 SD-70058-0224	
					APP'D. BY: SCALE 10:1		FILE NAME: 570058C6 DGN	
							THIS DRAWING CONTAINS INFORMATION THAT IS PROPRIETARY TO MOLEX INC. AND SHOULD NOT BE USED WITHOUT WRITTEN PERMISSION.	
							DIV. SIZE DA B	