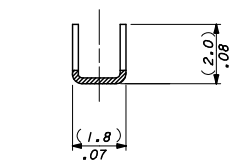


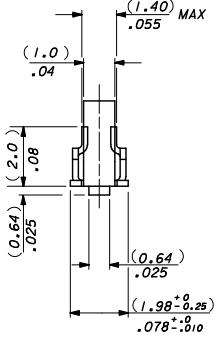
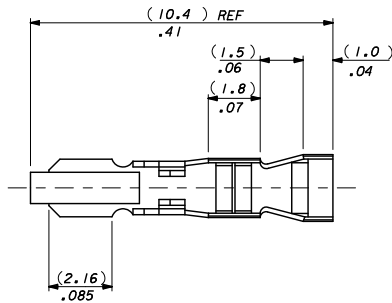
13 12 11 10 9 8 7 6 5 4 3 2 1

NOTES:

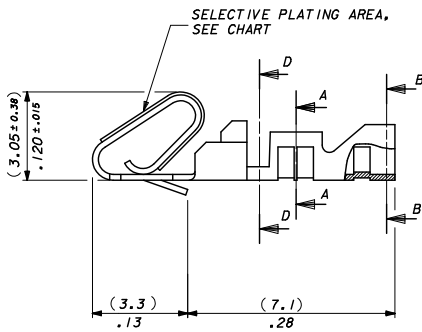
1. MATERIAL: (0.21)/.008 THICK BRASS.
2. FINISH: SEE SHEET 2.
3. THIS PART CONFORMS TO PRODUCT SPEC. 99020-0088.
4. TERMINAL MUST MEET BEND SPEC. SDES-219.
5. SUITABLE FOR 22-30 GA. WIRE, (1.57)/.062 MAX. INSULATION.
6. THIS PART CONFORMS TO CLASS B REQUIREMENTS OF COSMETIC SPECIFICATION PS-45499-002.



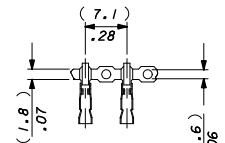
SECTION D-D
(4809-IT ONLY)



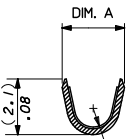
SECTION B-B



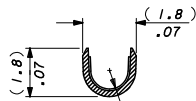
SELECTIVE PLATING AREA,
SEE CHART



CARRIER STRIP DETAIL
SCALE 2x1



SECTION A-A



SECTION A-A

4809-(*)**
 PLATING CODE
 BLANK : DIM. A = (2.1) / 1.083 REF.
 M: DIM A = (2.2) / .087 REF.
 BLANK*CHAIN FORM TOP FEEDING REEL
 L*LOOSE FORM

CORRECT PLATING EC NO. UCP2011-2131 DRAWN/STWART 2011/01/18 CHK/CHK PPER 2011/01/26 APPROV/SMITH 2011/02/04	QUALITY SYMBOLS ▽=0 ▽=0 ▽=0	GENERAL TOLERANCES (UNLESS SPECIFIED)		DIMENSION STYLE		SCALE	DESIGN UNITS	THIRD ANGLE PROJECTION		
				MM/IN		10:1	METRIC			
				DRAWN BY DATE		TITLE				
				CHECKED BY DATE		ANTI-FISH HOOKING TERMINAL KK.(2.50)/.100				
		2 PLACES ±0.25 ±.014		DMORIARTY 2004/10/18		MATERIAL NO. DOCUMENT NO. SHEET NO.				
		1 PLACE ±0.35 ±---		APPROVED BY DATE		MOLEX INCORPORATED		SD-4809-* 1 OF 2		
		ANGULAR ±---°		JDENNEHY 2004/10/19		THIS DRAWING CONTAINS INFORMATION THAT IS PROPRIETARY TO MOLEX INCORPORATED AND SHOULD NOT BE USED WITHOUT WRITTEN PERMISSION				
DRAFT WHERE APPLICABLE MUST REMAIN WITHIN DIMENSIONS		SEE CHART								

12 11 10 9 8 7 6 5 4 3 2 1

13 12 11 10 9 8 7 6 5 4 3 2 1

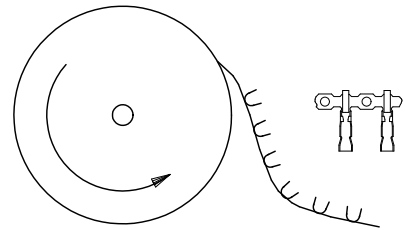
FINISH NOTES*

(550) GOLD PLATE (0.00038)/.000015 MIN. OVER (0.00076)/.000030 MIN. NICKEL

IN CONTACT AREA WITH (0.00005)/.000002 MIN. GOLD FLASH OVERALL.

(555) SELECTIVE GOLD (0.00038)/.000015 MIN. OVER (0.00076)/.000030 MIN. NICKEL IN CONTACT AREA ONLY.

(P918) HOT TIN DIP (0.00102-0.00305)/.000040-.000120



TERMINALS FEEDING FROM THE TOP OF THE REEL ARE STANDARD WOUND

08-55-0110	4809-(555)	CHAIN	(555)	(2.45 - 1.75)/ .096 - .069
08-55-0111	↑-(555)L	LOOSE		
08-56-0120	-(550)	CHAIN	(550)	(2.45 - 1.75)/ .096 - .069
08-56-0115	-(550)L	LOOSE		
08-50-0135	↓-(P918)	CHAIN	(P918)	(2.45 - 1.75)/ .096 - .069
08-50-0136	4809-(P918)L	LOOSE		
PART No	ENG No	FORM	FINISH	DIM . A

TOP FEEDING REELS ONLY

CORRECT PLATING EC NO. UCP201-2131 DRAWN BY CHKD BY APPROVED BY	QUALITY SYMBOLS ▽=0 ▽=0 ▽=0	GENERAL TOLERANCES (UNLESS SPECIFIED)		DIMENSION STYLE		SCALE	DESIGN UNITS	THIRD ANGLE PROJECTION
		mm	INCH	MM/IN		NTS	METRIC	
		4 PLACES ±--- ±---		DRAWN BY	DATE	TITLE		
		3 PLACES ±--- ±.010		MCC	1986/07/30	ANTI-FISH HOOKING TERMINAL KK.(2.50)/.100		
2 PLACES ±0.25 ±.014		CHECKED BY	DATE	MATERIAL NO.		DOCUMENT NO.	SHEET NO.	
1 PLACE ±0.35 ±---		DMORIART	2004/10/18	SEE CHART		SD-4809-*	2 OF 2	
ANGULAR ±---°		APPROVED BY	DATE	THIS DRAWING CONTAINS INFORMATION THAT IS PROPRIETARY TO MOLEX INCORPORATED AND SHOULD NOT BE USED WITHOUT WRITTEN PERMISSION				
		JDENNEHY	2004/10/19					

12 11 10 9 8 7 6 5 4 3 2 1