

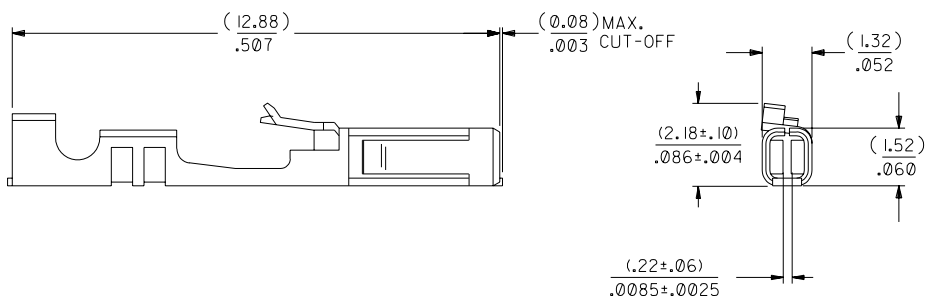
NOTES:

1. TERMINAL TO BE USED IN HOUSINGS 70066-**** AND 70450-****
2. REFER TO PRODUCT SPECIFICATION PS-70058
3. REFER TO MOLEX OPERATIONS AND SERVICE MANUAL FOR CRIMP DETAILS
4. TERMINAL TO BE USED WITH (0.64)/.025 SQUARE PINS
5. TERMINAL TO BE USED WITH 24-30 AWG STRANDED WIRE WITH (1.52)/.060 MAX. DIA. INSULATION
6. TERMINALS SUPPLIED LOOSE PER DRAWING PK-70873-0822
7. CRIMP SIZE INDICATOR A=24-30 AWG

*THE PRIMARY SHIPPING CARTON WILL BE LABELED *COMPLIANT TO RoHS DIRECTIVE 2002/95/EC AND ELV ANNEX II OF DIRECTIVE 2000/53/EC*. CARTONS WITHOUT THIS LABEL MAY CONTAIN PRODUCT WITH LEAD.

PLATING:

.000015 MIN. GOLD PLATE IN SELECT AREA,
.000075 MIN. TIN PLATE IN SELECT AREA,
OVER NICKEL PLATE OVERALL.



D	LEAD FREE UCP2004-1769 RWHITE 04/03/11	CI	REVISED PER ECR #U70928 MCRATH 97/06/26
C3	ADD CRP SIZE&NOTE 7 ECN UDT1998-0183 MOWANG 04/17/98	C	REVISE PER ECR# U82218 11-07-88 MJM/MGB
C2	REVISED ECR #U80270 MCRATH 97/07/31	B	REDRAWN & REVISED PER ECR #U81133 03/02/88 MJM/JAS
LTR.	REVISIONS	LTR.	REVISIONS

DIMENSIONS SHOWN (METRIC) INCH
UNLESS OTHERWISE SPECIFIED
TOLERANCES: ANGULAR ± 1/2°

	INCH	METRIC
3 PLACE	± .005	---
2 PLACE	± .01	± 0.13
1 PLACE	---	± 0.25

DRAFT WHERE APPLICABLE MUST
REMAIN WITHIN DIMENSIONS

DRWG. BY: JAS CHK'D. BY: SCALE: 10:1

APPD. BY: FILE NAME: S70058A6 DGN

REVISIONS ONLY ON CAD SYSTEM

TITLE: TERMINAL - BOX/CRIMP

MOLEX INCORPORATED SHEET NO. 1 OF 1 DATE 03/02/88
LITTLE,ILL. 60932 U.S.A.

PART NO. 016-02-0097 DRWG. NO. SD-70058-0206

THIS DRAWING CONTAINS INFORMATION THAT IS PROPRIETARY TO MOLEX INC. AND SHOULD NOT BE USED WITHOUT WRITTEN PERMISSION.

DIV. DA SIZE B