

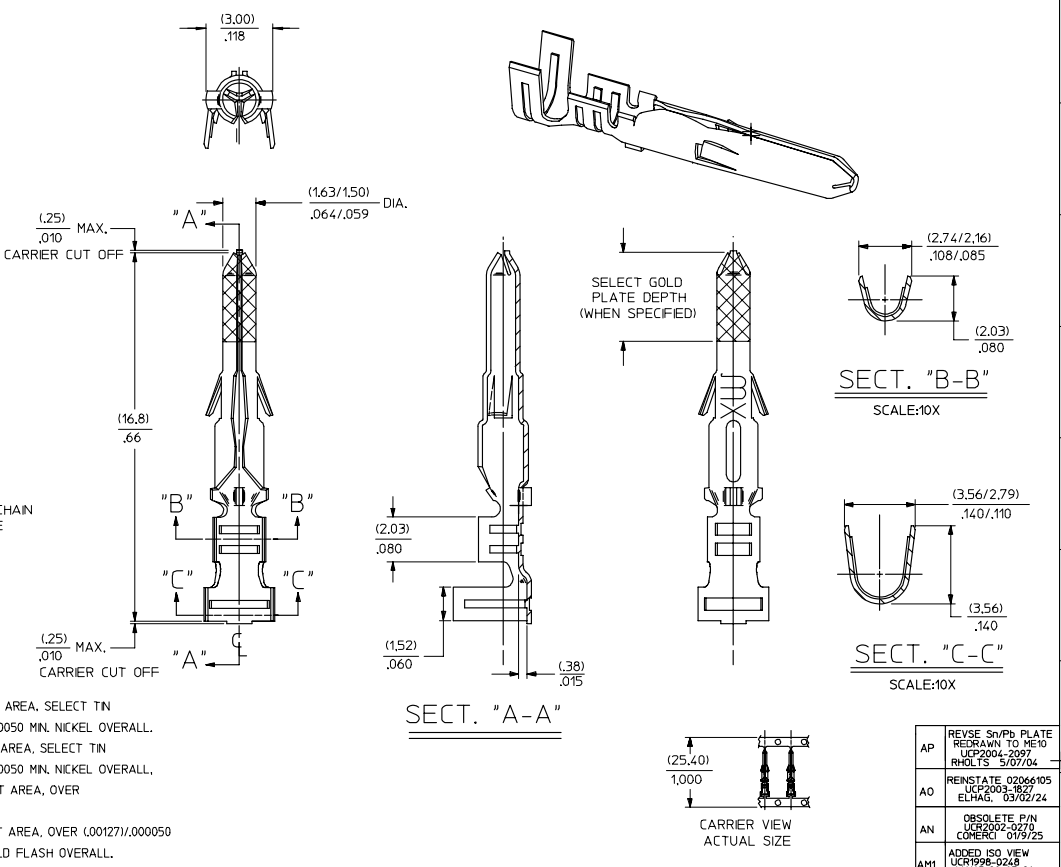
13 12 11 10 9 8 7 6 5 4 3 2 1560

PART NO.	ENG. NO.
02-06-2101	1560-(P901)
02-06-2103	1560-(P901)IL
02-06-6101	1560-(561)
02-06-6102	1560-(561)IL
02-06-6118	1560-(228)
02-06-6119	1560-(228)IL
02-06-6116	1560-(231)
02-06-6112	1560-(231)IL
02-06-6100	1560-(550)
02-06-6103	1560-(550)IL
02-06-6105	1560-(591)
02-06-6104	1560-(591)IL

LEGEND

1560-(****)*
 P=PREPLATE
 BLANK=POSTPLATE
 FINISH CODE
 FORM BLANK=CHAIN
 L=LOOSE

- NOTES:
- MATERIAL: BRASS
 - FINISHES:
 - 901 HOT TIN DIP (.00051)/.000020 MIN.
 - *228 SELECT GOLD PLATE (.00075)/.000030 MIN. IN CONTACT AREA, SELECT TIN (.00250)/.000100 MIN. IN CRIMP AREA OVER (.00125)/.000050 MIN. NICKEL OVERALL.
 - *231 SELECT GOLD PLATE (.00125)/.000050 MIN. IN CONTACT AREA, SELECT TIN (.00250)/.000100 MIN. IN CRIMP AREA OVER (.00125)/.000050 MIN. NICKEL OVERALL.
 - 561 SELECT GOLD PLATE (.00076)/.000030 MIN. IN CONTACT AREA, OVER (.00127)/.000050 MIN. NICKEL OVERALL.
 - 591 SELECT GOLD PLATE (.00127)/.000050 MIN. IN CONTACT AREA, OVER (.00127)/.000050 MIN. NICKEL OVERALL WITH (.000025)/.000010 MAX. GOLD FLASH OVERALL.
 - 550 SELECT GOLD PLATE (.00038)/.000015 MIN. IN CONTACT AREA, OVER (.00076)/.000030 MIN. NICKEL OVERALL WITH (.000025)/.000010 MAX. GOLD FLASH OVERALL.
 - THE PRIMARY SHIPPING CARTON WILL BE LABELED, 'COMPLIANT TO RoHS DIRECTIVE' 2002/95/EC AND ELY ANNEX II OF DIRECTIVE 2000/53/EC. AND CARTONS WITHOUT THIS LABEL MAY CONTAIN PRODUCT WITH TIN-LEAD.
 - PRODUCT SPECIFICATION: PS-02-06
 - PACKAGING INFORMATION: NOT AVAILABLE
 - TERMINAL FOR USE WITH (.157)/.062 DIA. SERIES HOUSINGS AND WILL ACCEPT 18 THRU 24 AWG WIRE.



REFER TO REVISION BLOCK EC NO. 2002/006/2097 DRAWN: RHOLTS 2004/05/14 CHKD: CHKO 2004/05/14 APPR: F SMITH 2004/05/18	QUALITY SYMBOLS	GENERAL TOLERANCES (UNLESS SPECIFIED)	SCALE 8:1	DESIGN UNITS INCH	THIRD ANGLE PROJECTION	REVISE ON CAD ONLY
	4 PLACES ± .005 ± .005	mm INCH	DIMENSION STYLE IN/MM	TITLE	CRIMP TERMINAL, MALE	
	3 PLACES ± .005 ± .010		DRAWN BY DATE	DATE	.062 DIA. FOR 18-24 AWG	
	2 PLACES ± .005 ± .014		GEP DATE	DATE	WIRE	
	1 PLACE ± .005 ± .018		CHECKED BY DATE	DATE		
ANGULAR ± 1/2°		RW DATE	DATE	MATERIAL NO. MOLEX INCORPORATED		
	DRAFT WHERE APPLICABLE	APPROVED BY DATE	DATE	DOCUMENT NO. SD-1560-*	SHEET NO. 1 OF 1	
	MUST REMAIN WITHIN DIMENSIONS	RAS DATE	DATE	THIS DRAWING CONTAINS INFORMATION THAT IS PROPRIETARY TO MOLEX INCORPORATED AND SHOULD NOT BE USED WITHOUT WRITTEN PERMISSION		

12 11 10 9 8 7 6 5 4 3 2 1

tb_frame_C_P_ME_T Rev. C 2002/05/05