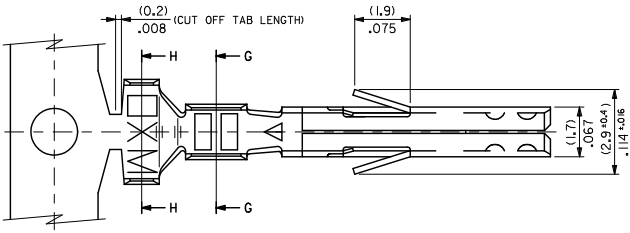
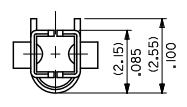
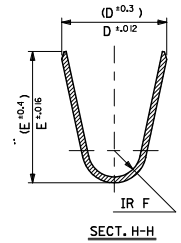
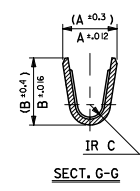
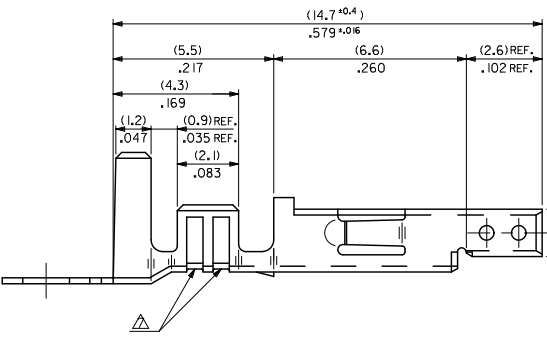


13 12 11 10 9 8 7 6 5 4 3 2 1



NOTES

1. MATERIAL: SEE CHART.
2. FINISH: SEE CHART.
3. PRODUCT SPECIFICATION: PS-5556-001, PS-5556-002, PS-5556-003.
4. PACKAGING SPECIFICATION: PK-5556-001 FOR CHAIN TERMINALS, PK-5556-003 FOR LOOSE TERMINALS.
5. MATES WITH: 5558, 5566, 5569, 30069, 30070, 42440, 42404, 43879, 43810, 44068.
6. APPLICABLE HOUSING: 5557, 30067, 44516, OR 42474.
7. THE NUMBER OF SERRATIONS TO BE ONE FOR WIRE RANGE #22-28.
8. WHEN TERMINALS ARE INSTALLED IN THE HOUSING THE WIRES ARE TO BE DRESSED IN SUCH A MANNER TO ALLOW THE TERMINALS TO FLOAT FREELY IN THE POCKET.
9. THIS TERMINAL IS DESIGNED FOR SINGLE WIRE CRIMPING.
10. PART CONFORMS TO CLASS 'B' REQUIREMENTS OF COSMETIC SPECIFICATION PS-45499-002.



UPDATE VIEW E.C. NO. UEP2011-2362 DRAWN: JAGUILAR 2011/02/09 CHECKED: BELL 2011/02/09 APPROVED: SMITH 2011/02/21	QUALITY SYMBOLS ∇=0 ∇=0 ∇=0	GENERAL TOLERANCES (UNLESS SPECIFIED)		DIMENSION STYLE MM/IN		SCALE 10:1	DESIGN UNITS METRIC	THIRD ANGLE PROJECTION	
		4 PLACES ± .005 ± .005	mm INCH	DRAWN BY HIRAMOTO	DATE 1991/05/18	TITLE MINI FIT JR OVERALL TIN FEMALE CRIMP TERMINAL			
		3 PLACES ± .008 ± .008		CHECKED BY FUKSHIMA	DATE 1998/11/09	MOLEX INCORPORATED			
		2 PLACES ± 0.2 ± .008 1 PLACE ± 0.2 ± .008		APPROVED BY FSMITH	DATE 2011/02/21	MATERIAL NO. SEE CHART	DOCUMENT NO. SD-5556****	SHEET NO. 1 OF 2	
DRAFT WHERE APPLICABLE MUST REMAIN WITHIN DIMENSIONS		THIS DRAWING CONTAINS INFORMATION THAT IS PROPRIETARY TO MOLEX INCORPORATED AND SHOULD NOT BE USED WITHOUT WRITTEN PERMISSION							

12 11 10 9 8 7 6 5 4 3 2 1

13 12 11 10 9 8 7 6 5 4 3 2 1

TIN OVER NICKEL PLATED PHOSPHOR BRONZE	(0.9) .035	(4.5) .177	(3.6) .142	(0.6) .024	(2.7) .106	(2.3) .091	∅ (3.1) .122 MAX.	# 16	39-00-0119	5556 PBS3L	LOOSE
	(0.6) .024	(2.3) .091	(2.3) .091	(0.4) .016	(1.65) .065	(1.8) .071	(0.9-1.8) ∅ .035-.071	#22-28	-0118	PBS3	CHAIN
	(0.6) .024	(2.3) .091	(2.3) .091	(0.4) .016	(1.65) .065	(1.8) .071	(0.9-1.8) ∅ .035-.071	#22-28	-0117	PBS2L	LOOSE
TIN PLATED PHOSPHOR BRONZE	(0.9) .035	(4.5) .177	(3.6) .142	(0.5) .020	(2.3) .091	(1.9) .075	(1.3-3.1) ∅ .051-.122	# 18-24	-0116	PBS2	CHAIN
	(0.9) .035	(4.5) .177	(3.6) .142	(0.5) .020	(2.3) .091	(1.9) .075	(1.3-3.1) ∅ .051-.122	# 18-24	-0115	PBSL	LOOSE
	(0.9) .035	(4.5) .177	(3.6) .142	(0.5) .020	(2.3) .091	(1.9) .075	(1.3-3.1) ∅ .051-.122	# 18-24	-0114	PBS	CHAIN
TIN OVER NICKEL PLATED BRASS	(0.9) .035	(4.5) .177	(3.6) .142	(0.6) .024	(2.7) .106	(2.3) .091	∅ (3.1) .122 MAX.	# 16	-0080	PBT3L	LOOSE
	(0.6) .024	(2.3) .091	(2.3) .091	(0.4) .016	(1.65) .065	(1.8) .071	(0.9-1.8) ∅ .035-.071	#22-28	-0079	PBT3	CHAIN
	(0.6) .024	(2.3) .091	(2.3) .091	(0.4) .016	(1.65) .065	(1.8) .071	(0.9-1.8) ∅ .035-.071	#22-28	-0066	PBT2L	LOOSE
TIN OVER COPPER PLATED BRASS	(0.9) .035	(4.5) .177	(3.6) .142	(0.5) .020	(2.3) .091	(1.9) .075	(1.3-3.1) ∅ .051-.122	# 18-24	-0065	PBT2	CHAIN
	(0.9) .035	(4.5) .177	(3.6) .142	(0.5) .020	(2.3) .091	(1.9) .075	(1.3-3.1) ∅ .051-.122	# 18-24	-0060	PBTL	LOOSE
	(0.9) .035	(4.5) .177	(3.6) .142	(0.5) .020	(2.3) .091	(1.9) .075	(1.3-3.1) ∅ .051-.122	# 18-24	-0059	PBT	CHAIN
MATERIAL	(0.9) .035	(4.5) .177	(3.6) .142	(0.6) .024	(2.7) .106	(2.3) .091	∅ (3.1) .122 MAX.	# 16	-0113	S3L	LOOSE
	(0.6) .024	(2.3) .091	(2.3) .091	(0.4) .016	(1.65) .065	(1.8) .071	(0.9-1.8) ∅ .035-.071	#22-28	-0112	S3	CHAIN
	(0.6) .024	(2.3) .091	(2.3) .091	(0.4) .016	(1.65) .065	(1.8) .071	(0.9-1.8) ∅ .035-.071	#22-28	-0111	S2L	LOOSE
MATERIAL	(0.9) .035	(4.5) .177	(3.6) .142	(0.5) .020	(2.3) .091	(1.9) .075	(1.3-3.1) ∅ .051-.122	# 18-24	-0110	S2	CHAIN
	(0.9) .035	(4.5) .177	(3.6) .142	(0.5) .020	(2.3) .091	(1.9) .075	(1.3-3.1) ∅ .051-.122	# 18-24	-0109	SL	LOOSE
	(0.9) .035	(4.5) .177	(3.6) .142	(0.5) .020	(2.3) .091	(1.9) .075	(1.3-3.1) ∅ .051-.122	# 18-24	-0108	S	CHAIN
MATERIAL	(0.9) .035	(4.5) .177	(3.6) .142	(0.6) .024	(2.7) .106	(2.3) .091	∅ (3.1) .122 MAX.	# 16	-0078	T3L	LOOSE
	(0.6) .024	(2.3) .091	(2.3) .091	(0.4) .016	(1.65) .065	(1.8) .071	(0.9-1.8) ∅ .035-.071	#22-28	-0077	T3	CHAIN
	(0.6) .024	(2.3) .091	(2.3) .091	(0.4) .016	(1.65) .065	(1.8) .071	(0.9-1.8) ∅ .035-.071	#22-28	-0047	T2L	LOOSE
MATERIAL	(0.9) .035	(4.5) .177	(3.6) .142	(0.5) .020	(2.3) .091	(1.9) .075	(1.3-3.1) ∅ .051-.122	# 18-24	-0046	T2	CHAIN
	(0.9) .035	(4.5) .177	(3.6) .142	(0.5) .020	(2.3) .091	(1.9) .075	(1.3-3.1) ∅ .051-.122	# 18-24	-0039	TL	LOOSE
	(0.9) .035	(4.5) .177	(3.6) .142	(0.5) .020	(2.3) .091	(1.9) .075	(1.3-3.1) ∅ .051-.122	# 18-24	39-00-0038	5556 T	CHAIN
MATERIAL	F	E	D	C	B	A	INS. RANGE	WIRE RANGE	EDP NO.	ENG. NO.	FORM

SEE SHEET 1 EC NO. UEP2011-2362 DRWG: JAGUTLAR 2011/02/09 CHKD: JEBELL 2011/02/09 APPR: FSMITH 2011/02/21 REV:	QUALITY SYMBOLS	GENERAL TOLERANCES (UNLESS SPECIFIED)	DIMENSION STYLE	SCALE	DESIGN UNITS	THIRD ANGLE PROJECTION
	▽=0	4 PLACES ± .008	MM/IN		METRIC	
	▽=0	3 PLACES ± .008	DRAWN BY DATE			
	▽=0	2 PLACES ± 0.2	HIRAMOTO 1991/05/18	TITLE		
	1 PLACE ± 0.2	CHECKED BY DATE	MINI FIT JR OVERALL TIN FEMALE CRIMP TERMINAL			
	ANGULAR ± 3°	APPROVED BY DATE	MOLEX INCORPORATED			
		FSMITH 2011/02/21	SD-5556****			
			SHEET NO. 2 OF 2			
			THIS DRAWING CONTAINS INFORMATION THAT IS PROPRIETARY TO MOLEX INCORPORATED AND SHOULD NOT BE USED WITHOUT WRITTEN PERMISSION			

12 11 10 9 8 7 6 5 4 3 2 1