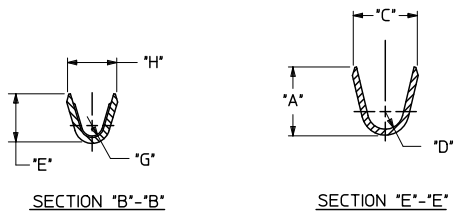
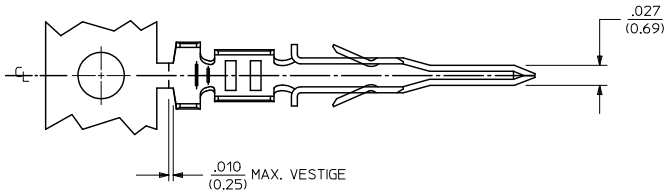


13 12 11 10 9 8 7 6 5 4 3 2 1



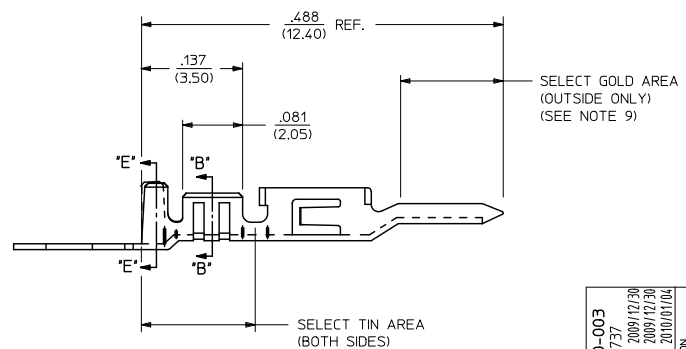
AWG:	MAX. INSULATION
20-24	.073/(1.85)
26-30	.050/(1.27)

ITEM NUMBER	PLATING OPTION	WIRE SIZE	ASSEMBLY OPTION	"A" ±.016 (±0.41)	"C" ±.012 (±0.30)	"D" ±.005 (±0.13)	"E" ±.016 (±0.41)	"G" ±.005 (±0.13)	"H" ±.012 (±0.30)
43031-0001	A	20-24	CHAIN	.090/(2.29)	.100/(2.54)	.030/(0.76) R.	.075/(1.91)	.025/(0.64) R.	.082/(2.08)
43031-0002	B	20-24	CHAIN	.090/(2.29)	.100/(2.54)	.030/(0.76) R.	.075/(1.91)	.025/(0.64) R.	.082/(2.08)
43031-0003	C	20-24	CHAIN	.090/(2.29)	.100/(2.54)	.030/(0.76) R.	.075/(1.91)	.025/(0.64) R.	.082/(2.08)
43031-0004	A	26-30	CHAIN	.075/(1.91)	.083/(2.10)	.025/(0.64) R.	.058/(1.47)	.020/(0.51) R.	.065/(1.65)
43031-0005	B	26-30	CHAIN	.075/(1.91)	.083/(2.10)	.025/(0.64) R.	.058/(1.47)	.020/(0.51) R.	.065/(1.65)
43031-0006	C	26-30	CHAIN	.075/(1.91)	.083/(2.10)	.025/(0.64) R.	.058/(1.47)	.020/(0.51) R.	.065/(1.65)
43031-0007	A	20-24	LOOSE	.090/(2.29)	.100/(2.54)	.030/(0.76) R.	.075/(1.91)	.025/(0.64) R.	.082/(2.08)
43031-0008	B	20-24	LOOSE	.090/(2.29)	.100/(2.54)	.030/(0.76) R.	.075/(1.91)	.025/(0.64) R.	.082/(2.08)
43031-0009	C	20-24	LOOSE	.090/(2.29)	.100/(2.54)	.030/(0.76) R.	.075/(1.91)	.025/(0.64) R.	.082/(2.08)
43031-0010	A	26-30	LOOSE	.075/(1.91)	.083/(2.10)	.025/(0.64) R.	.058/(1.47)	.020/(0.51) R.	.065/(1.65)
43031-0011	B	26-30	LOOSE	.075/(1.91)	.083/(2.10)	.025/(0.64) R.	.058/(1.47)	.020/(0.51) R.	.065/(1.65)
43031-0012	C	26-30	LOOSE	.075/(1.91)	.083/(2.10)	.025/(0.64) R.	.058/(1.47)	.020/(0.51) R.	.065/(1.65)



**NOTES:**

- 1) MATERIAL : PHOSPHOR BRONZE ALLOY
- 2) TERMINAL PLATING:  
 \*A\* = HOT TIN DIP: .000040/(0.00102) MIN.  
 \*B\* = .000015/(0.00038) MIN. SELECT GOLD  
 .000100/(0.002543) MIN. SELECT TIN  
 OVER .000050/(0.00127) MIN. NICKEL  
 \*C\* = .000030/(0.00076) MIN. SELECT GOLD  
 .000100/(0.002543) MIN. SELECT TIN  
 OVER .000050/(0.00127) MIN. NICKEL  
 \* MATERIAL NUMBERS WITH SELECT PLATING ARE POST-PLATED AFTER FORMING.
- 3) PRODUCT SPECIFICATION : PS-43045, PS-43650, PS-44300-001
- 4) PACKAGING SPECIFICATION: PK-43031-001 (REEL), PK-43030-003 (LOOSE).
- 5) TERMINAL FOR USE IN MICRO FIT PLUG 43020-\*\*\*\*, 43640-\*\*\*\*, AND 44300-\*\*\*\*.
- 6) FOR TERMINAL ORIENTATION IN PLUG SEE DRAWING SDA-43020-\*\*\*\* OR SD-43640-\*\*\*\*.
- 7) THIS TERMINAL IS DESIGNED IN METRIC.
- 8) THE PRIMARY SHIPPING CARTON WILL BE LABELED "COMPLIANT TO RoHS DIRECTIVE 2002/95/EC AND ELV ANNEX II OF DIRECTIVE 2000/53/EC." CARTONS WITHOUT THIS LABEL MAY CONTAIN PRODUCT WITH TIN/LEAD IN THE PC TAIL AREA.
- 9) SOME GOLD MAY BE PRESENT ON INSIDE SURFACE.



ADD PK-43030-003 EC NO. UCP200-0737 DRAWN:SSUSEK 2009/12/30 CHKD:SSUSEK 2009/12/30 APPR:ESMITH 2010/01/04 REV	QUALITY SYMBOLS	GENERAL TOLERANCES (UNLESS SPECIFIED)	DIMENSION STYLE	SCALE	DESIGN UNITS	THIRD ANGLE PROJECTION																																			
	$\nabla=0$ $\nabla=0$	<table border="1"> <thead> <tr> <th></th> <th>mm</th> <th>INCH</th> </tr> </thead> <tbody> <tr> <td>4 PLACES</td> <td>±.005</td> <td>±.0005</td> </tr> <tr> <td>3 PLACES</td> <td>±.008</td> <td>±.0010</td> </tr> <tr> <td>2 PLACES</td> <td>±.012</td> <td>±.0015</td> </tr> <tr> <td>1 PLACE</td> <td>±.020</td> <td>±.0025</td> </tr> <tr> <td colspan="3">ANGULAR ±1/2°</td> </tr> </tbody> </table>		mm	INCH	4 PLACES	±.005	±.0005	3 PLACES	±.008	±.0010	2 PLACES	±.012	±.0015	1 PLACE	±.020	±.0025	ANGULAR ±1/2°			<table border="1"> <thead> <tr> <th>DRAWN BY</th> <th>DATE</th> <th>TITLE</th> </tr> </thead> <tbody> <tr> <td>MUELLER</td> <td>2002/08/13</td> <td rowspan="2">MICRO-FIT (3.0) MALE TERMINAL</td> </tr> <tr> <td>CHECKED BY</td> <td>DATE</td> </tr> <tr> <td>MUELLER</td> <td>2002/08/13</td> <td></td> </tr> <tr> <td>APPROVED BY</td> <td>DATE</td> <td></td> </tr> <tr> <td>MARGULIS</td> <td>2002/08/13</td> <td></td> </tr> </tbody> </table>	DRAWN BY	DATE	TITLE	MUELLER	2002/08/13	MICRO-FIT (3.0) MALE TERMINAL	CHECKED BY	DATE	MUELLER	2002/08/13		APPROVED BY	DATE		MARGULIS	2002/08/13		---	METRIC	
		mm	INCH																																						
	4 PLACES	±.005	±.0005																																						
3 PLACES	±.008	±.0010																																							
2 PLACES	±.012	±.0015																																							
1 PLACE	±.020	±.0025																																							
ANGULAR ±1/2°																																									
DRAWN BY	DATE	TITLE																																							
MUELLER	2002/08/13	MICRO-FIT (3.0) MALE TERMINAL																																							
CHECKED BY	DATE																																								
MUELLER	2002/08/13																																								
APPROVED BY	DATE																																								
MARGULIS	2002/08/13																																								
	DRAFT WHERE APPLICABLE MUST REMAIN WITHIN DIMENSIONS	SEE CHART	MATERIAL NO.	DOCUMENT NO.	MOLEX INCORPORATED																																				
			SD-43031-****		SHEET NO. 1 OF 1																																				

12 11 10 9 8 7 6 5 4 3 2 1