

10 9 8 7 6 5 4 3 2 1 71851

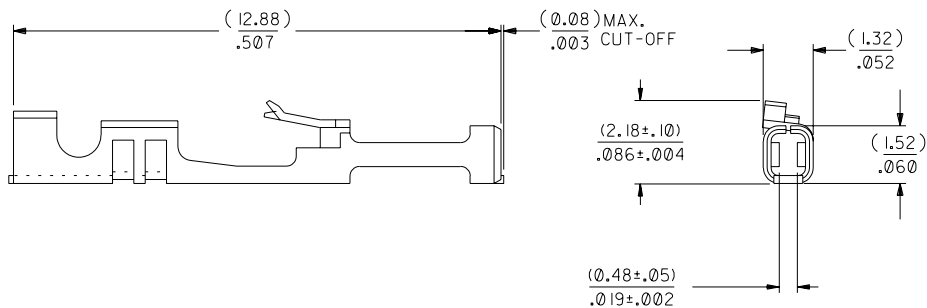
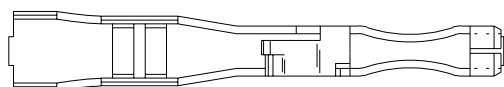
NOTES:

1. TERMINAL TO BE USED IN HOUSINGS 70066-**** AND 70450-****
2. REFER TO PRODUCT SPECIFICATION PS-71851
3. REFER TO MOLEX OPERATIONS AND SERVICE MANUAL FOR CRIMP DETAILS
4. TERMINAL TO BE USED WITH (0.64)/.025 SQUARE PINS
5. TERMINAL TO BE USED WITH 22-24 AWG STRANDED WIRE WITH (1.63)/.064 MAX. DIA. INSULATION
6. TERMINALS SUPPLIED LOOSE PER DRAWING PK-70873-0822

PLATING:

.000030 MINIMUM GOLD PLATE IN SELECT AREA WITH .000075 MINIMUM TIN PLATE IN SELECT AREA OVER NICKEL PLATE OVERALL

*THE PRIMARY SHIPPING CARTON WILL BE LABELED "COMPLIANT TO ROHS DIRECTIVE 2002/95/EC AND ELV ANNEX II OF DIRECTIVE 2000/53/EC". CARTONS WITHOUT THIS LABEL MAY CONTAIN PRODUCT WITH LEAD.



		C1	REVISED PER ECR #U70928 MCGRATH 97/06/26
D	LEAD FREE UCP2004-1769 RWHITE 04/04/06	C	REVISE PER ECR# U82219 11-07-88 MJM/MGB
C2	REVISED ECR #UB0270 MCGRATH 97/07/31	B	REVISE PER ECR #U80064 3/25/88 MJM
LTR.	REVISIONS	LTR.	REVISIONS

DIMENSIONS SHOWN (METRIC) INCH	
UNLESS OTHERWISE SPECIFIED TOLERANCES: ANGULAR ± 1/2°	
3 PLACE ± .010	---
2 PLACE ± .014	± 0.25
1 PLACE ---	± 0.35
DRAFT WHERE APPLICABLE MUST REMAIN WITHIN DIMENSIONS	
DRWG. BY MJM	CHK'D. BY MJM
APP'D. BY WAZ	SCALE 10:1

▽ = 0	▼ = 0	REVISE ONLY ON CAD SYSTEM
TITLE TERMINAL-BOX/CRIMP HIGH FORCE CONTACT		
MOLEX INCORPORATED LISLE, ILL. 60532 U.S.A.	SHEET NO. 1	DATE 03/25/88
PART NO. 016-02-1115	DRWG. NO. SD-71851-0226	
FILE NAME 571851X8	THIS DRAWING CONTAINS INFORMATION THAT IS PROPRIETARY TO MOLEX INC. AND SHOULD NOT BE USED WITHOUT WRITTEN PERMISSION.	
	DIV. DA	SIZE B

10 9 8 7 6 5 4 3 2 1