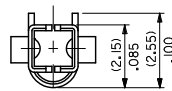
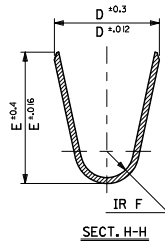
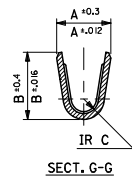
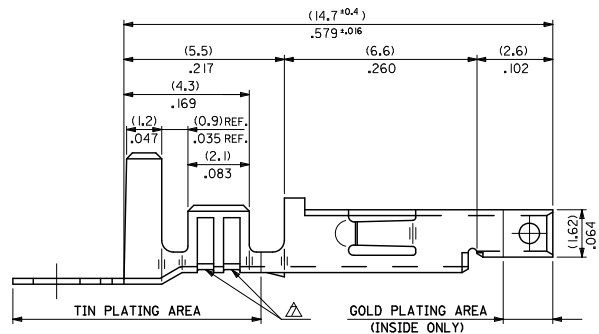
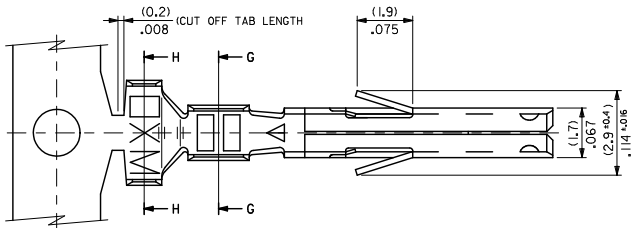


13 12 11 10 9 8 7 6 5 4 3 2 1

NOTES

1. MATERIAL: SEE CHART.
2. FINISH: SEE CHART.
3. PRODUCT SPECIFICATION: PS-5556-001, PS-5556-002, PS-5556-003.
4. PACKAGING SPECIFICATION: PK-5556-001 FOR CHAIN TERMINALS
PK-5556-003 FOR LOOSE TERMINALS.
5. MATES WITH: 5558, 5566, 5569, 30069, 30070, 42440, 42404, 43879, 43810, 44068.
6. APPLICABLE HOUSING: 5557, 30067, 44516, OR 42474.
7. THE NUMBER OF SERRATIONS TO BE ONE FOR WIRE RANGE #22-28.
8. WHEN TERMINALS ARE INSTALLED IN THE HOUSING THE WIRES ARE TO BE DRESSED IN SUCH A MANNER TO ALLOW THE TERMINALS TO FLOAT FREELY IN THE POCKET.
9. THIS TERMINAL IS DESIGNED FOR SINGLE WIRE CRIMPING.
10. PART CONFORMS TO CLASS 'B' REQUIREMENTS OF COSMETIC SPECIFICATION PS-45499-002.



REMOVE 440 & 441. EC NO. UEP2010-2205 DRAWN: JAGUILAR 2010/03/04 CHKD: BELL 2010/03/04 APPR: SMITH 2010/04/09	QUALITY SYMBOLS ∇=0 ∇=0 ∇=0	GENERAL TOLERANCES (UNLESS SPECIFIED)		DIMENSION STYLE		SCALE	DESIGN UNITS	THIRD ANGLE PROJECTION		
				MM/IN		10:1	METRIC			
		4 PLACES ± .008		DRAWN BY HIRAMOT DATE '91/05/18		TITLE		MINI FIT JR SELECT GOLD FEMALE CRIMP TERMINAL -LEAD FREE-		
		3 PLACES ± .008		CHECKED BY MFUKUSHI DATE '98/11/09		MATERIAL NO.		DOCUMENT NO.		SHEET NO.
2 PLACES ± 0.2		APPROVED BY FSMTTH DATE 2010/04/09		SEE CHART		SD-5556-006		1 OF 2		
1 PLACE ± 0.2		ANGULAR ± 3°		DRAFT WHERE APPLICABLE MUST REMAIN WITHIN DIMENSIONS		THIS DRAWING CONTAINS INFORMATION THAT IS PROPRIETARY TO MOLEX INCORPORATED AND SHOULD NOT BE USED WITHOUT WRITTEN PERMISSION				

tb_frame_C.P.ME.T Rev. F 2009/06/18 12 11 10 9 8 7 6 5 4 3 2 1

10 9 8 7 6 5 4 3 2 1

MATERIAL	FINISH	F	E	D	C	B	A	INS. RANGE	WIRE RANGE	EDP NO.	ENG. NO.	FORM	
PHOSPHOR BRONZE	SELECTIVE GOLD (0.76µm)/30m.i. MIN. AND SELECTIVE TIN (2.54µm)/100m.i. MIN. OVER NICKEL (1.27µm)/50m.i. MIN.	(0.9) .035	(4.5) .177	(3.6) .142	(0.6) .024	(2.7) .106	(2.3) .091	∅ (3.1) .122 MAX.	#16	39-00-0158 ▲ -0157	5556 PBGS3L ▲ PBGS3	LOOSE CHAIN	
		(0.6) .024	(2.3) .091	(2.3) .091	(0.4) .016	(1.65) .065	(1.8) .071	∅ (0.9-1.8) .035-.071	#22-28	-0156 -0155	PBGS2L PBGS2	LOOSE CHAIN	
		(0.9) .035	(4.5) .177	(3.6) .142	(0.5) .020	(2.3) .091	(1.9) .075	∅ (1.3-3.1) .051-.122	#18-24	-0154 -0153	PBGS PBGS	LOOSE CHAIN	
		(0.9) .035	(4.5) .177	(3.6) .142	(0.6) .024	(2.7) .106	(2.3) .091	∅ (3.1) .122 MAX.	#16	-0142 -0141	GS9L GS9	LOOSE CHAIN	
		(0.6) .024	(2.3) .091	(2.3) .091	(0.4) .016	(1.65) .065	(1.8) .071	∅ (0.9-1.8) .035-.071	#22-28	▼ -0140 39-00-0139	GS8L GS8	LOOSE CHAIN	
		(0.9) .035	(4.5) .177	(3.6) .142	(0.5) .020	(2.3) .091	(1.9) .075	∅ (1.3-3.1) .051-.122	#18-24	40-13-0852 40-13-0851	GS7L GS7	LOOSE CHAIN	
	BRASS	SELECTIVE GOLD (1.27µm)/50m.i. MIN. AND SELECTIVE TIN (2.54 µm)/100 m.i. MIN. OVER NICKEL (1.27µm)/50m.i. MIN. ©	(0.9) .035	(4.5) .177	(3.6) .142	(0.6) .024	(2.7) .106	(2.3) .091	∅ (3.1) .122 MAX.	#16	39-00-0094 ▲ -0093	GS6L GS6	LOOSE CHAIN
			(0.6) .024	(2.3) .091	(2.3) .091	(0.4) .016	(1.65) .065	(1.8) .071	∅ (0.9-1.8) .035-.071	#22-28	-0092 -0091	GS5L GS5	LOOSE CHAIN
			(0.9) .035	(4.5) .177	(3.6) .142	(0.5) .020	(2.3) .091	(1.9) .075	∅ (1.3-3.1) .051-.122	#18-24	-0074 -0073	GS4L GS4	LOOSE CHAIN
			(0.9) .035	(4.5) .177	(3.6) .142	(0.6) .024	(2.7) .106	(2.3) .091	∅ (3.1) .122 MAX.	#16	-0090 -0089	GS3L GS3	LOOSE CHAIN
			(0.6) .024	(2.3) .091	(2.3) .091	(0.4) .016	(1.65) .065	(1.8) .071	∅ (0.9-1.8) .035-.071	#22-28	-0435 -0434	GS2L7F GS27F	LOOSE CHAIN
			(0.9) .035	(4.5) .177	(3.6) .142	(0.5) .020	(2.3) .091	(1.9) .075	∅ (1.3-3.1) .051-.122	#18-24	▼ -0429 39-00-0428	▼ GSL7F 5556 GS7F	LOOSE CHAIN

SEE SHEET 1 EC NO: UCP2010-2205 DRWN: JAGUILAR CHKD: BELL APPR: FSMITH 2010/03/01 2010/03/01 2010/04/09	QUALITY SYMBOLS	GENERAL TOLERANCES (UNLESS SPECIFIED)	DIMENSION STYLE	SCALE	DESIGN UNITS	THIRD ANGLE PROJECTION
	∇=0	mm INCH	MM/IN	10:1	METRIC	
	∇=0	4 PLACES ± --- ± ---	DRAWN BY	DATE	TITLE	
	∇=0	3 PLACES ± --- ± .008	HHIRAMOT	'91/05/18	MINI FIT JR SELECT GOLD FEMALE CRIMP TERMINAL -LEAD FREE-	
	2 PLACES ± 0.2 ± .008	1 PLACE ± 0.2 ± ---	CHECKED BY	DATE	MOLEX INCORPORATED	
	ANGULAR ± 3 °		MFUKUSHI	'98/11/09	SD-5556-006	
			APPROVED BY	DATE	SHEET NO.	
			FSMITH	2010/04/09	2 OF 2	
			MATERIAL NO.	DOCUMENT NO.	THIS DRAWING CONTAINS INFORMATION THAT IS PROPRIETARY TO MOLEX INCORPORATED AND SHOULD NOT BE USED WITHOUT WRITTEN PERMISSION	
			SEE CHART			

9 8 7 6 5 4 3 2 1