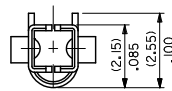
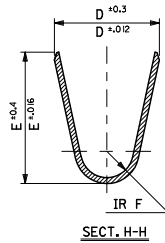
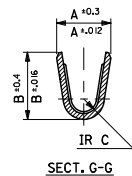
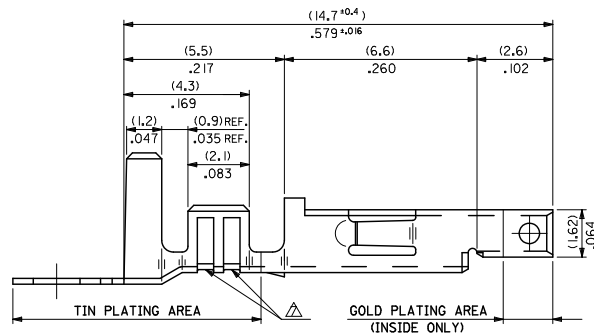
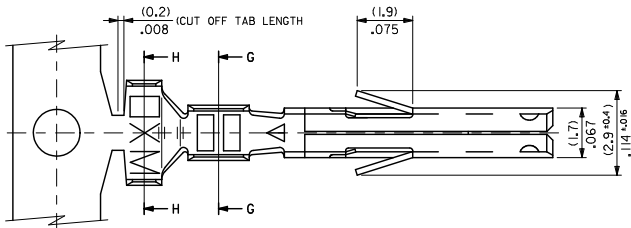


13 12 11 10 9 8 7 6 5 4 3 2 1

NOTES

1. MATERIAL: SEE CHART.
2. FINISH: SEE CHART.
3. PRODUCT SPECIFICATION: PS-5556-001, PS-5556-002, PS-5556-003.
4. PACKAGING SPECIFICATION: PK-5556-001 FOR CHAIN TERMINALS
PK-5556-003 FOR LOOSE TERMINALS.
5. MATES WITH: 5558, 5566, 5569, 30069, 30070, 42440, 42404, 43879, 43810, 44068.
6. APPLICABLE HOUSING: 5557, 30067, 44516, OR 42474.
7. THE NUMBER OF SERRATIONS TO BE ONE FOR WIRE RANGE #22-28.
8. WHEN TERMINALS ARE INSTALLED IN THE HOUSING THE WIRES ARE TO BE DRESSED IN SUCH A MANNER TO ALLOW THE TERMINALS TO FLOAT FREELY IN THE POCKET.
9. THIS TERMINAL IS DESIGNED FOR SINGLE WIRE CRIMPING.
10. PART CONFORMS TO CLASS 'B' REQUIREMENTS OF COSMETIC SPECIFICATION PS-45499-002.



REMOVE 440 & 441. EC NO. UEP2010-2205 DRAWN: JAGUILAR 2010/03/04 CHKD: BELL 2010/03/04 APPR: SMITH 2010/04/09	QUALITY SYMBOLS ∇=0 ∇=0 ∇=0	GENERAL TOLERANCES (UNLESS SPECIFIED)		DIMENSION STYLE		SCALE	DESIGN UNITS	THIRD ANGLE PROJECTION	
				MM/IN		10:1	METRIC		
		4 PLACES ± .008		DRAWN BY HIRAMOT DATE '91/05/18		TITLE			
		3 PLACES ± .008		CHECKED BY MFUKUSHI DATE '98/11/09		MINI FIT JR SELECT GOLD FEMALE CRIMP TERMINAL -LEAD FREE-			
2 PLACES ± 0.2		APPROVED BY FSMTTH DATE 2010/04/09		MATERIAL NO.		DOCUMENT NO.	SHEET NO.		
1 PLACE ± 0.2		ANGULAR ± 3°		SEE CHART		SD-5556-006		1 OF 2	
DRAFT WHERE APPLICABLE MUST REMAIN WITHIN DIMENSIONS		THIS DRAWING CONTAINS INFORMATION THAT IS PROPRIETARY TO MOLEX INCORPORATED AND SHOULD NOT BE USED WITHOUT WRITTEN PERMISSION							

ib_frame_C.P.ME.T Rev. F 2009/06/18 12 11 10 9 8 7 6 5 4 3 2 1

10 9 8 7 6 5 4 3 2 1

MATERIAL	FINISH	F	E	D	C	B	A	INS. RANGE	WIRE RANGE	EDP NO.	ENG. NO.	FORM	
PHOSPHOR BRONZE	SELECTIVE GOLD (0.76µm)/30m.i. MIN. AND SELECTIVE TIN (2.54µm)/100m.i. MIN. OVER NICKEL (1.27µm)/50m.i. MIN.	(0.9)	(4.5)	(3.6)	(0.6)	(2.7)	(2.3)	∅ (3.1) MAX. .122	#16	39-00-0158	5556 PBGS3L	LOOSE CHAIN	
		.035	.177	.142	.024	.106	.091			▲ -0157	▲ PBGS3	CHAIN	
		(0.6)	(2.3)	(2.3)	(0.4)	(1.65)	(1.8)	∅ (0.9-1.8)	#22-28	-0156	PBGS2L	LOOSE CHAIN	
		.024	.091	.091	.016	.065	.071	∅ .035-.071		-0155	PBGS2	CHAIN	
		(0.9)	(4.5)	(3.6)	(0.5)	(2.3)	(1.9)	∅ (1.3-3.1)	#18-24	-0154	PBGS1	LOOSE CHAIN	
		.035	.177	.142	.020	.091	.075	∅ .051-.122		-0153	PBGS	CHAIN	
	BRASS	SELECTIVE GOLD (1.27µm)/50m.i. MIN. AND SELECTIVE TIN (2.54 µm)/ 100 m.i. MIN. OVER NICKEL (1.27µm)/50m.i. MIN. ©	(0.9)	(4.5)	(3.6)	(0.6)	(2.7)	(2.3)	∅ (3.1) MAX. .122	#16	39-00-0139	GS9L	LOOSE CHAIN
			.035	.177	.142	.024	.106	.091			▼ -0140	GS9	CHAIN
			(0.6)	(2.3)	(2.3)	(0.4)	(1.65)	(1.8)	∅ (0.9-1.8)	#22-28	39-00-0139	GS8L	LOOSE CHAIN
			.024	.091	.091	.016	.065	.071	∅ .035-.071		40-13-0852	GS8	CHAIN
			(0.9)	(4.5)	(3.6)	(0.5)	(2.3)	(1.9)	∅ (1.3-3.1)	#18-24	40-13-0851	GS7L	LOOSE CHAIN
			.035	.177	.142	.020	.091	.075	∅ .051-.122		40-13-0851	GS7	CHAIN
SELECTIVE GOLD (0.38µm)/15m.i. MIN. AND SELECTIVE TIN(2.54µm)/100 m.i. MIN. OVER NICKEL (1.27µm)/50m.i. MIN. ©		(0.9)	(4.5)	(3.6)	(0.6)	(2.7)	(2.3)	∅ (3.1) MAX. .122	#16	39-00-0094	GS6L	LOOSE CHAIN	
		.035	.177	.142	.024	.106	.091			▲ -0093	GS6	CHAIN	
		(0.6)	(2.3)	(2.3)	(0.4)	(1.65)	(1.8)	∅ (0.9-1.8)	#22-28	-0092	GS5L	LOOSE CHAIN	
		.024	.091	.091	.016	.065	.071	∅ .035-.071		-0091	GS5	CHAIN	
		(0.9)	(4.5)	(3.6)	(0.5)	(2.3)	(1.9)	∅ (1.3-3.1)	#18-24	-0074	GS4L	LOOSE CHAIN	
		.035	.177	.142	.020	.091	.075	∅ .051-.122		-0073	GS4	CHAIN	
SELECTIVE GOLD (0.76µm)/30m.i. MIN. AND SELECTIVE TIN (2.54µm)/100m.i. MIN. OVER NICKEL (1.27µm)/50m.i. MIN.	(0.9)	(4.5)	(3.6)	(0.6)	(2.7)	(2.3)	∅ (3.1) MAX. .122	#16	39-00-0428	GS3L	LOOSE CHAIN		
	.035	.177	.142	.024	.106	.091			-0089	GS3	CHAIN		
	(0.6)	(2.3)	(2.3)	(0.4)	(1.65)	(1.8)	∅ (0.9-1.8)	#22-28	-0435	GS2L7F	LOOSE CHAIN		
	.024	.091	.091	.016	.065	.071	∅ .035-.071		-0434	GS27F	CHAIN		
	(0.9)	(4.5)	(3.6)	(0.5)	(2.3)	(1.9)	∅ (1.3-3.1)	#18-24	39-00-0428	5556 GS7F	LOOSE CHAIN		
	.035	.177	.142	.020	.091	.075	∅ .051-.122		▼ -0429	▼ GSL7F	LOOSE CHAIN		

SEE SHEET 1 EC NO: UCP2010-2205 DRWN: JAGUILAR 2010/03/01 CHKD: BELL 2010/03/01 APPR: FSMITH 2010/04/09 G1	QUALITY SYMBOLS	GENERAL TOLERANCES (UNLESS SPECIFIED)	DIMENSION STYLE	SCALE	DESIGN UNITS	THIRD ANGLE PROJECTION
	∇=0	(mm) INCH	MM/IN	10:1	METRIC	
	∇=0	4 PLACES ± --- ± ---	DRAWN BY	DATE	TITLE	
	∇=0	3 PLACES ± --- ± .008	HHIRAMOT	'91/05/18	MINI FIT JR SELECT GOLD FEMALE CRIMP TERMINAL -LEAD FREE-	
	2 PLACES ± 0.2 ± .008	1 PLACE ± 0.2 ± ---	CHECKED BY	DATE	MOLEX INCORPORATED	
	ANGULAR ± 3 °		MFUKUSHI	'98/11/09	SD-5556-006	
			APPROVED BY	DATE	SHEET NO.	
			FSMITH	2010/04/09	2 OF 2	
			MATERIAL NO.	DOCUMENT NO.	THIS DRAWING CONTAINS INFORMATION THAT IS PROPRIETARY TO MOLEX INCORPORATED AND SHOULD NOT BE USED WITHOUT WRITTEN PERMISSION	
			SEE CHART			

9 8 7 6 5 4 3 2 1