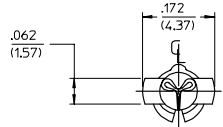


PART NO.	ENG. NO.
02-09-2133	1376-(P909)IL
02-09-2134	1376-A(P909)IL
02-09-6138	1376-(228)IL
02-09-6132	1376-(558)IL
02-09-6134	1376-A(558)IL
50-34-8509	1376-A(P154)IL



LEGEND

1376-x(xxxxx)*
 OPTIONAL DETENT
 BLANK=WITH DETENT
 A= WITHOUT DETENT

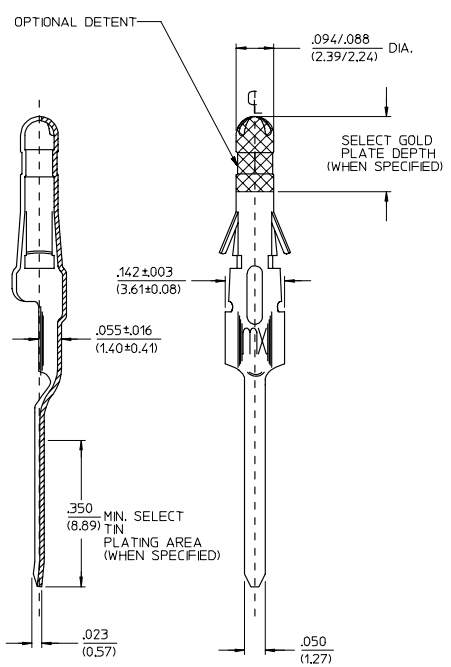
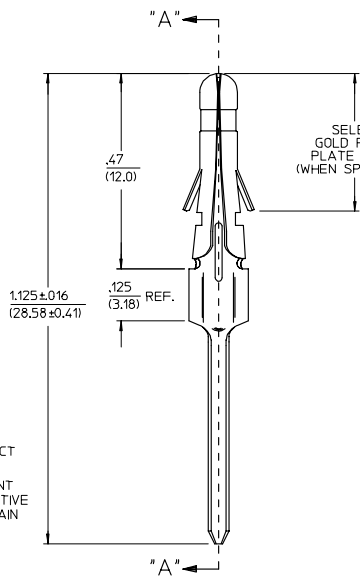
P=PREPLATE
 BLANK=POSTPLATE

FORM
 L=LOOSE

FINISH CODE

NOTES:

- MATERIAL: BRASS
- FINISHES:
 - 909 HOT TIN DIP .000100/(0.00254) MIN.
 - 154 OVERALL TIN .000100/(0.00254) MIN. OVER .000050/(0.00127) MIN. NICKEL OVERALL.
 - 558 SELECT GOLD PLATE .000030/(0.00076) MIN. IN CONTACT AREA OVER .000050/(0.00127) MIN. NICKLE OVERALL WITH .000010/(0.00025) MAX. GOLD FLASH.
 - 228 SELECT GOLD PLATE .000030/(0.00075) MIN. IN CONTACT AREA. SELECT TIN PLATE .000100/(0.00250) MIN. IN TAIL AREA OVER .000050/(0.00125) NICKLE OVERALL WITH SELECT GOLD FLASH .000010/(0.00025) MAX IN AREA INDICATED.
- THE PRIMARY SHIPPING CARTON WILL BE LABELED, "COMPLIANT TO RoHS DIRECTIVE 2002/95/EC AND ELV ANNEX II OF DIRECTIVE 2000/53/EC". AND CARTONS WITHOUT THIS LABEL MAY CONTAIN PRODUCT WITH TIN-LEAD.
- PRODUCT SPECIFICATION: PS-02-09
- PACKAGING INFORMATION: NOT AVAILABLE.
- TERMINALS FOR USE WITH 0.093/(2.36) SERIES HOUSINGS.
- RECOMMENDED P.C. BOARD HOLE SIZE IS .062±0.02/(1.57±0.05) DIA.
- INSERTION FORCE: 3.5 LBS. MAX. WHEN TERMINAL IS INSERTED INTO AN .093 SERIES HOUSING.



SECT. "A-A"

ADD: P/N 1376 -A(P154) EC NO. UCP2006-2524 DRWN: AELHAG 2006/05/15 CHKD: LSCHMIDT 2006/05/22 APPR: F SMITH 2006/07/14	QUALITY SYMBOLS	GENERAL TOLERANCES (UNLESS SPECIFIED)	SCALE: 6:1	DESIGN UNITS: INCH	TEMPERATURE: □	THIRD ANGLE PROJECTION	REVISE ON CAD ONLY
	▽ -0	4 PLACES ± .005 ± .005	DIMENSION STYLE: IN/MM	DRAWN BY: GC	DATE: 1991/02/18	TITLE: P.C. TAIL TERMINAL, MALE, .093/(2.36) DIA.	
	▽ -0	3 PLACES ± .010 ± .010	DRAWN BY: GC	DATE: 1991/02/18	MATERIAL NO. MOLEX INCORPORATED		DOCUMENT NO. SD-1376-*
	▽ -0	2 PLACES ± 0.25 ± .014	CHECKED BY: RW	DATE: 1991/02/18	APPROVED BY: GWF		SHEET NO. 1 OF 1
REV	ANGULAR ± .0	1 PLACE ± 0.36 ± .0	APPROVED BY: GWF		DATE: 1991/02/19	THIS DRAWING CONTAINS INFORMATION THAT IS PROPRIETARY TO MOLEX INCORPORATED AND SHOULD NOT BE USED WITHOUT WRITTEN PERMISSION	