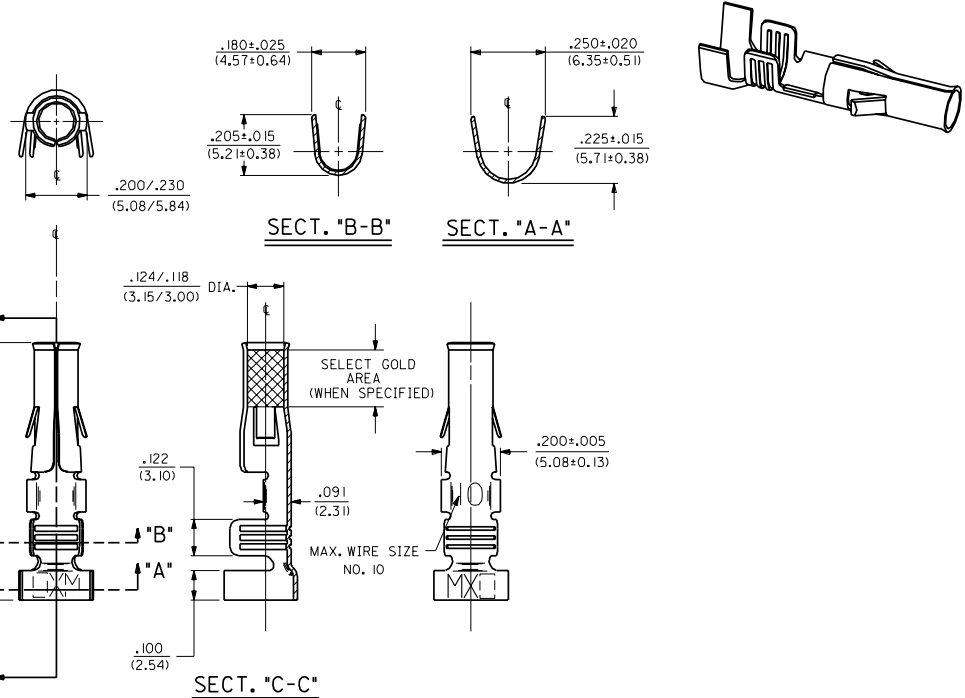
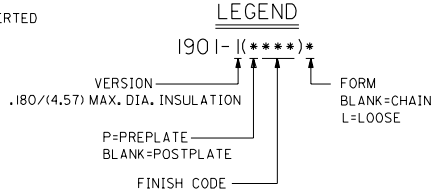


PART NO.	ENG. NO.	FLAT STOCK PART NO.
18-12-1602	1901-1(P901)L	80-02-1302
18-12-1601	1901-1(P901)	80-02-1302



- NOTES:
1. TERMINAL FOR USE WITH .125/(3.17) SERIES HOUSINGS AND WILL ACCEPT 10 THRU 14 AWG WIRE HAVING A .180/(4.57) MAX. DIAMETER INSULATION.
  2. INSERTION FORCE: 6.0 LBS. MAX. WHEN TERMINAL IS INSERTED INTO .125/(3.17) DIA. CORE HOLE.
  3. PULL OUT FORCE: 30 LBS. MIN. RETENTION IN HOUSING.

FINISH CODES:  
901 HOT TIN DIP .000020/(0.0005) MIN.



MATERIAL NOTES:  
1. CARTRIDGE BRASS, ALLOY \*C26000;  
.013/(0.33) THICK, SPRING TEMPER

MFG.	SH.	REV.	LTR.	REVISIONS
E3				ADDED ISO VIEW LICR 0588-0248 WANG 98-05-20
E2				OBS. - (P5551 & - (P555L) ECR 06 0312 C/C 9/1/95 RW
E1				X-REMOVE - (P555) ECR 02 0731 C/C 5/11/92 RW
E				ADD SELECT AREA ECR 04 0230 3-5-90 RW
D				REVISE PER ECR 09 1099 11-28-89 TRM
C				REV. & REDRAWN ECR 08 1602 CEP 6-13-88 RW

DIMENSIONS SHOWN: METRIC INCH		▽=0	▽=0	REVISE ONLY ON CAD SYSTEM												
UNLESS OTHERWISE SPECIFIED: TOLERANCES ANGULAR ± .50° TO 10°		TITLE														
<table border="1"> <thead> <tr> <th></th> <th>INCH</th> <th>METRIC</th> </tr> </thead> <tbody> <tr> <td>3 PLACE</td> <td>± .010</td> <td>---</td> </tr> <tr> <td>2 PLACE</td> <td>± .014</td> <td>+ .025</td> </tr> <tr> <td>1 PLACE</td> <td>---</td> <td>± 0.35</td> </tr> </tbody> </table>			INCH	METRIC	3 PLACE	± .010	---	2 PLACE	± .014	+ .025	1 PLACE	---	± 0.35	CRIMP TERMINAL, FEMALE, .125/(3.17) DIA 10-14 AWG .180/(4.57) DIA. INSUL.		
	INCH	METRIC														
3 PLACE	± .010	---														
2 PLACE	± .014	+ .025														
1 PLACE	---	± 0.35														
DRAFT WHERE APPLICABLE MUST REMAIN WITHIN DIMENSIONS		MOLEX INCORPORATED SHEET NO. DATE 1988/01/11 1 OF 1 6/30/88														
<table border="1"> <thead> <tr> <th>DRWG. NO.</th> <th>FILE NAME</th> <th>REV.</th> <th>SIZE</th> </tr> </thead> <tbody> <tr> <td>SD-1901-1</td> <td>S1901X1</td> <td>1</td> <td>CP C</td> </tr> </tbody> </table>		DRWG. NO.	FILE NAME	REV.	SIZE	SD-1901-1	S1901X1	1	CP C	SEE CHART SD-1901-1						
DRWG. NO.	FILE NAME	REV.	SIZE													
SD-1901-1	S1901X1	1	CP C													
<table border="1"> <thead> <tr> <th>DRWG. NO.</th> <th>SCALE</th> </tr> </thead> <tbody> <tr> <td>SD-1901-1</td> <td>4 : 1</td> </tr> </tbody> </table>		DRWG. NO.	SCALE	SD-1901-1	4 : 1	NO DRAWING CONTAINS INFORMATION THAT IS PROPRIETARY TO MOLEX INC. AND SHOULD NOT BE USED WITHOUT WRITTEN PERMISSION.										
DRWG. NO.	SCALE															
SD-1901-1	4 : 1															

NO. P.S.