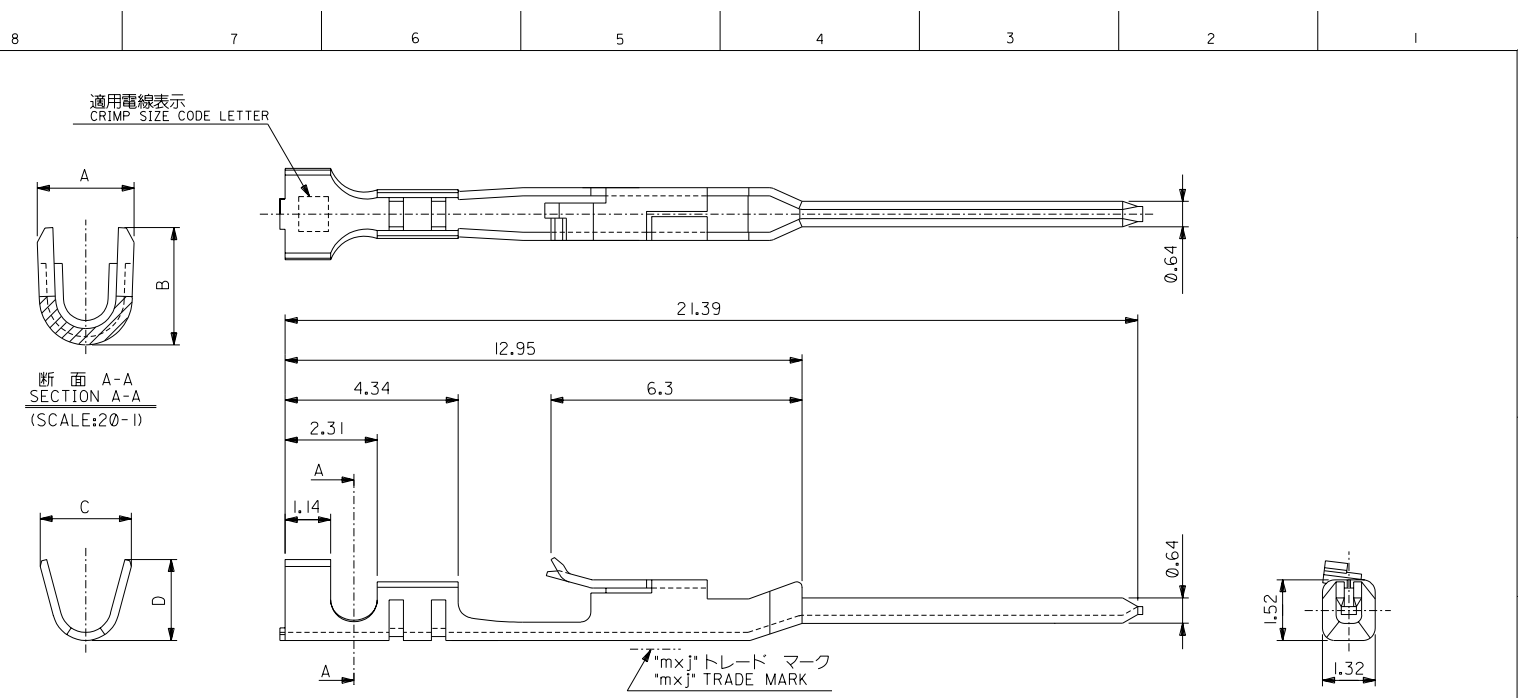


ENG. NO. 0-04
SD-70021-0-21

EDP NO.

MM DIMENSIONS IN METRIC DO NOT SCALE DRAWING

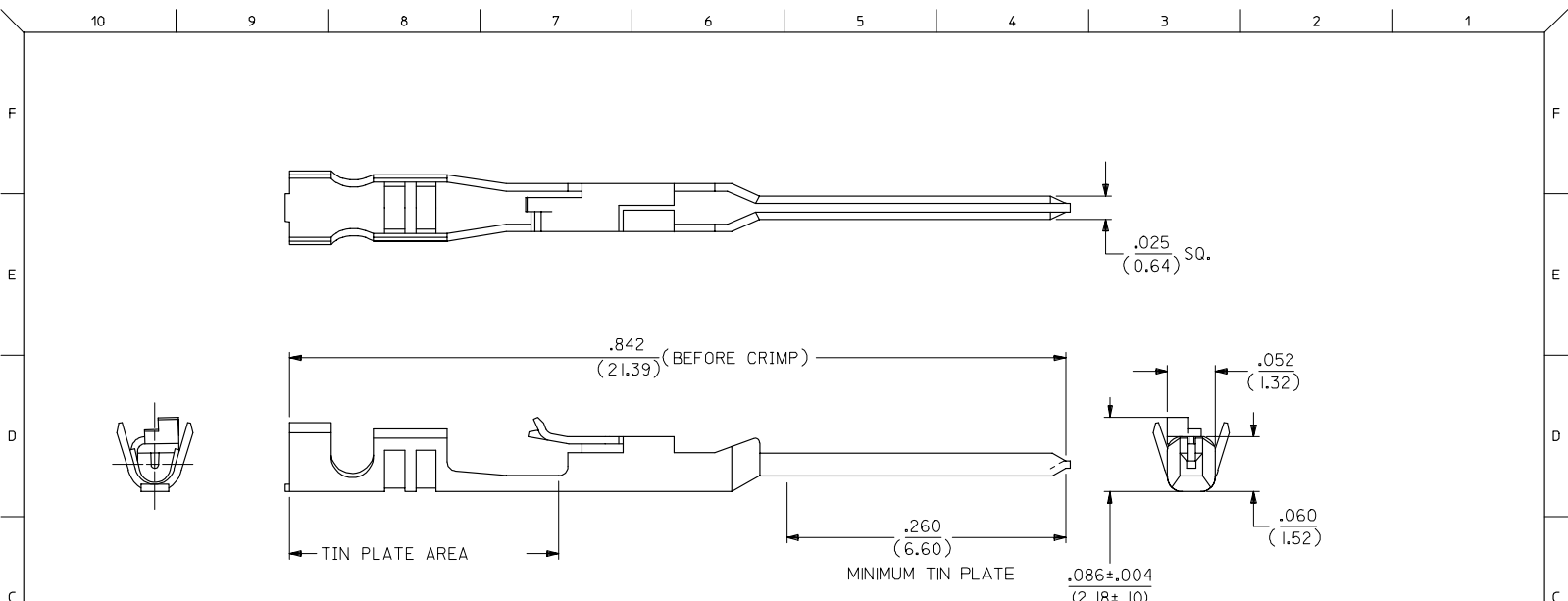


注記:
NOTES:

- 適合ハウジング: 70066-****, 70107-****
APPLICABLE HOUSING: 70066-****, 70107-****
- 仕上げ ニッケル下地、鍍メッキ
FINISH TIN OVER NICKEL PLATING

1.91	2.1	1.47	1.22	A	MAX. Ø 1.6	AWC#24-#30	バラ状 LOOSE	70021-0204
1.91	2.1	1.65	1.84	C		AWC#22-#24	バラ状 LOOSE	70021-0221
D	C	B	A	通用電線表示 CRIMP SIZE CODE LETTER	被覆外径 INS. RANGE	適用電線範囲 WIRE RANGE	端子形状 FORM	MATERIAL No.
				材料 MATERIAL	磷青銅 PHOSPHOR BRONZE	MOLEX	MOLEX-JAPAN CO.,LTD. 日本モレックス株式会社	
				仕上げ FINISH	注記参照 SEE NOTES	EDP NO.	—	
角度 ANGLE	+3°	B	変更 REVISED	1/2004-45/8	適用電線範囲 WIRE RANGE	表参照 SEE CHART	ENG. NO.	REV
30以上 OVER	+0.5	A	変更 REVISED	(T20)5/9	被覆外径 INS. RANGE	表参照 SEE CHART	SD-70021-	B
10以上 30未満 OVER UNDER	+0.25	0	新規作成 RELEASED	(T00)1/8	DRAWN BY	CHK'D BY	0-04	
10未満 UNDER	+0.2	記号 LTR	変更内容 REVISION RECORD	DR. 日付 CHK. DATE	APPROD BY	尺度 SCALE	0-21	
一般公差 GENERAL TOLERANCES			REVISION RECORD	REVISION RECORD	REVISION RECORD	REVISION RECORD	TITLE 名称 SL MALE CRIMP TERMINAL -LEAD FREE-	

THIS DRAWING CONTAINS INFORMATION THAT IS PROPRIETARY TO MOLEX/JAPAN AND SHOULD NOT BE USED WITHOUT WRITTEN PERMISSION
本図面は日本モレックス(株)の所有する情報を含むもので、当社の許可なく複製を禁止する。 MXJ-8



NOTES:

1. TERMINAL FOR USE WITH HOUSING PART NO. 70066-**** & 70107-****.
2. MATERIAL: .008/(0.20) THK. PHOSPHOR BRONZE.
3. TERMINAL TO BE USED WITH 22-24 AWG STRANDED WIRE WITH .064 DIA. MAX. INSULATION.
4. REFER TO MOLEX OPERATIONAL AND SERVICE MANUAL FOR DETAILS.
5. REFER TO PRODUCT SPECIFICATION NO. PSX700021.
6. PARTS SUPPLIED LOOSE PER DRAWING PK-70873-0822.

*THE PRIMARY SHIPPING CARTON WILL BE LABELED "COMPLIANT TO RoHS DIRECTIVE 2002/95/EC AND ELV ANNEX II OF DIRECTIVE 2000/53/EC". CARTONS WITHOUT THIS LABEL MAY CONTAIN PRODUCT WITH LEAD.

PLATING:

.000150 MIN. TIN PLATE OVER NICKEL PLATE.

MODIFY PLATE CALLOUT EC NO: LCP2006-2279 DRAWN BY: RARRA 2006/04/04 CHECKED BY: MORGAN 2006/04/04 APPROVED BY: MILLER 2006/04/04	QUALITY SYMBOLS	GENERAL TOLERANCES (UNLESS SPECIFIED)	DIMENSION STYLE	SCALE	DESIGN UNITS	THIRD ANGLE PROJECTION															
	$\nabla=0$ $\sphericalangle=0$	<table border="1"> <tr><th></th><th>mm</th><th>INCH</th></tr> <tr><td>4 PLACES</td><td>± .---</td><td>± .---</td></tr> <tr><td>3 PLACES</td><td>± .---</td><td>± .010</td></tr> <tr><td>2 PLACES</td><td>± 0.25</td><td>± .015</td></tr> <tr><td>1 PLACE</td><td>± 0.35</td><td>± .---</td></tr> </table>		mm	INCH	4 PLACES	± .---	± .---	3 PLACES	± .---	± .010	2 PLACES	± 0.25	± .015	1 PLACE	± 0.35	± .---	IN/MM	10:1	INCH	
		mm	INCH																		
	4 PLACES	± .---	± .---																		
3 PLACES	± .---	± .010																			
2 PLACES	± 0.25	± .015																			
1 PLACE	± 0.35	± .---																			
DRAFT WHERE APPLICABLE MUST REMAIN WITHIN DIMENSIONS	DRAWN BY: WJF DATE: 1986/10/30 CHECKED BY: MJM DATE: 1986/10/30 APPROVED BY: WAZ DATE: 1986/10/30	TITLE	TERMINAL, MALE CRIMP																		
REV	DESCRIPTION	MATERIAL NO.	DOCUMENT NO.	MOLEX INCORPORATED																	