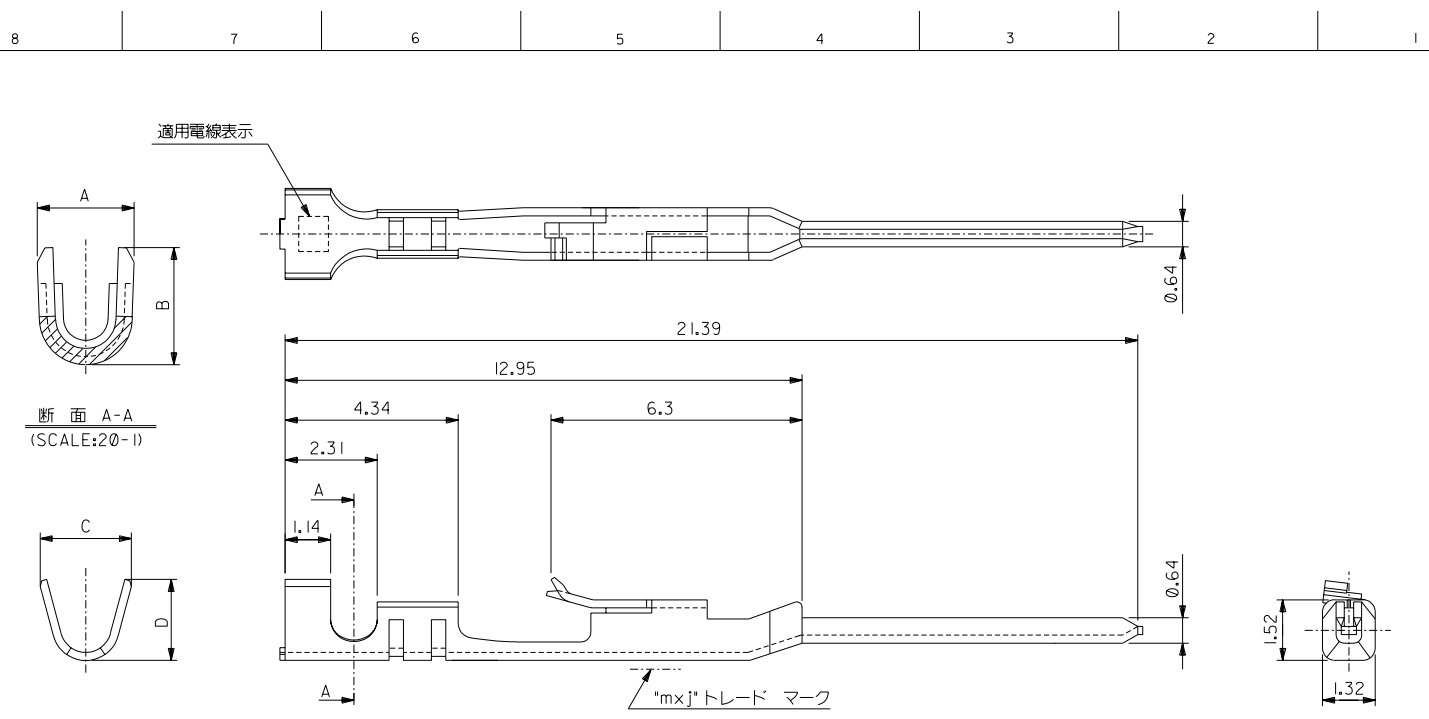


ENG. NO. 0-06  
SD-70021-0-23

EDP NO.

ALL DIMENSIONS IN METRIC DO NOT SCALE DRAWING

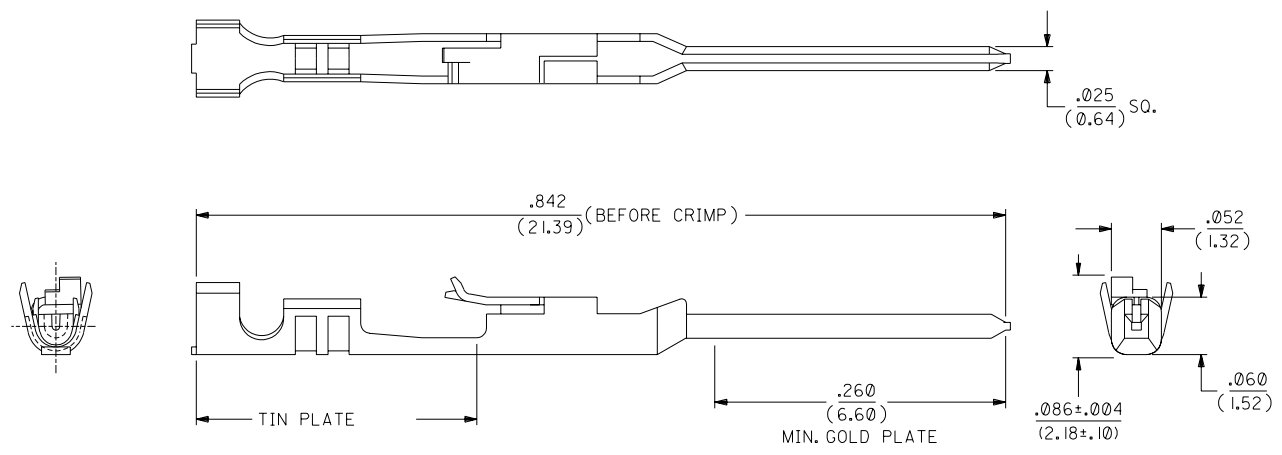


注記:

- 適合ハウジング: 70066-\*\*\*\*, 70107-\*\*\*\*
- メッキ仕様:
  - 接点部: 金メッキ, 0.38 μmMIN.
  - 圧着部: 錫メッキ, 1.91 μmMIN.
  - 下地メッキ: ニッケルメッキ, 1.27 μmMIN.

1.91	2.1	1.47	1.22	A	φ 1.6 MAX.	AWG#24-#30	連鎖状	70021-0006
1.91	2.1	1.65	1.84	C		AWG#22-#24	バラ状	70021-0223
D	C	B	A	適用電線表示	被覆外径	適用電線範囲	端子形状	MATERIAL No.
				材料	燃青銅			
				MATERIAL	t 0.203			
				仕上げ	注記参照			
				FINISH				
角度 ANGLE	±3°	B	変更 (J2004-4519)	適用電線範囲	表参照			
30以上 OVER	±0.5	A	変更 (J060398)	WIRE RANGE				
10以上 30未満 UNDER	±0.25	0	新規作成 (T00110)	被覆外径	表参照			
10未満 UNDER	±0.2	記号	変更内容	INS. RANGE				
一般公差 GENERAL TOLERANCES		REVISION RECORD	DR. CHK. DATE	DRAWN BY	CHK'D BY	尺度 SCALE	10-1	

THIS DRAWING CONTAINS INFORMATION THAT IS PROPRIETARY TO MOLEX/JAPAN AND SHOULD NOT BE USED WITHOUT WRITTEN PERMISSION  
本図面は日本モレックス(株)の所有する情報を含むもので、当社の許可なく複製を禁止する。 MXJ-8



**NOTES:**

1. TERMINAL FOR USE WITH HOUSING PART NO. 70066-\*\*\*\* & 70107-\*\*\*\*.
2. MATERIAL: .008/(0.20) THK. PHOSPHOR BRONZE.
3. TERMINAL TO BE USED WITH 24-30 AWG STRANDED WIRE WITH .060 DIA. MAX. INSULATION.
4. REFER TO MOLEX OPERATIONAL AND SERVICE MANUAL FOR DETAILS.
5. REFER TO PRODUCT SPECIFICATION NO. PS-70021.
6. PARTS SUPPLIED IN REEL FORM.

**PLATING:**

15 GOLD - .000015 MIN. GOLD PLATE IN SELECT AREA,  
 .000075 MIN. TIN PLATE IN SELECT AREA,  
 OVER .000050 MIN. NICKEL PLATE OVERALL.

\*THE PRIMARY SHIPPING CARTON WILL BE LABELED "COMPLIANT TO RoHS DIRECTIVE 2002/95/EC AND ELV ANNEX II OF DIRECTIVE 2000/53/EC". CARTONS WITHOUT THIS LABEL MAY CONTAIN PRODUCT WITH LEAD.

G	LEAD FREE UCP2004-1769 RWHITE 04/03/12
FI	REVISED ECR #U80270 MCGRATH 97/07/31
F	REVISED PLTG. SPEC. PER ECR # U31149 08/19/93 REED
E	REVISED PER ECR# U8220 11-07-88 MJM/MGB
D	REDRAWN ON CAD PER E.C.R. #9509 11/10/86 WJF/MJM

MFG.	SH.	REV.	LTR.	REVISIONS

DIMENSIONS SHOWN (METRIC) INCH UNLESS OTHERWISE SPECIFIED TOLERANCES: ANGULAR ± 1/2°		▽ = 0 ▼ = 0		REVISE ONLY ON CAD SYSTEM									
<table border="1"> <thead> <tr> <th>INCH</th> <th>METRIC</th> </tr> </thead> <tbody> <tr> <td>3 PLACE ± .010</td> <td>---</td> </tr> <tr> <td>2 PLACE ± .015</td> <td>± 0.25</td> </tr> <tr> <td>1 PLACE ---</td> <td>± 0.35</td> </tr> </tbody> </table>		INCH	METRIC	3 PLACE ± .010	---	2 PLACE ± .015	± 0.25	1 PLACE ---	± 0.35	TITLE TERMINAL, MALE CRIMP			
INCH	METRIC												
3 PLACE ± .010	---												
2 PLACE ± .015	± 0.25												
1 PLACE ---	± 0.35												
DRAFT WHERE APPLICABLE MUST REMAIN WITHIN DIMENSIONS		MOLEX INCORPORATED LITSE,ILL. 60532 U.S.A.		SHEET NO. 1 DATE 10/30/86									
PART NO. 16-02-0077		DRWG. NO. SD-70021-0006											
DRWG. BY WJF	CHK'D. BY MJM	FILE NAME 570021X5 DGN	THIS DRAWING CONTAINS INFORMATION THAT IS PROPRIETARY TO MOLEX INC. AND SHOULD NOT BE USED WITHOUT WRITTEN PERMISSION.										
APP'D. BY WAZ	SCALE 10:1		DIV. DA	SIZE B									