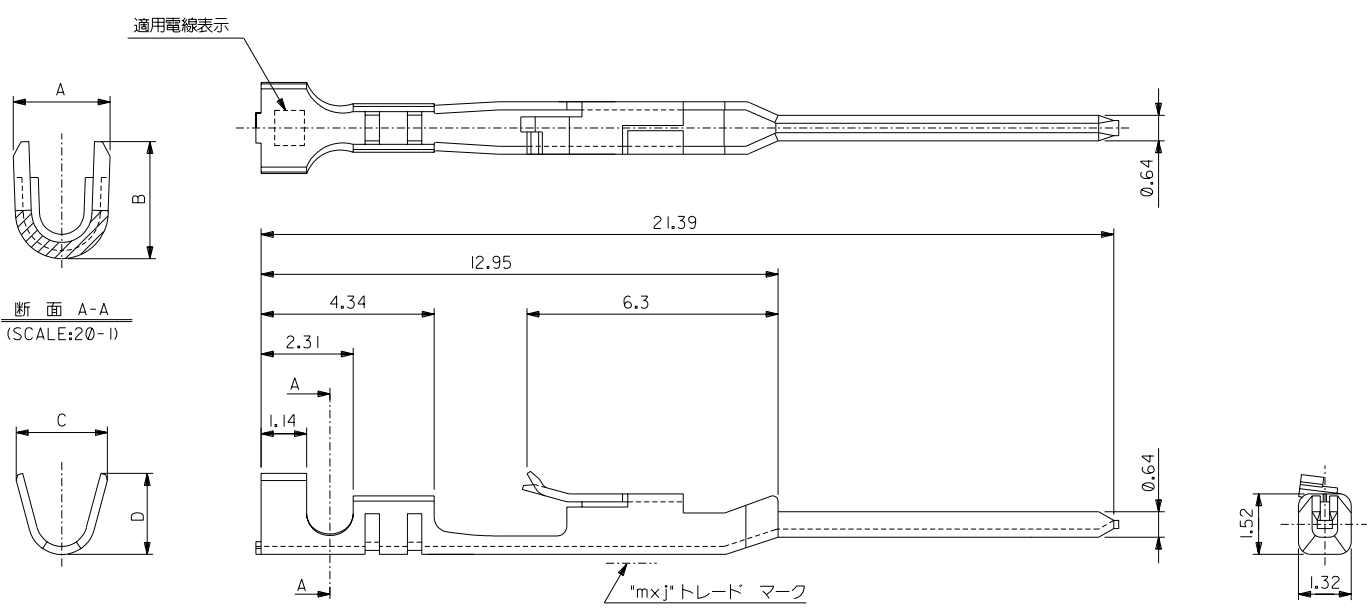


ENG. NO. 0-06  
SD-70021-0-23

EDP. NO. —

ALL DIMENSIONS IN METRIC DO NOT SCALE DRAWING

8 7 6 5 4 3 2 1



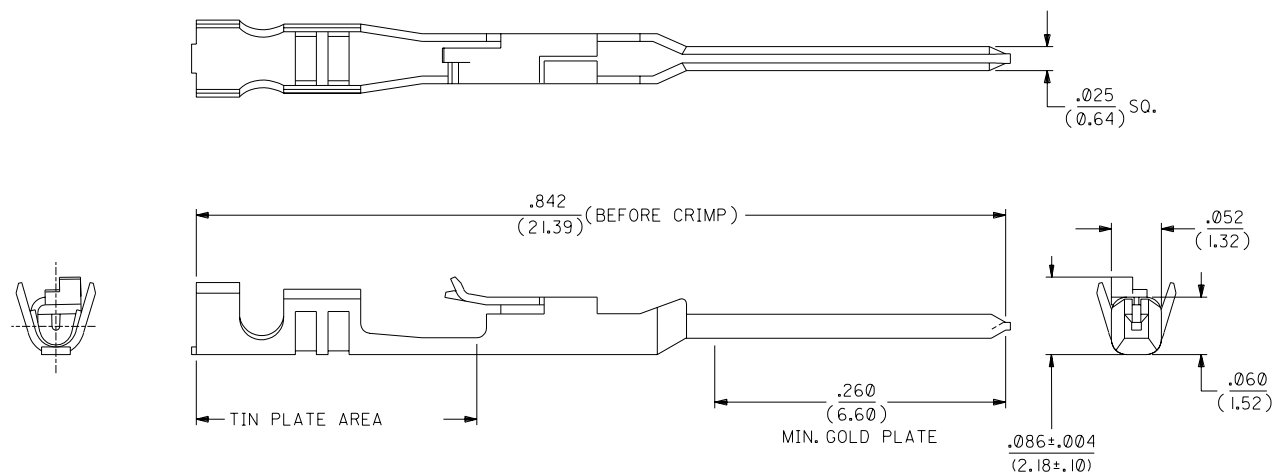
注記:

- 適合ハウジング: 70066-\*\*\*\*, 70107-\*\*\*\*
- メッキ仕様:
  - 接点部: 金メッキ, 0.38 μmMIN.
  - 圧着部: 錫メッキ, 1.91 μmMIN.
  - 下地メッキ: ニッケルメッキ, 1.27 μmMIN.

1.91	2.1	1.47	1.22	A	φ 1.6 MAX.	AWG#24-#30	連鎖状	70021-0006
1.91	2.1	1.65	1.84	C		AWG#22-#24	バラ状	70021-0223
D	C	B	A	適用電線表示	被覆外径	適用電線範囲	端子形状	MATERIAL No.
					材料 MATERIAL 磷青銅 t 0.203		molex MOLEX-JAPAN CO.,LTD. 日本モレックス株式会社	
					仕上げ FINISH 注記参照		EDP. NO. —	
角度 ANGLE	±3°	B	変更 (J2004-4519)	MS	04/05/13	適用電線範囲 WIRE RANGE 表参照	ENG. NO. SD-70021-0-06 0-23	REV B
30以上 OVER	±0.5	A	変更 (J060398)	MS	05/12/02	被覆外径 INS. RANGE 表参照	TITLE 名称 SL MALE CRIMP TERMINAL -LEAD FREE-	
10以上 30未満 OVER UNDER	±0.25	0	新規作成 (T00110)	MS	08/14/16			
10未満 UNDER	±0.2	記号 LTR	変更内容 REVISION RECORD	DR.	日付 CHK. DATE	DRAWN BY APPROV. BY SCALE 10-1		
一般公差 GENERAL TOLERANCES			REVISION RECORD					

THIS DRAWING CONTAINS INFORMATION THAT IS PROPRIETARY TO MOLEX/JAPAN AND SHOULD NOT BE USED WITHOUT WRITTEN PERMISSION  
本図面は日本モレックス(株)の所有する情報を含むもので 当社の許可なく複製を禁止する。 MXJ-8

10 9 8 7 6 5 4 3 2 1 70021 70021



**NOTES:**

1. TERMINAL FOR USE WITH HOUSING PART NO. 70066-\*\*\*\* & 70107-\*\*\*\*.
2. MATERIAL: .008/(0.20) THK. PHOSPHOR BRONZE.
3. TERMINAL TO BE USED WITH 22-24 AWG STRANDED WIRE WITH .064 DIA. MAX. INSULATION.
4. REFER TO MOLEX OPERATIONAL AND SERVICE MANUAL FOR DETAILS.
5. REFER TO PRODUCT SPECIFICATION NO. PS-70021.
6. PARTS SUPPLIED IN REEL FORM.

**PLATING:**

.000015 GOLD PLATE IN SELECT AREA.  
 .000075 MIN. TIN PLATE IN SELECT AREA.  
 OVER NICKEL PLATE.

\*THE PRIMARY SHIPPING CARTON WILL BE LABELED "COMPLIANT TO ROHS DIRECTIVE 2002/95/EC AND ELV ANNEX II OF DIRECTIVE 2000/53/EC". CARTONS WITHOUT THIS LABEL MAY CONTAIN PRODUCT WITH LEAD.

G	LEAD FREE UCP2004-1769 RWHITE 04/03/12
FI	REVISED ECR #U80270 MCGRATH 97/07/31
F	REVISED PLTG. SPEC. PER ECR # U31149 08/19/93 REED
E	REVISED PER ECR# U82220 11-07-88 MJM/MGB
D	REDRAWN ON CAD PER E.C.R. #9509 11/10/86 WJF/MJM

MFG.	SH.	REV.	LTR.	REVISIONS

MFG. SH. REV. LTR. REVISIONS

▽ = 0 ▼ = 0 REVISE ONLY ON CAD SYSTEM

TITLE  
**TERMINAL, MALE CRIMP**

MOLEX INCORPORATED SHEET NO. DATE  
LITTLEILL. 60932 U.S.A. 1 10/30/86

PART NO. DRWG. NO.  
**16-02-0081 SD-70021-0023**

DRWG. BY: WJF	CHK'D. BY: MJM
APP'D. BY: WAZ	SCALE 10:1

FILE NAME: 570021X23.DGN

THIS DRAWING CONTAINS INFORMATION THAT IS PROPRIETARY TO MOLEX INC. AND SHOULD NOT BE USED WITHOUT WRITTEN PERMISSION.

DIV. SIZE  
DA B

10 9 8 7 6 5 4 3 2 1