

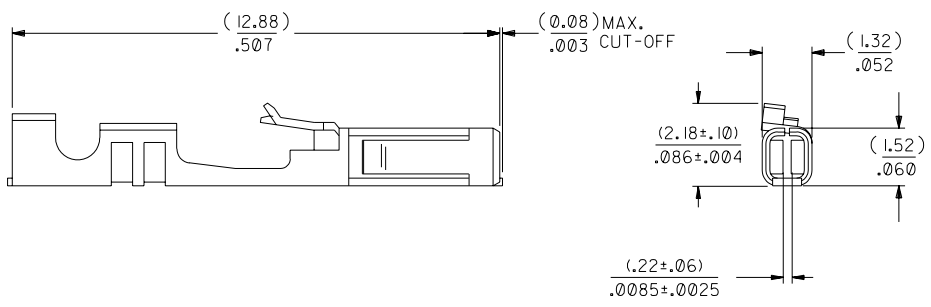
NOTES:

1. TERMINAL TO BE USED IN HOUSINGS 70066-**** AND 70450-****
2. REFER TO PRODUCT SPECIFICATION PS-70058
3. REFER TO MOLEX OPERATIONS AND SERVICE MANUAL FOR CRIMP DETAILS
4. TERMINAL TO BE USED WITH (0.64)/.025 SQUARE PINS
5. TERMINAL TO BE USED WITH 22-24 AWG STRANDED WIRE WITH (1.63)/.064 MAX. DIA. INSULATION
6. TERMINALS SUPPLIED IN REEL FORM
7. CRIMP SIZE INDICATOR C=22-24 AWG

*THE PRIMARY SHIPPING CARTON WILL BE LABELED *COMPLIANT TO RoHS DIRECTIVE 2002/95/EC AND ELV ANNEX II OF DIRECTIVE 2000/53/EC*. CARTONS WITHOUT THIS LABEL MAY CONTAIN PRODUCT WITH LEAD.

PLATING:

.000015 MIN. GOLD PLATE IN SELECT AREA,
.000075 MIN. TIN PLATE IN SELECT AREA,
OVER NICKEL PLATE OVERALL.



		DI		REVISED ECR #U80270 MCCRATH 97/07/31	DIMENSIONS SHOWN (METRIC) INCH UNLESS OTHERWISE SPECIFIED TOLERANCES: ANGULAR ± 1/2°		▽ = 0 ▼ = 0 REVISE ONLY ON CAD SYSTEM													
E		D		REVISE PER ECR# U82218 11-07-88 MJM/MGB	<table border="1"> <thead> <tr> <th></th> <th>INCH</th> <th>METRIC</th> </tr> </thead> <tbody> <tr> <td>3 PLACE</td> <td>± .005</td> <td>---</td> </tr> <tr> <td>2 PLACE</td> <td>± .01</td> <td>± 0.13</td> </tr> <tr> <td>1 PLACE</td> <td>---</td> <td>± 0.25</td> </tr> </tbody> </table>			INCH	METRIC	3 PLACE	± .005	---	2 PLACE	± .01	± 0.13	1 PLACE	---	± 0.25	TITLE TERMINAL - BOX/CRIMP	
	INCH	METRIC																		
3 PLACE	± .005	---																		
2 PLACE	± .01	± 0.13																		
1 PLACE	---	± 0.25																		
D2		C		REDRAWN & REVISED PER ECR #U81133 03/02/88 MJM/JAS	DRAFT WHERE APPLICABLE MUST REMAIN WITHIN DIMENSIONS		MOLEX INCORPORATED SHEET NO. DATE LITLÉ,ILL. 60932 U.S.A. 1 OF 1 03/02/88													
LTR.		LTR.		ADD CRP SIZE&NOTE 7 ECN UDT1998-0183 MOWANG 04/17/98	DRWG. BY: JAS CHK'D. BY: SCALE 10:1		PART NO. DRWG. NO. 016-02-0087 SD-70058-0024													
LTR.		LTR.		REVISIONS	APP'D. BY: SCALE 10:1		FILE NAME: S70058C5 DGN THIS DRAWING CONTAINS INFORMATION THAT IS PROPRIETARY TO MOLEX INC. AND SHOULD NOT BE USED WITHOUT WRITTEN PERMISSION. DIV. SIZE DA B													