

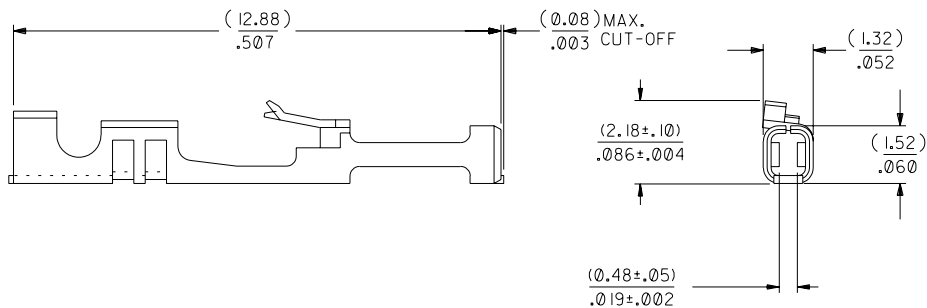
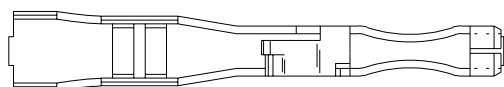
**NOTES:**

1. TERMINAL TO BE USED IN HOUSINGS 70066-\*\*\*\* AND 70450-\*\*\*\*
2. REFER TO PRODUCT SPECIFICATION PS-71851
3. REFER TO MOLEX OPERATIONS AND SERVICE MANUAL FOR CRIMP DETAILS
4. TERMINAL TO BE USED WITH (0.64)/.025 SQUARE PINS
5. TERMINAL TO BE USED WITH 22-24 AWG STRANDED WIRE WITH (1.63)/.064 MAX. DIA. INSULATION
6. TERMINALS SUPPLIED IN REEL FORM

**PLATING:**

.000150 MINIMUM TIN PLATE  
OVER NICKEL PLATE.

\*THE PRIMARY SHIPPING CARTON WILL BE LABELED "COMPLIANT TO ROHS DIRECTIVE 2002/95/EC AND ELV ANNEX II OF DIRECTIVE 2000/53/EC". CARTONS WITHOUT THIS LABEL MAY CONTAIN PRODUCT WITH LEAD.



		CI		REVISED ECR #U80270 MCGRATH 97/07/31	DIMENSIONS SHOWN (METRIC) INCH UNLESS OTHERWISE SPECIFIED TOLERANCES: ANGULAR ± 1/2°		▽ = 0 ▼ = 0 REVISE ONLY ON CAD SYSTEM													
		C		164 PLATING WAS 102 PER ECR # U31149 08/17/93 REED	<table border="1"> <thead> <tr> <th></th> <th>INCH</th> <th>METRIC</th> </tr> </thead> <tbody> <tr> <td>3 PLACE</td> <td>± .010</td> <td>---</td> </tr> <tr> <td>2 PLACE</td> <td>± .014</td> <td>± 0.25</td> </tr> <tr> <td>1 PLACE</td> <td>---</td> <td>± 0.35</td> </tr> </tbody> </table>			INCH	METRIC	3 PLACE	± .010	---	2 PLACE	± .014	± 0.25	1 PLACE	---	± 0.35	TITLE TERMINAL-BOX/CRIMP HIGH FORCE CONTACT	
	INCH	METRIC																		
3 PLACE	± .010	---																		
2 PLACE	± .014	± 0.25																		
1 PLACE	---	± 0.35																		
D		B		LEAD FREE UCP2004-1769 RWHITE 04/03/24	DRAFT WHERE APPLICABLE MUST REMAIN WITHIN DIMENSIONS		MOLEX INCORPORATED SHEET NO. DATE LITLÉ,ILL. 60932 U.S.A. I 03/25/88													
LTR.		LTR.		REVISE PER ECR #U80064 3/25/88 MJM	PART NO. DRWG. NO. 016-02-1110 SD-71851-0022		THIS DRAWING CONTAINS INFORMATION THAT IS PROPRIETARY TO MOLEX INC. AND SHOULD NOT BE USED WITHOUT WRITTEN PERMISSION.													
LTR.		LTR.		REVISIONS	DRWG. BY: MJM CHK'D. BY: MJM APP'D. BY: WAZ SCALE: 10:1		FILE NAME: S71851X3 DIV. SIZE: DA B													