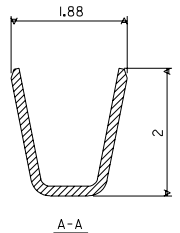
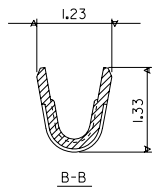
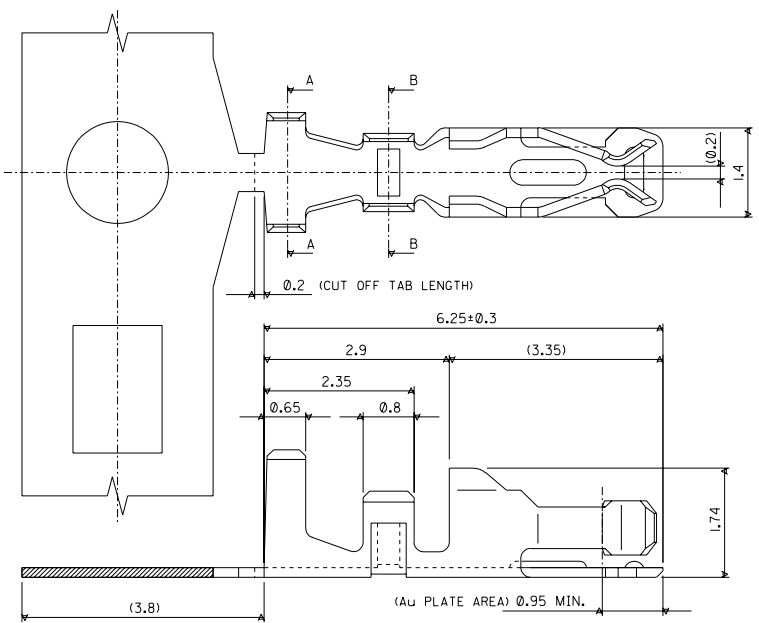


DWG. NO. SD 50394-8051
 CAD FILE S50394T.LDGN

DO NOT SCALE DRAWING

8 7 6 5 4 3 2 1



NOTES.

- 1. APPLICABLE HOUSING : 51110-***1
 : 51110-***5

GOLD FLASH 0.05-0.125 μm	50394-8400	50394-8054
0.38 Pd/Ni w/ GOLD FLASH	50394-8300	50394-8053
0.76	50394-8200	50394-8052
0.38	50394-8100	50394-8051
Au. PLATE THICK. (μm MIN.)	FORM:LOOSE	FORM:CHAIN
ENG.No.		

B	VOID PART NO. PER ECN S2004-0719	---	ANG	040223	MATERIAL : PHOSPHOR BRONZE (THK=0.152)	MOLEX SINGAPORE PTE LTD SHEET 1 OF 1
A2	ADD GOLD FLASH AS PER ECN*S2003-0030	---	NASH	02/07/12		
A1	ADD 0.38 Pd/Ni WITH GOLD FLASH AS PER PDR*98-01- 0267 (ECN*S1998-0364)	---	SEL	980312	FINISH : SEE NOTES	GENERAL TOLERANCES : 0.20/.008 REV B
A	REL AS PER ECN*	S40519	SO	940420	DRAWN BY S.O. 940420	TITLE : 2.0mm GRID W TO B CONN. CRIMP TERMINAL
LTR	REVISION RECORD	ECN	DR	940428		
REVISE ONLY ON CAD SYSTEM					APPR'D BY ROY 940428	SCALE 15:1

THIS DRAWING CONTAINS INFORMATION THAT IS PROPRIETARY TO MOLEX (S) PTE LTD AND SHOULD NOT BE USED WITHOUT WRITTEN PERMISSION