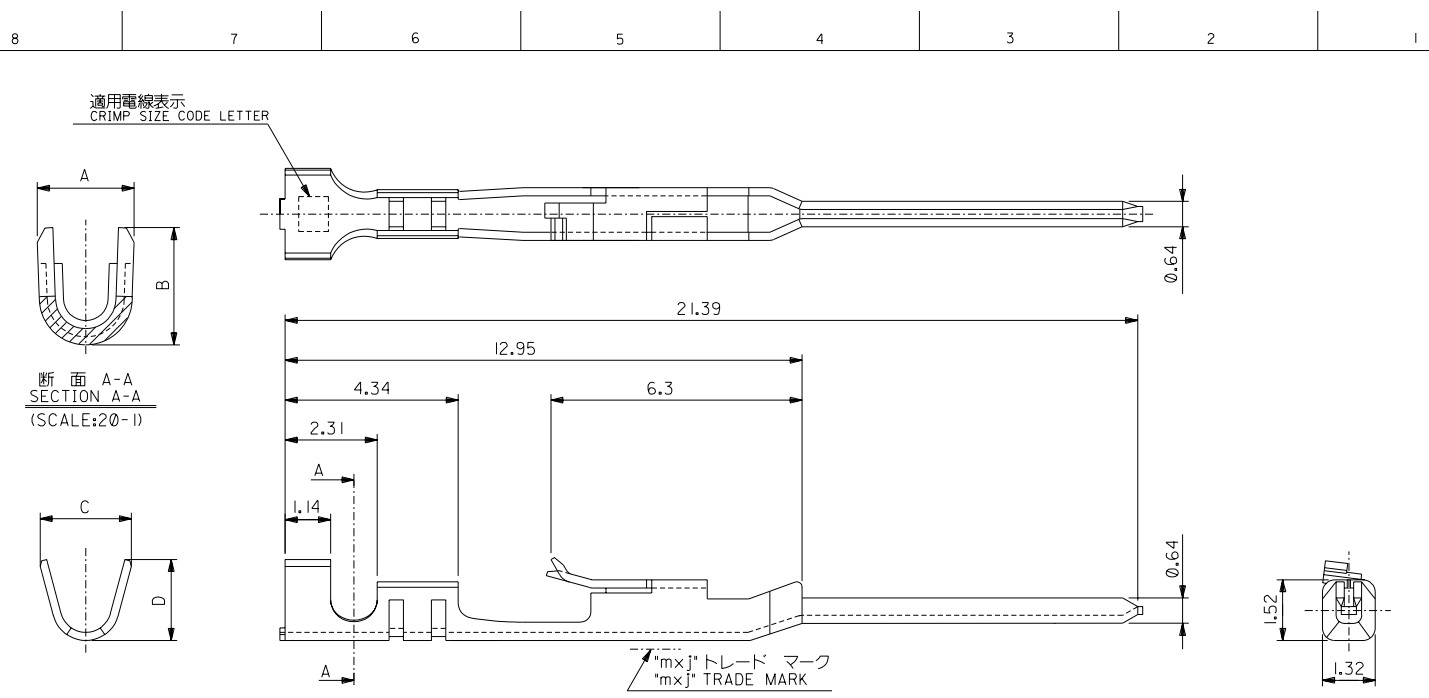


ENG. NO. 0-04  
SD-70021-0-21

EDP NO.

MM DIMENSIONS IN METRIC DO NOT SCALE DRAWING

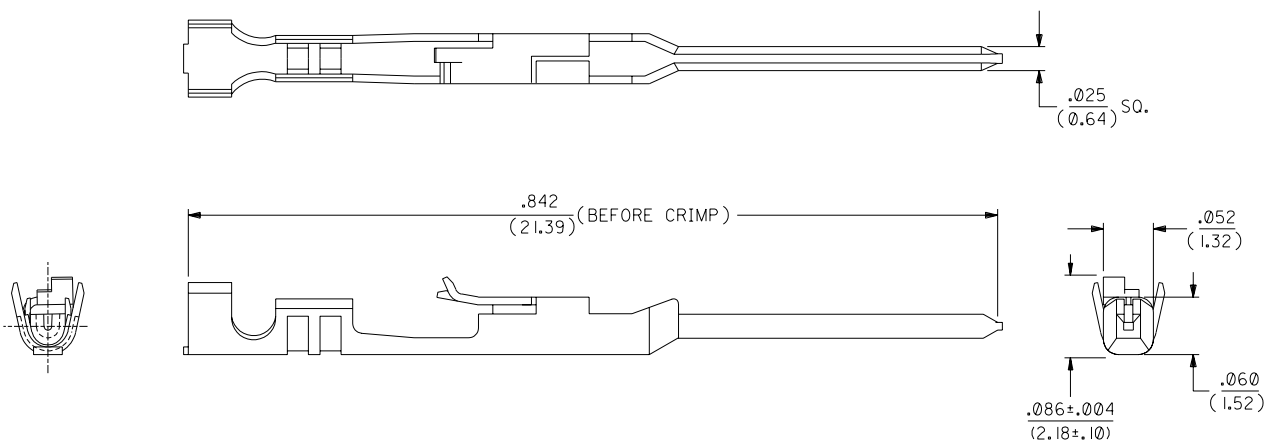


注記:  
NOTES:

- 適合ハウジング: 70066-\*\*\*\*, 70107-\*\*\*\*  
APPLICABLE HOUSING: 70066-\*\*\*\*, 70107-\*\*\*\*
- 仕上げ ニッケル下地、鍍メッキ  
FINISH TIN OVER NICKEL PLATING

1.91	2.1	1.47	1.22	A	MAX. Ø 1.6	AWC#24-#30	バラ状 LOOSE	70021-0204
1.91	2.1	1.65	1.84	C		AWC#22-#24	バラ状 LOOSE	70021-0221
D	C	B	A	通用電線表示 CRIMP SIZE CODE LETTER	被覆外径 INS. RANGE	適用電線範囲 WIRE RANGE	端子形状 FORM	MATERIAL No.
				材料 MATERIAL	磷青銅 PHOSPHOR BRONZE	MOLEX	MOLEX-JAPAN CO.,LTD. 日本モレックス株式会社	
				仕上げ FINISH	注記参照 SEE NOTES	EDP NO.	—	
角度 ANGLE	+3°	B	変更 REVISED (12004-45)B	MS	04/05/13	適用電線範囲 WIRE RANGE	表参照 SEE CHART	ENG. NO. SD-70021-0-04
30以上 OVER	+0.5	A	変更 REVISED (T20)B5)	MS	H.1	19/5/20	被覆外径 INS. RANGE	表参照 SEE CHART
10以上 30未満 OVER UNDER	+0.25	0	新規作成 RELEASED (T00)10)	MS	20/4/6		DRAWN BY CHK'D BY	REV B
10未満 UNDER	+0.2	記号 LTR	変更内容 REVISION RECORD	DR.	日付 CHK. DATE		APP'D BY SCALE	TITLE 名称 SL MALE CRIMP TERMINAL -LEAD FREE-
一般公差 GENERAL TOLERANCES			REVISION RECORD					

THIS DRAWING CONTAINS INFORMATION THAT IS PROPRIETARY TO MOLEX/JAPAN AND SHOULD NOT BE USED WITHOUT WRITTEN PERMISSION  
本図面は日本モレックス(株)の所有する情報を含むもので 当社の許可なく複製を禁止する。 MXJ-8



**NOTES:**

1. TERMINAL FOR USE WITH HOUSING PART NO. 70066-\*\*\*\* & 70107-\*\*\*\*.
2. MATERIAL: .008/(0.20) THK. PHOSPHOR BRONZE.
3. TERMINAL TO BE USED WITH 24-30 AWG STRANDED WIRE WITH .060 DIA. MAX. INSULATION.
4. REFER TO MOLEX OPERATIONAL AND SERVICE MANUAL FOR DETAILS.
5. REFER TO PRODUCT SPECIFICATION NO. PS-70021.
6. PARTS SUPPLIED IN REEL FORM.

**PLATING:**

.000150 MIN. TIN PLATE  
OVER NICKEL PLATE.

\*THE PRIMARY SHIPPING CARTON WILL BE LABELED "COMPLIANT TO RoHS DIRECTIVE 2002/95/EC AND ELV ANNEX II OF DIRECTIVE 2000/53/EC". CARTONS WITHOUT THIS LABEL MAY CONTAIN PRODUCT WITH LEAD.

D	LEAD FREE UCP2004-1769 RWHITE 04/03/12
CI	REVISED ECR #UB0270 MCGRATH 97/07/31
C	164 PLATING WAS 102 PER ECR # U31149 08/16/93 REED
B	REDRAWN ON CAD PER E.C.R. #9509 11/10/86 WJF/MJM

MFG.	SH.	REV.	LTR.	REVISIONS
				REVISE ONLY ON CAD SYSTEM

DIMENSIONS SHOWN (METRIC) INCH UNLESS OTHERWISE SPECIFIED TOLERANCES: ANGULAR ± 1/2°		TITLE TERMINAL, MALE CRIMP															
<table border="1"> <tr> <th>INCH</th> <th>METRIC</th> </tr> <tr> <td>3 PLACE ± .010</td> <td>---</td> </tr> <tr> <td>2 PLACE ± .015</td> <td>± 0.25</td> </tr> <tr> <td>1 PLACE ---</td> <td>± 0.35</td> </tr> </table>		INCH	METRIC	3 PLACE ± .010	---	2 PLACE ± .015	± 0.25	1 PLACE ---	± 0.35	<table border="1"> <tr> <td>MOLEX INCORPORATED</td> <td>SHEET NO. 1</td> <td>DATE 10/30/86</td> </tr> <tr> <td>LITTLE ROCK, AR 60532</td> <td>U.S.A.</td> <td></td> </tr> </table>		MOLEX INCORPORATED	SHEET NO. 1	DATE 10/30/86	LITTLE ROCK, AR 60532	U.S.A.	
INCH	METRIC																
3 PLACE ± .010	---																
2 PLACE ± .015	± 0.25																
1 PLACE ---	± 0.35																
MOLEX INCORPORATED	SHEET NO. 1	DATE 10/30/86															
LITTLE ROCK, AR 60532	U.S.A.																
DRAFT WHERE APPLICABLE MUST REMAIN WITHIN DIMENSIONS		PART NO. 16-02-0105															
DRWG. BY WJF		DRWG. NO. SD-70021-0004															
CHK'D. BY MJM		FILE NAME S70021X3															
APP'D. BY WAZ		SCALE 10:1															
		THIS DRAWING CONTAINS INFORMATION THAT IS PROPRIETARY TO MOLEX INC. AND SHOULD NOT BE USED WITHOUT WRITTEN PERMISSION.															
		DIV. DA	SIZE B														