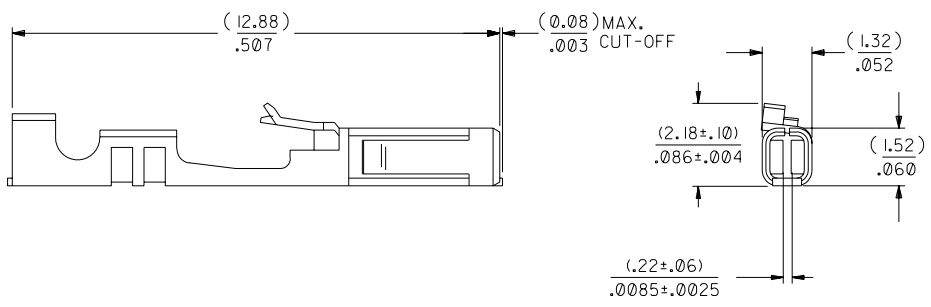


NOTES:

1. TERMINAL TO BE USED IN HOUSINGS 70066-**** AND 70450-****
 2. REFER TO PRODUCT SPECIFICATION PS-70058
 3. REFER TO MOLEX OPERATIONS AND SERVICE MANUAL FOR CRIMP DETAILS
 4. TERMINAL TO BE USED WITH (0.64)/.025 SQUARE PINS
 5. TERMINAL TO BE USED WITH 24-30 AWG STRANDED WIRE WITH (1.52)/.060 MAX. DIA. INSULATION
 6. TERMINALS SUPPLIED IN REEL FORM
 7. CRIMP SIZE INDICATOR A=24-30 AWG
- *THE PRIMARY SHIPPING CARTON WILL BE LABELED *COMPLIANT TO RoHS DIRECTIVE 2002/95/EC AND ELV ANNEX II OF DIRECTIVE 2000/53/EC*. CARTONS WITHOUT THIS LABEL MAY CONTAIN PRODUCT WITH LEAD.

PLATING:

.000150 MIN. TIN PLATE
OVER NICKEL PLATE.



REVISED ECR #U80270 MCCRATH 97/07/31		DIMENSIONS SHOWN (METRIC) INCH UNLESS OTHERWISE SPECIFIED TOLERANCES: ANGULAR ± 1/2°		▽ = 0 ▼ = 0 REVISE ONLY ON CAD SYSTEM													
F1	164 PLATING WAS 102 PER ECR # U31149 08/17/93 REED	<table border="1"> <thead> <tr> <th></th> <th>INCH</th> <th>METRIC</th> </tr> </thead> <tbody> <tr> <td>3 PLACE</td> <td>± .005</td> <td>---</td> </tr> <tr> <td>2 PLACE</td> <td>± .01</td> <td>± 0.13</td> </tr> <tr> <td>1 PLACE</td> <td>---</td> <td>± 0.25</td> </tr> </tbody> </table>			INCH	METRIC	3 PLACE	± .005	---	2 PLACE	± .01	± 0.13	1 PLACE	---	± 0.25	TITLE TERMINAL - BOX/CRIMP	
	INCH	METRIC															
3 PLACE	± .005	---															
2 PLACE	± .01	± 0.13															
1 PLACE	---	± 0.25															
G	LEAD FREE UCP2004-1769 RWHITE 04/03/11	DRAFT WHERE APPLICABLE MUST REMAIN WITHIN DIMENSIONS		MOLEX INCORPORATED SHEET NO. DATE LITSE,ILL. 60932 U.S.A. 1 OF 1 03/02/88													
F2	ADD. CRP. SIZE & NOTE 7 ECN UDT1998-0103 MOWANG 04/16/98	REDRAWN & REVISED PER ECR #U81133 03/02/88 MJM/JAS		PART NO. 016-02-0069 SD-70058-0004													
LTR.	REVISIONS	LTR.	REVISIONS	FILE NAME S70058A3 DGN	THIS DRAWING CONTAINS INFORMATION THAT IS PROPRIETARY TO MOLEX INC. AND SHOULD NOT BE USED WITHOUT WRITTEN PERMISSION.												
				DRWG. NO. DA	SIZE B												
				DRWG. BY WAZ													
				CHK'D. BY MJM													
				SCALE 10:1													