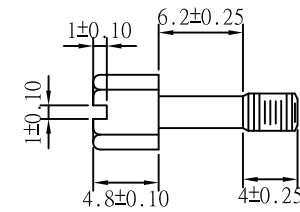
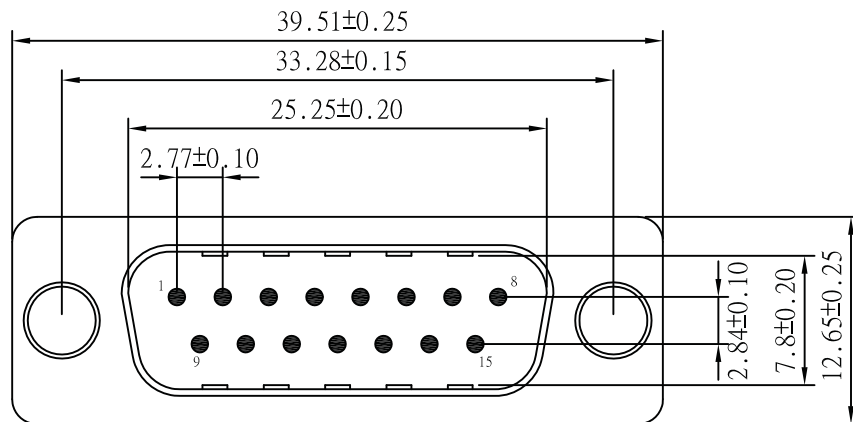
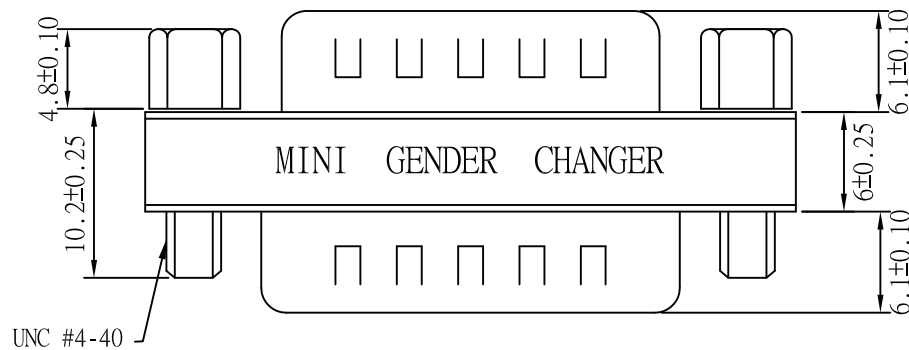


UNC #4-40 Hexscrew



Pin Out

15P-Male	15P-Male
1	1
2	2
14	14
15	15
G	G



Material:

- Insulator: PBT Glass fibre reinforced UL 94 V0
- Contact: Brass
- Contact plating: Gold plated over nickel
- Shell: Tin plated shell
- Yellow label with black characters

Unit: MM



ITEM NO.	AB412-R
TITLE	Mini Gender Changer - DSub 15Pin Male <=> DSub 15 Pin Male

ASSMANN
Electronics, Inc.

1840 W. Drake Drive, Suite 101 • Tempe, AZ 85283
Toll Free: 1-877-277-6266 • Email: info@usa-assmann.com

THIS DRAWING IS UNPUBLISHED
©Copyright 2011 by Assmann Electronic Components
All International Rights Reserved