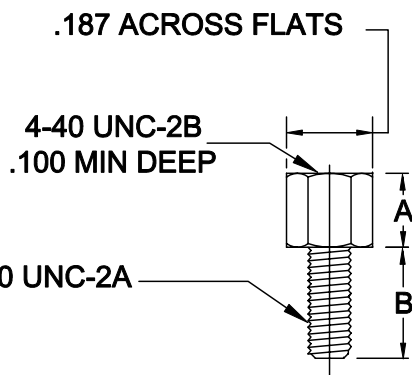


DESCRIPTION: **4-40 FEMALE SCREWLOCKS**




MATERIAL: STEEL

KIT INCLUDES:

- (1) 4-40 FEMALE SCREWLOCK
- (2) FLAT WASHERS
- (1) LOCK WASHER
- (1) 4-40 NUT

PART NUMBER		A	B	PLATING
160-000-010-041	KIT	0.187	0.312	YELLOW CHROMATE
160-000-010-042	BULK	0.187	0.312	YELLOW CHROMATE
160-000-011-041	KIT	0.187	0.625	YELLOW CHROMATE
160-000-011-042	BULK	0.187	0.625	YELLOW CHROMATE
160-000-012-041	KIT	0.250	0.156	YELLOW CHROMATE
160-000-012-042	BULK	0.250	0.156	YELLOW CHROMATE
160-000-013-041	KIT	0.197	0.197	YELLOW CHROMATE
160-000-013-042	BULK	0.197	0.197	YELLOW CHROMATE
160-000-014-041	KIT	0.197	0.236	YELLOW CHROMATE
160-000-014-042	BULK	0.197	0.236	YELLOW CHROMATE
160-000-015-041	KIT	0.197	0.323	YELLOW CHROMATE
160-000-015-042	BULK	0.197	0.323	YELLOW CHROMATE
160-000-016-041	KIT	0.197	0.433	YELLOW CHROMATE
160-000-016-042	BULK	0.197	0.433	YELLOW CHROMATE
160-000-017-041	KIT	0.197	0.520	YELLOW CHROMATE
160-000-017-042	BULK	0.197	0.520	YELLOW CHROMATE
160-000-018-041	KIT	0.197	0.669	YELLOW CHROMATE
160-000-018-042	BULK	0.197	0.669	YELLOW CHROMATE

 NorComp	<small>THESE DRAWINGS AND SPECIFICATIONS ARE THE PROPERTY OF NorComp AND SHALL NOT BE REPRODUCED, COPIED OR USED AS THE BASIS FOR THE MANUFACTURE OF SALE OF APPARATUS WITHOUT WRITTEN PERMISSION.</small>		<small>DRAWN:</small> WAYNE ROBBINS	<small>DATE:</small> 8-23-98
			<small>CHECKED:</small> PAM JENKINS	<small>DATE:</small> 8-24-98
	<small>SCALE:</small>	<small>SHEET</small> 1 <small>OF</small> 1	<small>REV</small> 5	
		<small>DWG NO.</small> 160-000-01X-0X1		