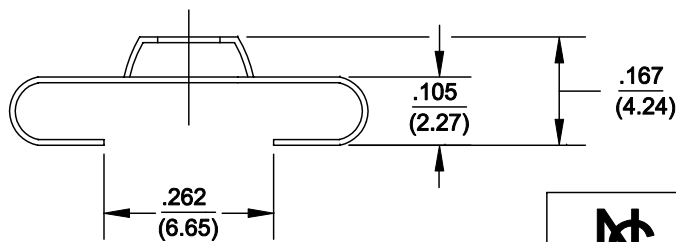
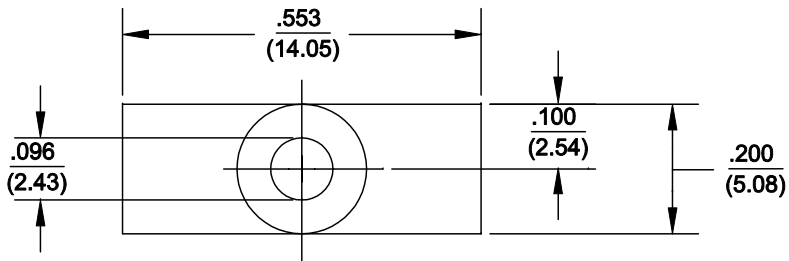
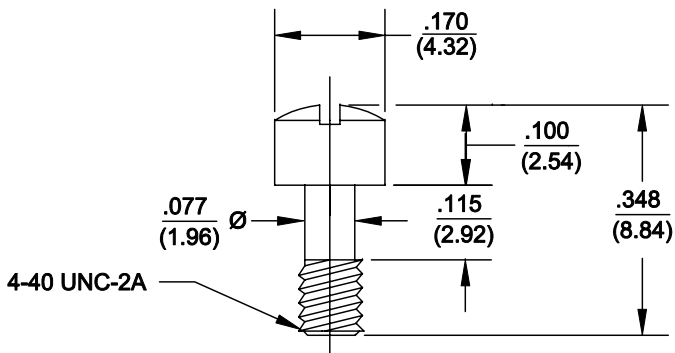


DESCRIPTION: 4-40 MALE SCREWLOCK



| | SCREW | CLIP | |
|------------------------|--------------|-------------|-----------------|
| PART NUMBER | PART NUMBER | PART NUMBER | PLATING |
| KIT = 160-000-001-041 | SSH-440-1-YC | RSO-1-YC | YELLOW CHROMATE |
| BULK = 160-000-001-042 | SSH-440-1-YC | RS0-1-YC | YELLOW CHROMATE |
| KIT = 160-000-001-051 | SSH-440-1-T | RSO-1-T | NICKEL |
| BULK = 160-000-001-052 | SSH-440-1-T | RS0-1-T | NICKEL |

KIT TO INCLUDE IN SEALED BAG:
2 SCREWS
2 CLIPS



THESE DRAWINGS AND SPECIFICATIONS ARE THE PROPERTY OF NorComp AND SHALL NOT BE REPRODUCED, COPIED OR USED AS THE BASIS FOR THE MANUFACTURE OF SALE OF APPARATUS WITHOUT WRITTEN PERMISSION.

DRAWN: WAYNE ROBBINS DATE: 9-14-98

CHECKED: DATE:

NorComp

SCALE: 1:4 SHEET 1 OF 1 REV 2

DWG NO. 160-000-001-0XX