

4

3

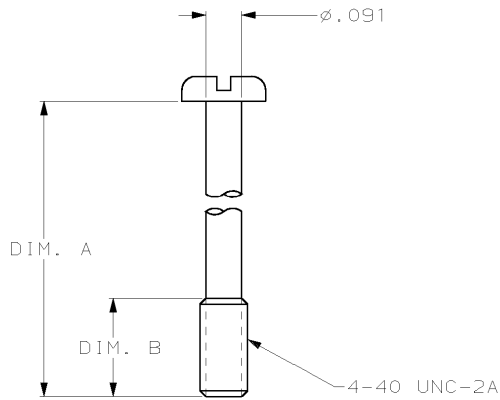
2

1

THIS DRAWING IS UNPUBLISHED. RELEASED FOR PUBLICATION .19  
 © COPYRIGHT 19 BY AMP INCORPORATED. ALL RIGHTS RESERVED.

LOC		DIST		REVISIONS			
P	LTR	DESCRIPTION		DATE	DWN	APVD	
	H	REVISED; EC OUF0-0046-01		11MAY01	DLDEWB		

- 1. MATERIAL: ZINC PLATED STEEL.
- 2. ALL DIMENSIONS SHOWN ARE FOR REFERENCE ONLY UNLESS OTHERWISE SPECIFIED.



.100	.265	229996-4
.100	.350	229996-3
.100	.425	229996-2
DIM. B	DIM. A	PART NUMBER

THIS DRAWING IS A CONTROLLED DOCUMENT.		DWN A. HOLT 01 JUN 78	AMP Incorporated Harrisburg, PA 17105-3608																												
DIMENSIONS: INCHES		CHK R. E. REICH 01 JUN 78	NAME S. HEGE 02 JUN 78																												
<table border="1"> <thead> <tr> <th colspan="2">DIMENSIONS:</th> <th colspan="2">TOLERANCES UNLESS OTHERWISE SPECIFIED.</th> </tr> </thead> <tbody> <tr> <td>0 PLC</td> <td>±-</td> <td></td> <td></td> </tr> <tr> <td>1 PLC</td> <td>±-</td> <td></td> <td></td> </tr> <tr> <td>2 PLC</td> <td>±-</td> <td></td> <td></td> </tr> <tr> <td>3 PLC</td> <td>±-</td> <td></td> <td></td> </tr> <tr> <td>4 PLC</td> <td>±-</td> <td></td> <td></td> </tr> <tr> <td>ANGLES</td> <td>±-</td> <td></td> <td></td> </tr> </tbody> </table>		DIMENSIONS:		TOLERANCES UNLESS OTHERWISE SPECIFIED.		0 PLC	±-			1 PLC	±-			2 PLC	±-			3 PLC	±-			4 PLC	±-			ANGLES	±-			PRODUCT SPEC -	
DIMENSIONS:		TOLERANCES UNLESS OTHERWISE SPECIFIED.																													
0 PLC	±-																														
1 PLC	±-																														
2 PLC	±-																														
3 PLC	±-																														
4 PLC	±-																														
ANGLES	±-																														
MATERIAL		SIZE A3	CAGE CODE 00779	DRAWING NO. C- 229996																											
FINISH -		RESTRICTED TO -		REVISIONS SCALE 4:1 SHEET 1 OF 1 REV H																											
CUSTOMER DRAWING																															