

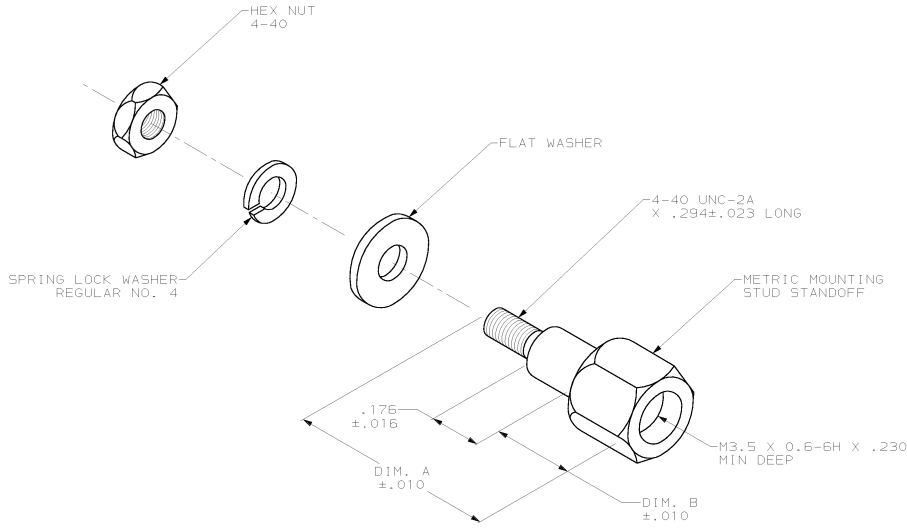
THIS DRAWING IS UNPUBLISHED. RELEASED FOR PUBLICATION BY AMP INCORPORATED. ALL RIGHTS RESERVED.

LOC	REV	DATE	DESCRIPTION	DATE	BY	APP'D
AA	20					
	J		REVISED PER EC 0515-0411-02	25NOV02	DD	RM

REVISIONS

⚠ MATERIAL: METRIC MOUNTING STUD - BLACK OXIDE COATED CARBON STEEL.
WASHER, LOCKWASHER AND HEX NUT - ZINC PLATED STEEL.

2. ALL HARDWARE SHIPPED UNASSEMBLED.



.193	.688	553636-3
.256	.750	553636-2
DIM. B	DIM. A	PART NUMBER

THIS DRAWING IS A CONTROLLED DOCUMENT.		DATE: 19-NOV-01	BY: C.B. HOLT	APP'D: 25-NOV-01	REV: 20	AMP TYCO Electronics Harrisburg, PA 17105-3608	
DIMS IN: INCHES		DESIGNED BY: J.L. FRIEL		CHECKED BY: J.C. HURGE		HARDWARE KIT, SHIELDED, CHAMP LATCH	
MATERIAL: ZINC PLATED STEEL		APPLICATION SPEC: -		SCALE: 4:1		SHEET 1 OF 1	
PART NUMBER: 553636		REV: J		CUSTOMER DRAWING		RESTRICTED TO: -	

553636