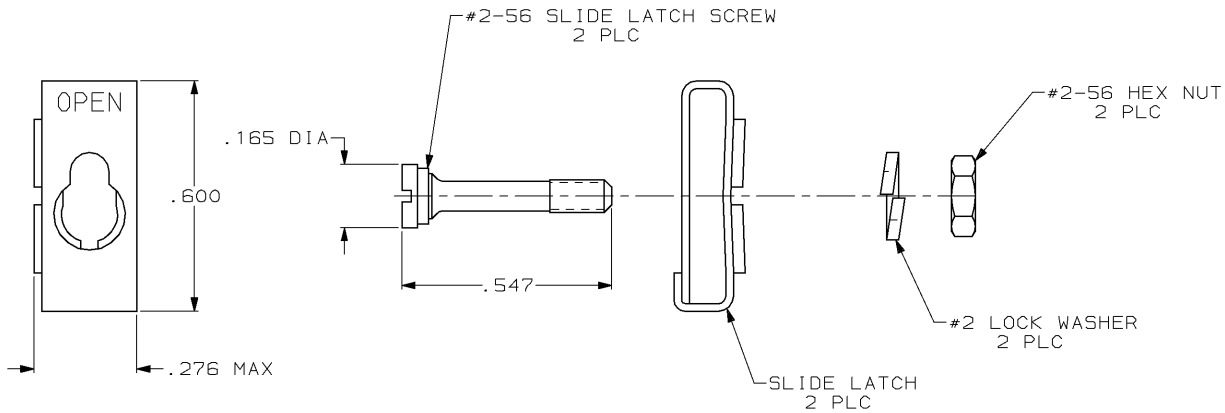


DRAWING MADE IN THIRD ANGLE PROJECTION

THIS DRAWING IS UNPUBLISHED. RELEASED FOR PUBLICATION, 19 .
 © COPYRIGHT 19 BY AMP INCORPORATED. ALL INTERNATIONAL RIGHTS RESERVED.

LOC	DIST	REVISIONS				
P	F	ZONE	LTR	DESCRIPTION	DATE	APPD
BD	48		A	REVISED & REDRAWN PER ECN 2364	08/16/88	JLS
			B	OBS -2 PER EC 0020-1514-93	04/15/94	LF



- 1. PARTS PACKAGED UNASSEMBLED.
- 2. PARTS PACKAGED AS A UNIT KIT.
- 3. PARTS INDIVIDUALLY BULK PACKED & SHIPPED AS A UNIT PACKAGE.
- 4. ZINC PLATED PER ASTM B633, TYPE III, CLASS SCI, CLEAR CHROMATE.
- 5. THIS KIT CAN BE USED WITH TWO-PIECE STRAIGHT/90° EXIT CABLE CLAMPS, RF1/EMI CABLE CLAMPS, AND UNIVERSAL CABLE CLAMPS.

OBsolete	4	#2-56	3	748078-2
3	4	#2-56	2	748078-1

		HARDWARE FINISH	THREAD TYPE	PACKAGING	PART NO	
DO NOT SCALE PRINT. UNLESS SPECIFIED DIMENSIONS IN INCHES TOLERANCES ON:		DR 08-04-88		AMP INCORPORATED Harrisburg, Pa. 17105	KIT, TWO-PIECE SLIDE LATCH, SIZES 1 THRU 4, AMPLIMITE ®	
2 PLC DEC ± .005		CHK 08-04-88				
ANGLES ± -		M.S. LENKER				
MATERIAL		APPD 08-16-88				
SLIDE LATCH: STAINLESS		R. MYRE				
STEEL		APPD 08-16-88		SIZE	FSCN NO	DRAWING NO
HARDWARE: STEEL PER		J. SHOWERS		B	00779	748078
ASTM A108		PRODUCT SPEC		SCALE	4:1	SHEET
FINISH		APPLICATION SPEC				1 OF 1
HARDWARE: SEE TABLE		WEIGHT				

AMP 1470-15 REV 3-87
 15-APR-94 15:44:40 amp35397 /files/wlp/amp35397/edmod

CUSTOMER DRAWING